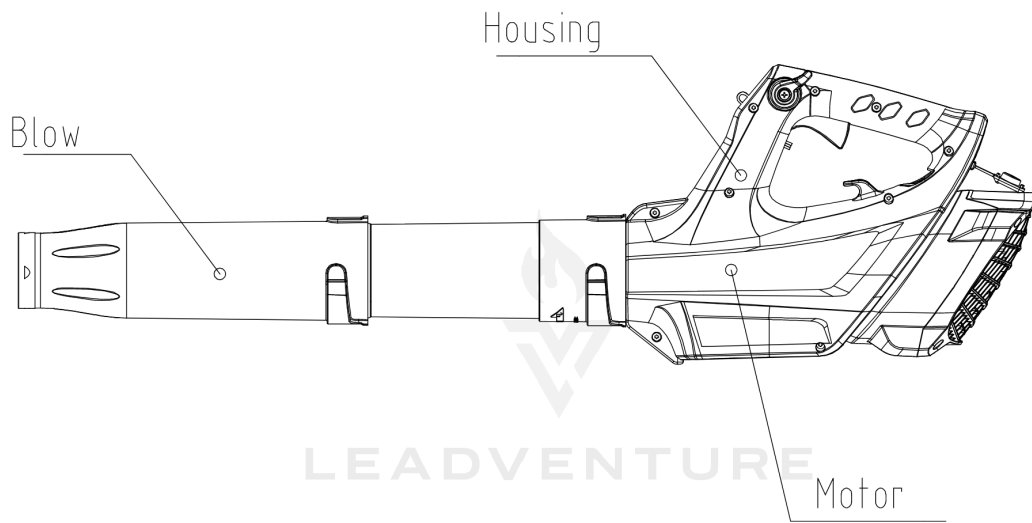


82V Hand Held Blower 82B16  
2401186

# TABLE OF CONTENTS

01 Overview .....	3
02 Housing .....	5
03 Motor & PCB .....	7
04 Blower Tube .....	9

### 01 Overview



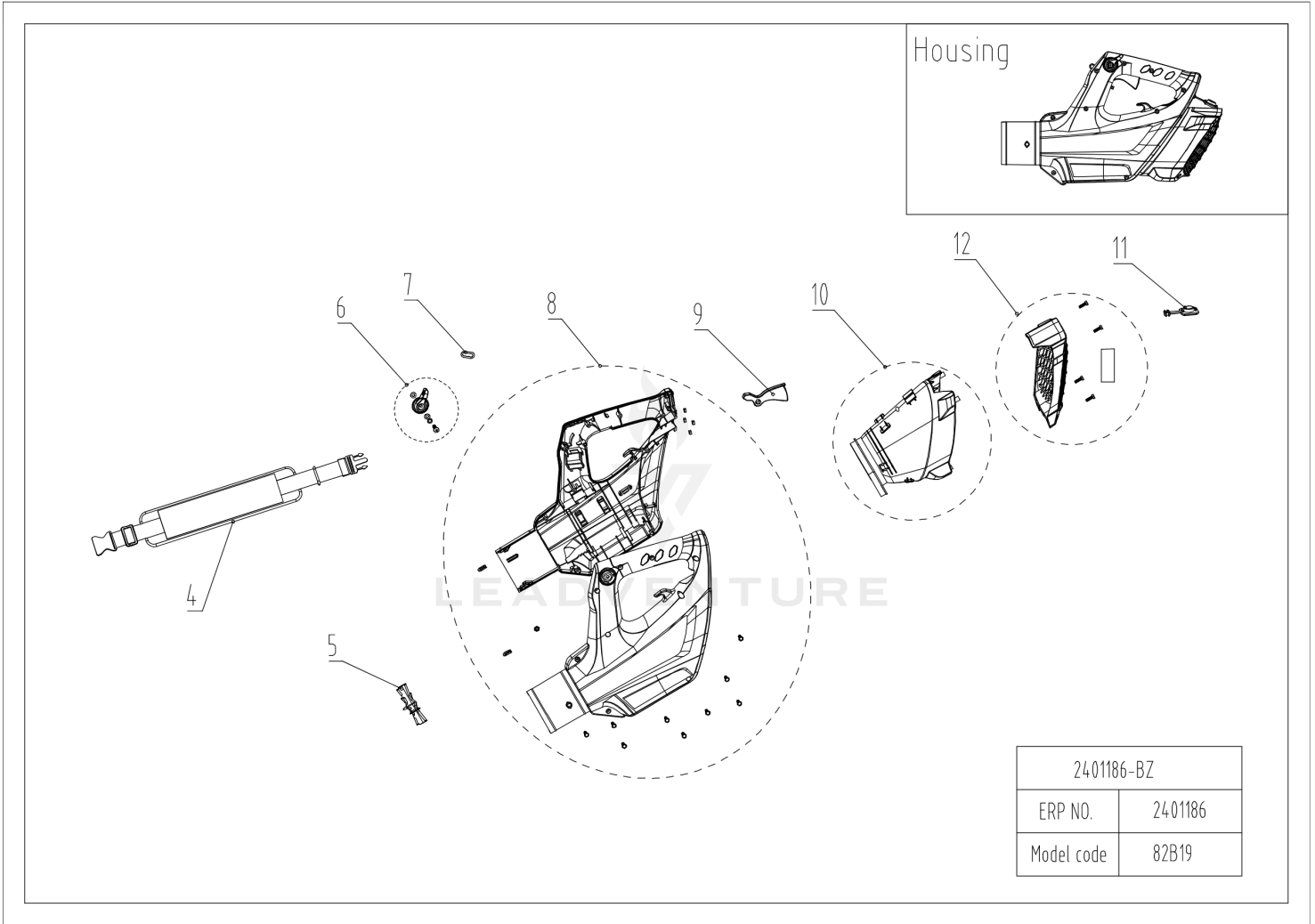
2401186-BZ	
ERP NO.	2401186
Model code	82B19

Rendered by LeadVenture, Inc.

01 Overview

<b>Ref Number</b>	<b>Part Number</b>	<b>Part Description</b>	<b>Context Notes</b>	<b>Quantity</b>
-------------------	--------------------	-------------------------	----------------------	-----------------

## 02 Housing

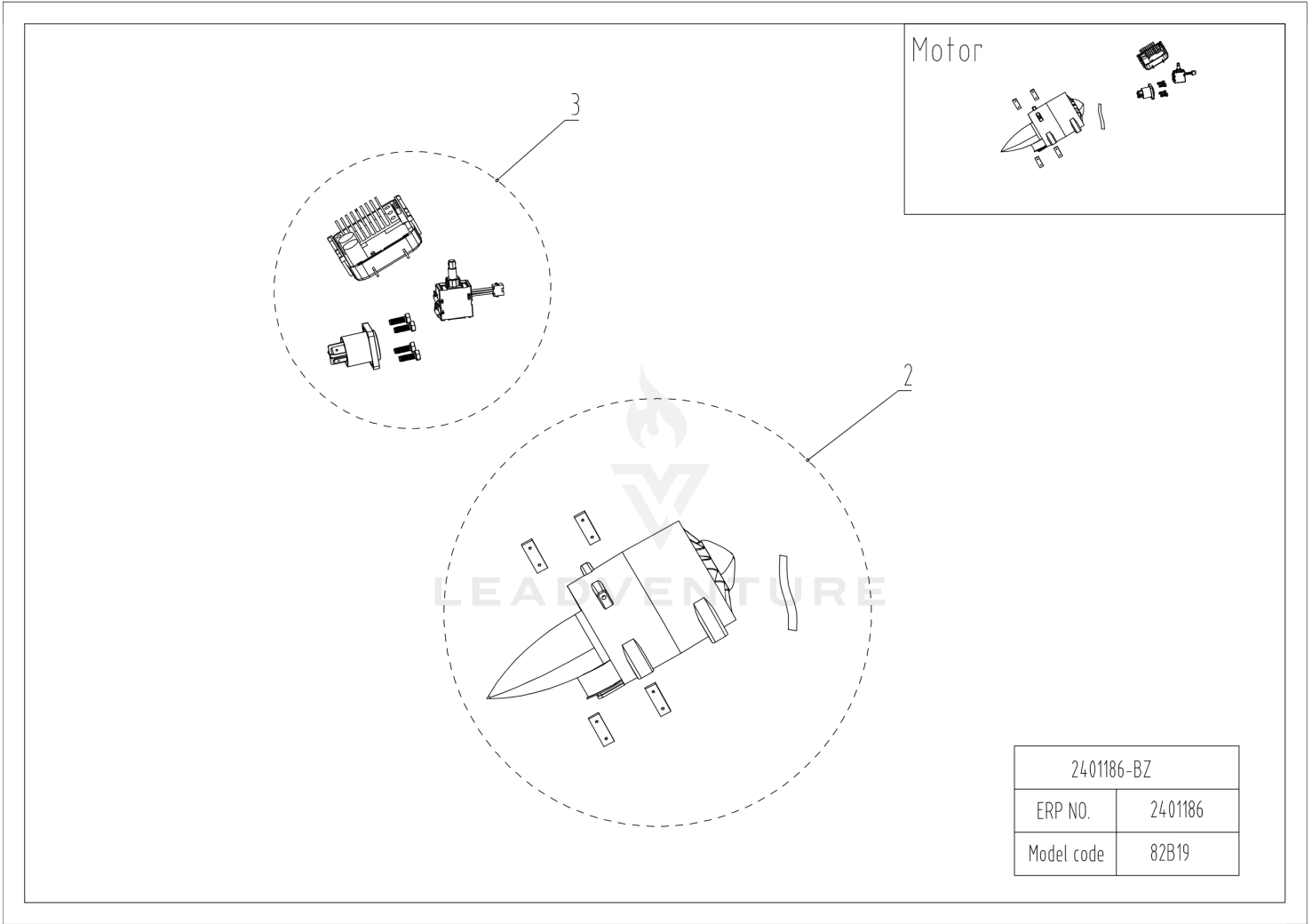


Rendered by LeadVenture, Inc.

## 02 Housing

<b>Ref Number</b>	<b>Part Number</b>	<b>Part Description</b>	<b>Context Notes</b>	<b>Quantity</b>
4	R0102050-00	Harness Assembly	Set	1
5	RA341021816B	Cross assembly	Set	1
6	R0102051-00	Housing Assembly	Set	1
7	R0102052-00	Hook Assembly	Set	1
8	R0102053-00	Cruise Control Knob Assembly	Set	1
9	RA341031816M	Switch trigger assembly.	Set	1
10	R0100667-00	Collecting HoodAssembly	Set	1
11	R0102054-00	Waterproofed Assembly	Set	1
12	RA341031807C	inlet guard assembly	Set	1

### 03 Motor & PCB



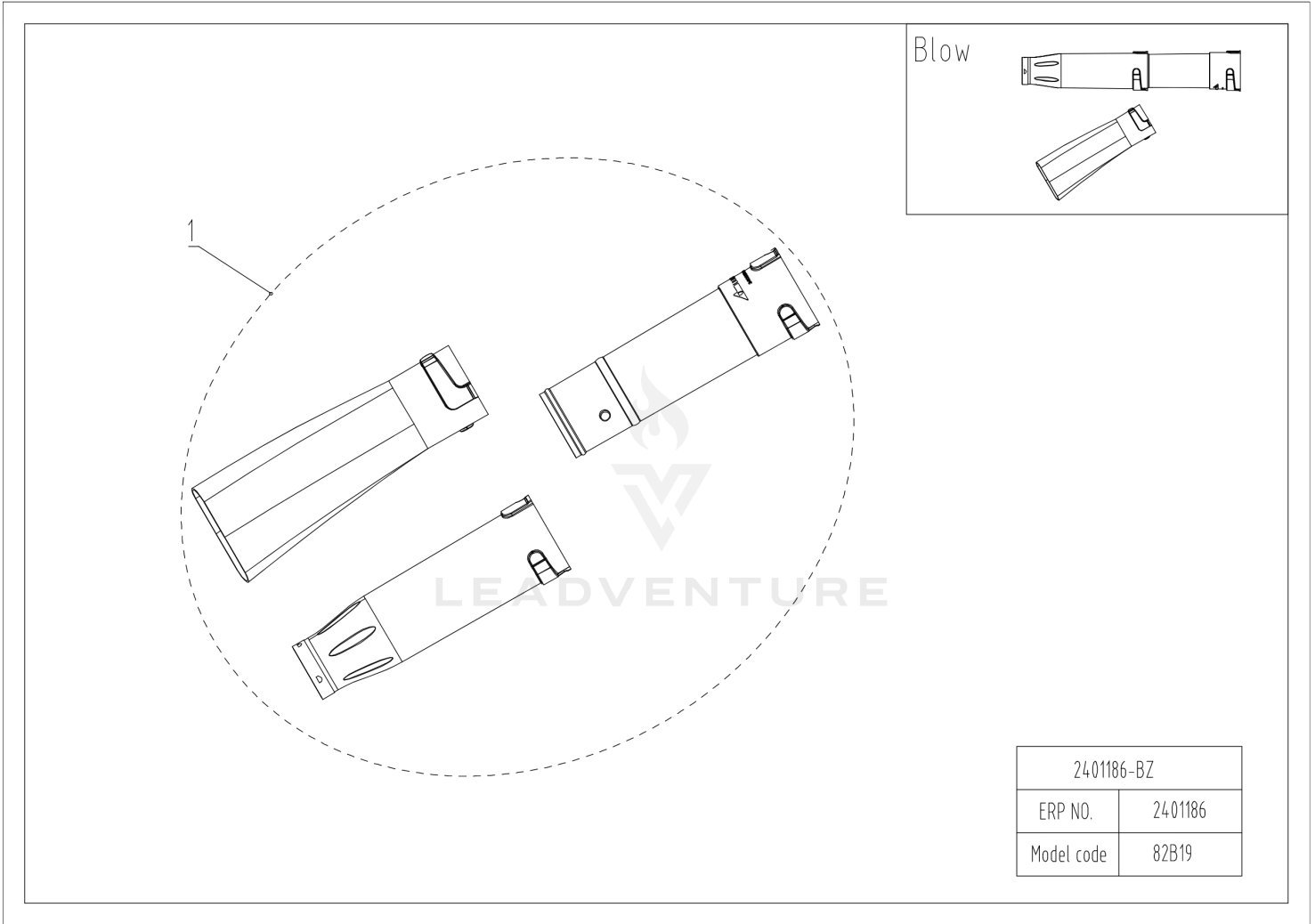
Rendered by LeadVenture, Inc.

## 03 Motor &amp; PCB

<b>Ref Number</b>	<b>Part Number</b>	<b>Part Description</b>	<b>Context Notes</b>	<b>Quantity</b>
2	R0102049-00	Fan Motor Assembly	Set	1
3	R0102048-00	PCBA Assembly	Set	1



### 04 Blower Tube



Rendered by LeadVenture, Inc.

04 Blower Tube

<b>Ref Number</b>	<b>Part Number</b>	<b>Part Description</b>	<b>Context Notes</b>	<b>Quantity</b>
1	R0100666-00	Blow Pipe Assembly	Set	1