

2024 82ZT107 7400686

# TABLE OF CONTENTS

|   |    |
|---|----|
| LABELS-WARNING/SAFETY .....               | 3  |
| LABELS-BRAND/MODEL .....                  | 5  |
| LABELS-FUNCTION .....                     | 7  |
| FRAME ASSEMBLY .....                      | 9  |
| BATTERY COVER .....                       | 12 |
| BATTERY-CHARGER .....                     | 14 |
| CONTROLLERS .....                         | 18 |
| WIRE HARNESS .....                        | 20 |
| SWITCHES-METER-GPS .....                  | 22 |
| LIGHTS .....                              | 24 |
| DECK, MOTORS AND BLADES (DISCHARGE) ..... | 26 |
| DECK ASSEMBLY .....                       | 28 |
| DISCHARGE CHUTE .....                     | 30 |
| DECKLIFT ASSEMBLY .....                   | 32 |
| REAR WHEELS .....                         | 35 |
| FRONT WHEELS .....                        | 37 |
| DRIVE MOTOR AND TRANSMISSION .....        | 39 |
| SEAT .....                                | 41 |
| CONTROL ARMS .....                        | 43 |
| CONTROL ARM SUB ASSEMBLY (RH) .....       | 45 |
| CONTROL ARM SUB ASSEMBLY (LH) .....       | 48 |

## 01 Labels

LABELS-WARNING/SAFETY

LABELS-WARNING/SAFETY

**⚠ DANGER** FOR SAFE OPERATION, READ AND UNDERSTAND THE INSTRUCTION MANUAL TO REDUCE THE RISK OF INJURY. ALWAYS WEAR EYE PROTECTION. STORE INDOORS, DO NOT EXPOSE TO RAIN AND WATER, AVOID DIRECT SUNSHINE. DO NOT OPERATE ON INCLINES GREATER THAN 15°. MOW ACROSS THE FACE OF SLOPES, NEVER UP AND DOWN. BEFORE AND WHILE BACKING, LOOK BEHIND AND DOWN. NEVER CARRY CHILDREN OR ANYONE EVEN WHEN THE BLADES ARE OFF. KEEP CHILDREN OUT OF THE MOWING AREA AND UNDER THE WATCHFUL CARE OF A RESPONSIBLE ADULT OTHER THAN THE OPERATOR. PAY ATTENTION THAT BYSTANDERS ARE NOT INJURED THROUGH FOREIGN OBJECTS THROWN FROM THE MOWER. KEEP ALL BYSTANDERS AT LEAST 100 FT. AWAY. DO NOT REACH HANDS OR FEET UNDER MOWER DECK. TO REDUCE THE RISK OF ELECTRIC SHOCK, DO NOT EXPOSE TO RAIN, WATER OR EXCESSIVE MOISTURE. STORE INDOORS, TO REDUCE THE RISK OF FIRE, EXPLOSION AND/OR BURNS, INCLUDING CHEMICAL BURNS, DO NOT DISASSEMBLE, CRUSH, HEAT ABOVE 212°F (100°C), EXPOSE TO FIRE OR INCINERATE.

15-01 R0102670-00

**⚠ DANGER** POUR UNE UTILISATION EN TOUTE SÉCURITÉ, LISEZ ET COMPRENEZ LE MANUEL D'INSTRUCTIONS. POUR RÉDUIRE LE RISQUE DE BLESSURE, PORTEZ TOUJOURS DES LUNETTES DE PROTECTION. RANGEZ LA TONDEUSE À L'INTÉRIEUR, NE L'EXPOSEZ PAS À LA PLUIE OU À L'EAU ET ÉVITEZ UNE EXPOSITION DIRECTE AU SOLEIL. NE FAITES PAS FONCTIONNER L'APPAREIL SUR UNE INCLINAISON SUPÉRIEURE À 15°. TONDEZ PERPENDICULAIREMENT À LA PENTE, JAMAIS VERS LE HAUT NI VERS LE BAS. AVANT ET PENDANT LA MARCHÉ ARRIÈRE, REGARDEZ DERRIÈRE VOUS ET VERS LE BAS. NE PORTEZ JAMAIS D'ENFANTS OU DE PERSONNES MÊME LORSQUE LES LAMES SONT HORS D'USAGE. GARDER LES ENFANTS HORS DE LA ZONE DE TONTE ET SOUS LA SURVEILLANCE D'UN ADULTE RESPONSABLE AUTRE QUE L'OPÉRATEUR. VEILLEZ À CE QUE LES PERSONNES PRÉSENTES NE SOIENT PAS BLESSÉES PAR DES CORPS ÉTRANGERS PROJÉTÉS PAR LA TONDEUSE. ASSUREZ-VOUS DE GARDER TOUS LES PASSANTS À UNE DISTANCE D'AU MOINS 100 PIEDS (30 M). NE METTEZ PAS LES MAINS OU LES PIEDS SOUS LE PLATEAU DE COUPE. POUR RÉDUIRE LE RISQUE DE CHOC ÉLECTRIQUE, N'EXPOSEZ PAS L'APPAREIL À LA PLUIE, À L'EAU OU À UNE HUMIDITÉ EXCESSIVE. RANGEZ-LE À L'INTÉRIEUR, POUR RÉDUIRE LES RISQUES D'INCENDIE, D'EXPLOSION ET/OU DE BRÛLURES, Y COMPRIS LES BRÛLURES CHIMIQUES, NE DÉMONTÉZ PAS L'APPAREIL, NE L'ÉCRASEZ PAS, NE LE CHAUFFEZ PAS À PLUS DE 212°F (100°C), NE L'EXPOSEZ PAS AU FEU ET NE L'INCINÉREZ PAS.

15-02 R0204143-00



15-03



15-04



15-05

15-1

Rev1.0

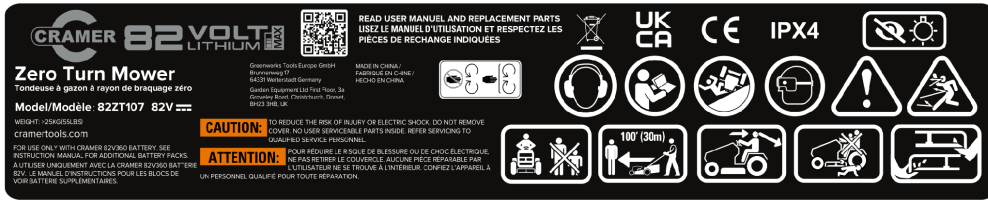
Rendered by LeadVenture, Inc.

## LABELS-WARNING/SAFETY

| <b>Ref Number</b> | <b>Part Number</b> | <b>Part Description</b>        | <b>Context Notes</b> | <b>Quantity</b> |
|-------------------|--------------------|--------------------------------|----------------------|-----------------|
| 15-01             | R0102670-00        | Battery warning Label          |                      | 1               |
| 15-02             | R0204143-00        | Battery warning Label (France) |                      | 1               |
| 15-03             | R0204148-00        | Keep H/F away                  |                      | 1               |
| 15-04             | R0103175-00        | No Towing Label                |                      | 1               |
| 15-05             | R0103171-00        | No Standing Label              |                      | 1               |

LABELS-BRAND/MODEL

LABELS-BRAND/MODEL



16-01 R0103113-00



16-02



16-03

16-1

Rev1.0

Rendered by LeadVenture, Inc.

## LABELS-BRAND/MODEL

| <b>Ref Number</b> | <b>Part Number</b> | <b>Part Description</b> | <b>Context Notes</b> | <b>Quantity</b> |
|-------------------|--------------------|-------------------------|----------------------|-----------------|
| 16-01             | R0103113-00        | 7400686 Name Label      |                      | 1               |
| 16-02             | R0103191-00        | Logo Label              | Cramer               | 1               |
| 16-03             | R0103192-00        | 82ZT107 Label           |                      | 2               |

# LABELS-FUNCTION

## LABELS-FUNCTION



17-01



17-02



17-03



17-04



17-05



17-06



17-07



17-08

# 107cm

17-09

17-1

Rev1.0

Rendered by LeadVenture, Inc.

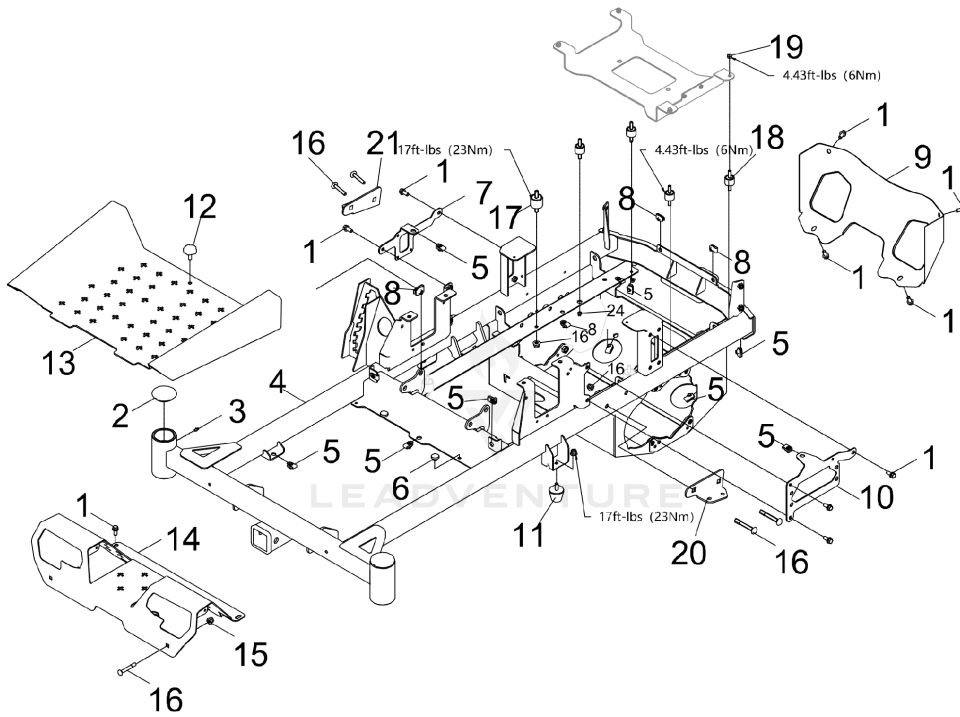


## LABELS-FUNCTION

| <b>Ref Number</b> | <b>Part Number</b> | <b>Part Description</b>  | <b>Context Notes</b> | <b>Quantity</b> |
|-------------------|--------------------|--|----------------------|-----------------|
| 17-01             | R0103166-00        | Battery Compartment Cover Label <input type="checkbox"/> high <input type="checkbox"/> |                      | 1               |
| 17-02             | R0103167-00        | Battery Label 1&2  |                      | 1               |
| 17-03             | R0103168-00        | Battery Label 3&4  |                      | 1               |
| 17-04             | R0103169-00        | Battery Label 5&6  |                      | 1               |
| 17-05             | R0103170-00        | Cutting Height Adjustment Label  |                      | 1               |
| 17-06             | R0204140-00        | Max Towing Weight Label  |                      | 1               |
| 17-07             | R0103172-00        | 100dB Noise Label  |                      | 1               |
| 17-08             | R0103173-00        | B Type Dashboard Label   |                      | 1               |
| 17-09             | R0103193-00        | Deck Width Label   |                      | 1               |

## 02 Body & Structures

# FRAME ASSEMBLY



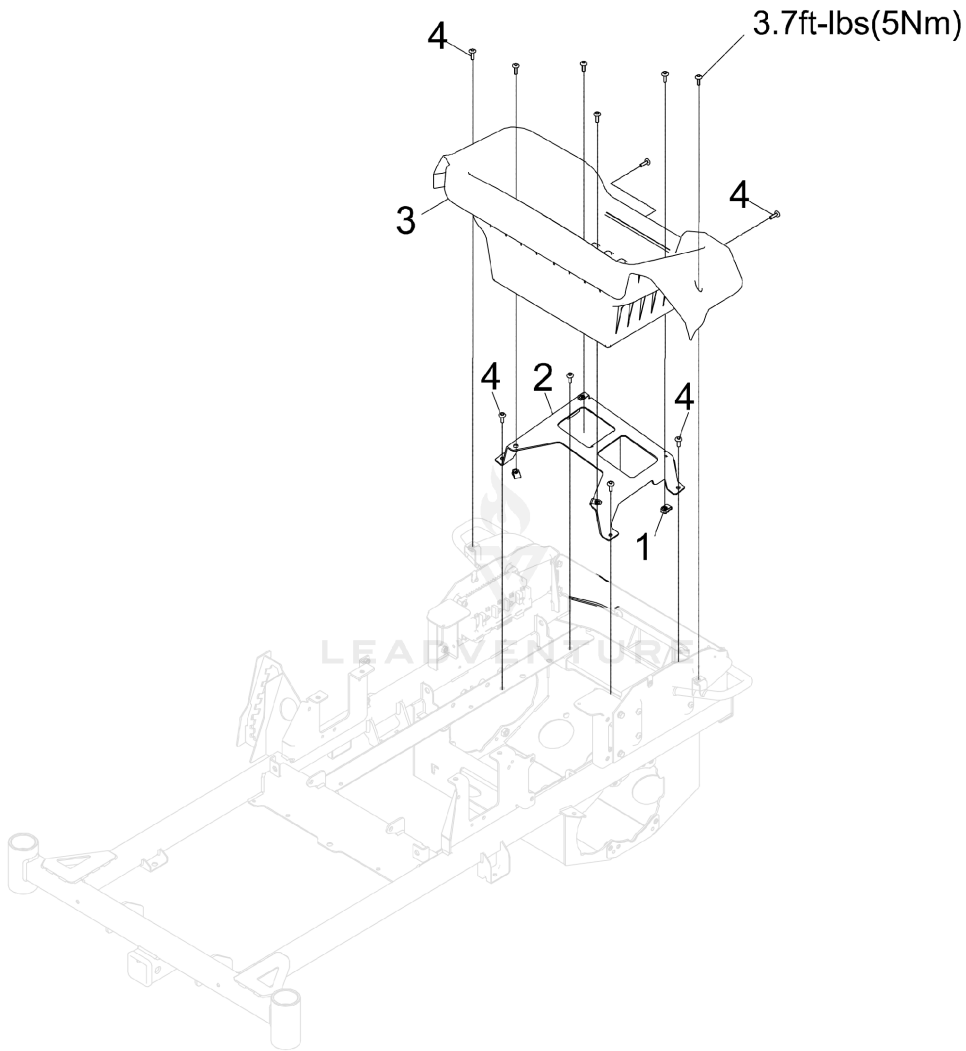
Rendered by LeadVenture, Inc.

## FRAME ASSEMBLY

| Ref Number | Part Number | Part Description                           | Context Notes                | Quantity |
|------------|-------------|--|------------------------------|----------|
| 1          | R0200534-00 | Hexagon Bolt, M8×20                        | lock washer and plain washer | 15       |
| 2          | R0202222-00 | Dust cap                                   |                              | 2        |
| 3          | R0200684-00 | Grease Zerk Fitting M6                     |                              | 2        |
| 4          | R0103162-00 | Main Frame Weldment                        |                              | 1        |
| 5          | R0200549-00 | Nut M8                                     |                              | 10       |
| 6          | R0200377-00 | Foot Pad                                   |                              | 2        |
| 7          | R0202220-00 | Mounting plate                             |                              | 1        |
| 8          | R0201314-00 | Nut, Clip-On M6                            |                              | 5        |
| 9          | R0202219-00 | Body rear                                  |                              | 1        |
| 10         | R0202218-00 | Mounting plate                             |                              | 1        |
| 11         | R0200710-00 | Rubber Bumper                              |                              | 2        |
| 12         | R0200376-00 | Konb Bolt M8X25                            |                              | 1        |
| 13         | R0103161-00 | Foot Pedal                                 |                              | 1        |
| 14         | R0103160-00 | Front Guard Weldment                       |                              | 1        |
| 15         | R0200496-00 | Hexagon Nuts(With Non-Metallic Insert), M8 |                              | 14       |
| 16         | R0201547-00 | Cup head bolts - grade B,M8×55             |                              | 6        |
| 17         | R0201412-00 | Shock pad                                  |                              | 4        |
| 18         | R0202578-00 | Insulation Pad                             |                              | 4        |

| <b>Ref Number</b> | <b>Part Number</b> | <b>Part Description</b> | <b>Context Notes</b> | <b>Quantity</b> |
|-------------------|--------------------|-------------------------|----------------------|-----------------|
| 19                | R0101348-00        | Lock nut M6             |                      | 8               |
| 20                | R0203296-00        | Air cap lever lug       |                      | 1               |
| 21                | R0203298-00        | Air cap lever lug       |                      | 1               |

# BATTERY COVER



Rendered by LeadVenture, Inc.

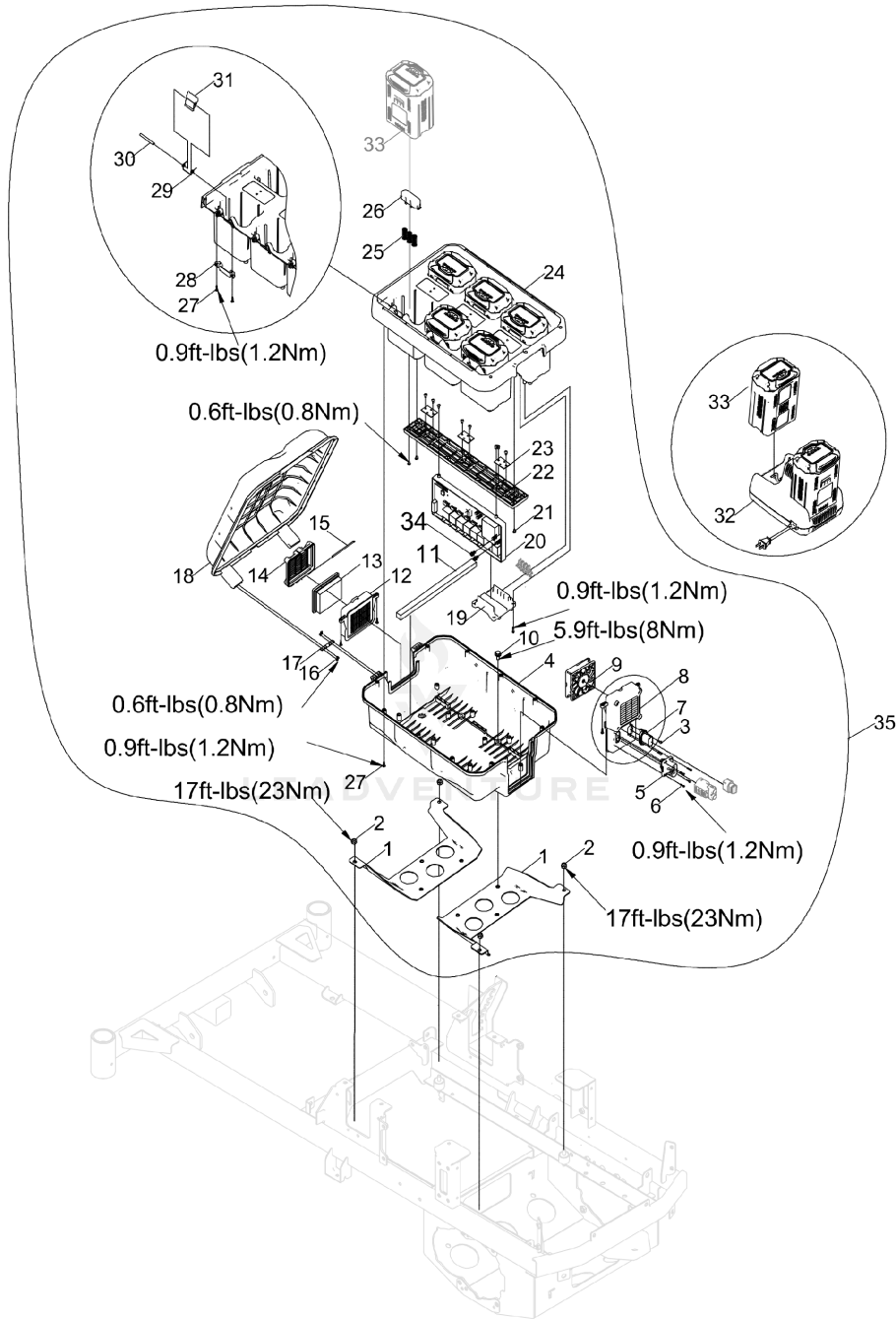
## BATTERY COVER

| <b>Ref Number</b> | <b>Part Number</b> | <b>Part Description</b>   | <b>Context Notes</b> | <b>Quantity</b> |
|-------------------|--------------------|---------------------------|----------------------|-----------------|
| 1                 | R0201314-00        | Nut, Clip-On M6           |                      | 4               |
| 2                 | R0103030-00        | Controller Mounting Plate |                      | 1               |
| 3                 | R0103031-00        | Bucket                    |                      | 1               |
| 4                 | R0201376-00        | Pan Head Screw M6*20      |                      | 12              |

## 03 Electrical System



# BATTERY-CHARGER



Rendered by LeadVenture, Inc.

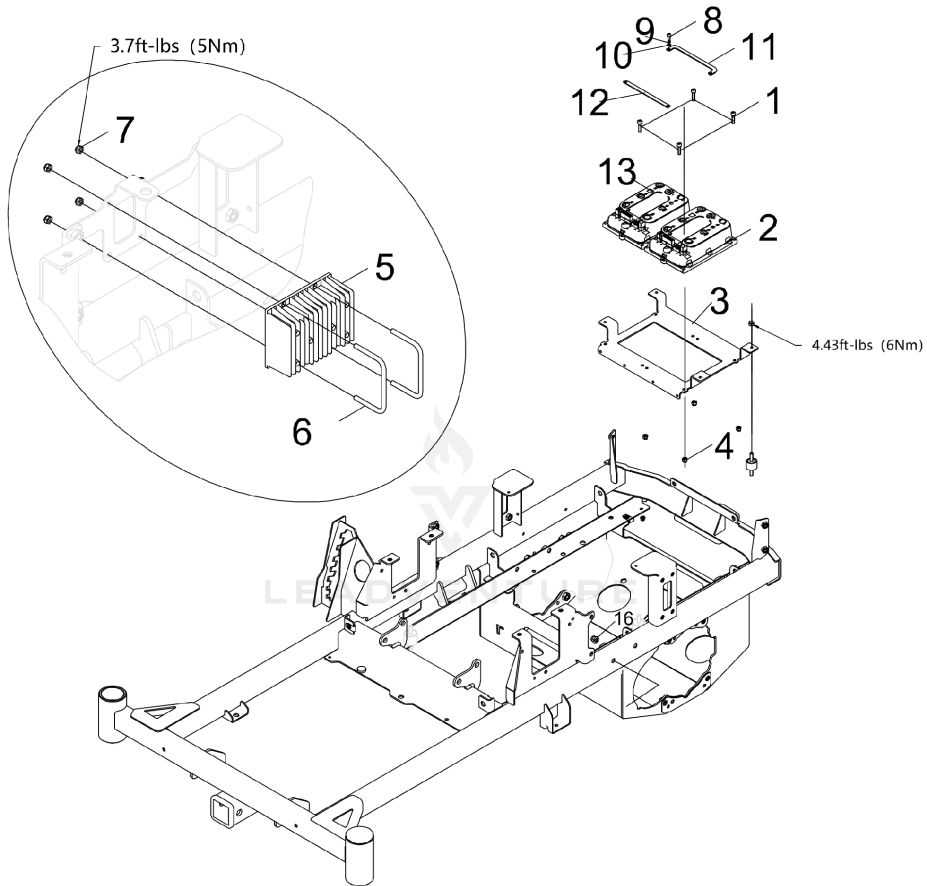
## BATTERY-CHARGER

| Ref Number | Part Number | Part Description                       | Context Notes | Quantity |
|------------|-------------|--|---------------|----------|
| 1          | R0201314-00 | Nut, Clip-On M6                        |               | 4        |
| 2          | R0103030-00 | Controller Mounting Plate              |               | 1        |
| 3          | R0103031-00 | Bucket                                 |               | 1        |
| 4          | R0201376-00 | Pan Head Screw M6*20                   |               | 12       |
| 1          | R0103038-00 | Fixed Bracket                          |               | 2        |
| 2          | R0200520-00 | Hexagon Nuts, Style 2, M8              |               | 4        |
| 3          | R0203541-00 | Pan Head Tapping Screws,ST4X10         |               | 2        |
| 4          | R0202638-00 | Base                                   |               | 1        |
| 5          | R0205048-00 | Battery Compartment Power Cords        |               | 1        |
| 6          | R0203425-00 | Cross recessed pan head tapping screws |               | 4        |
| 7          | R0205047-00 | Battery Compartment Communication Line |               | 1        |
| 8          | R0103039-00 | Rear Cover                             |               | 1        |
| 9          | R0202640-00 | Fan                                    |               | 1        |
| 10         | R0200534-00 | Hexagon Bolt, M8×20                    |               | 6        |
| 11         | R0203160-00 | Dust sponge                            |               | 2        |
| 12         | R0202641-00 | Middle cover                           |               | 1        |
| 13         | R0202642-00 | Filter element                         |               | 1        |
| 14         | R0202643-00 | Front cover                            |               | 1        |

| <b>Ref Number</b> | <b>Part Number</b> | <b>Part Description</b>                 | <b>Context Notes</b> | <b>Quantity</b> |
|-------------------|--------------------|---|----------------------|-----------------|
| 15                | R0202644-00        | Rotating shaft                          |                      | 1               |
| 16                | R0203286-00        | Hexagon socket button head screws, M3*6 |                      | 8               |
| 17                | R0202646-00        | Flap hinge                              |                      | 2               |
| 18                | R0103040-00        | Battery Pack Flap Assembly              |                      | 1               |
| 19                | R0203171-00        | Terminal retaining plate                |                      | 3               |
| 20                | R0205049-00        | PMU Assembly                            |                      | 1               |
| 21                | R0202649-00        | Pan Head Tapping Screws,ST4*10          |                      | 12              |
| 22                | R0202650-00        | Base mounting plate                     |                      | 1               |
| 23                | R0203237-00        | PCBA ( Torch )                          |                      | 3               |
| 24                | R0103041-00        | Battery Box Assembly                    |                      | 1               |
| 25                | R0202671-00        | Reset spring                            |                      | 18              |
| 26                | R0203287-00        | Spring Base                             |                      | 6               |
| 27                | R0203426-00        | Socket Pan Head Tapping Screws ST4X16   |                      | 38              |
| 28                | R0103042-00        | Release Button Shaft Retaining Plate    |                      | 6               |
| 29                | R0202672-00        | Torsion spring                          |                      | 6               |
| 30                | R0202657-00        | Battery Pack Release Button Shaft       |                      | 6               |
| 31                | R0203174-00        | Battery Pack Release Button             |                      | 6               |
| 32                | R0103164-00        | Charger Bare Tool                       |                      | 3               |

| <b>Ref Number</b> | <b>Part Number</b> | <b>Part Description</b> | <b>Context Notes</b> | <b>Quantity</b> |
|-------------------|--------------------|-------------------------|----------------------|-----------------|
| 34                | R0101334-00        | Bolt assembly           |                      | 2               |
| 35                | R0103041-00        | Battery Box Assembly    |                      |                 |

# CONTROLLERS

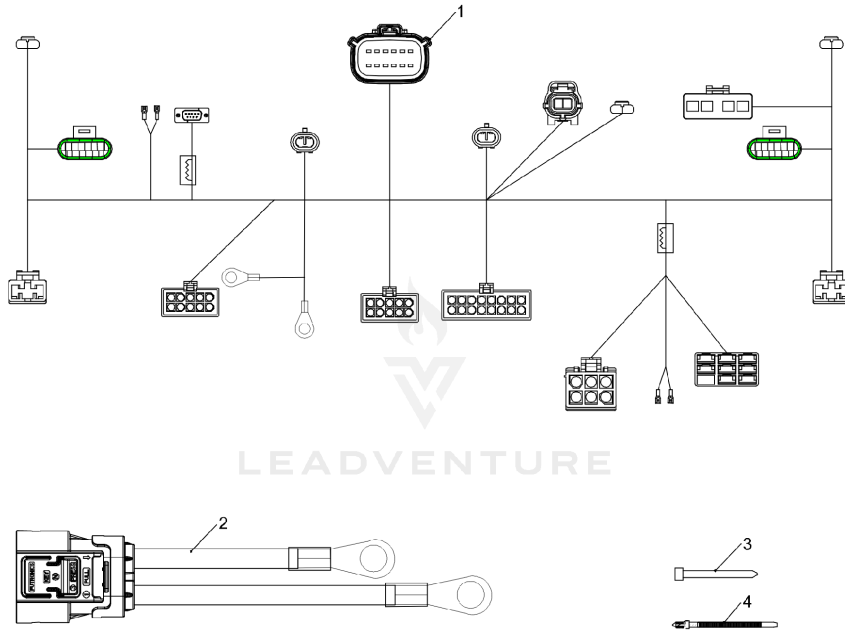


Rendered by LeadVenture, Inc.

## CONTROLLERS

| Ref Number | Part Number | Part Description                                   | Context Notes | Quantity |
|------------|-------------|--|---------------|----------|
| 1          | R0201415-00 | Bolt M6×25   |               | 8        |
| 2          | R0102983-00 | Blade Controller                                   |               | 1        |
| 3          | R0103159-00 | Controller Mounting Plate                          |               | 1        |
| 4          | R0101348-00 | Lock nut M6  |               | 8        |
| 5          | R0202206-00 | DC power supply                                    |               | 1        |
| 6          | R0202027-00 | Lock Threaded Rod                                  |               | 2        |
| 7          | R0200517-00 | Hexagon Nuts(With Non-Metallic Insert), style 2 M5 |               | 4        |
| 8          | R0101421-00 | Screw M5×14  |               | 16       |
| 9          | R0200538-00 | Spring washer φ5                                   |               | 16       |
| 10         | R0101338-00 | Washer   |               | 16       |
| 11         | R0102990-00 | Copper Bar   |               | 1        |
| 12         | R0102991-00 | Copper Bar   |               | 1        |
| 13         | R0102982-00 | Drive Controller                                   |               | 1        |

# WIRE HARNESS



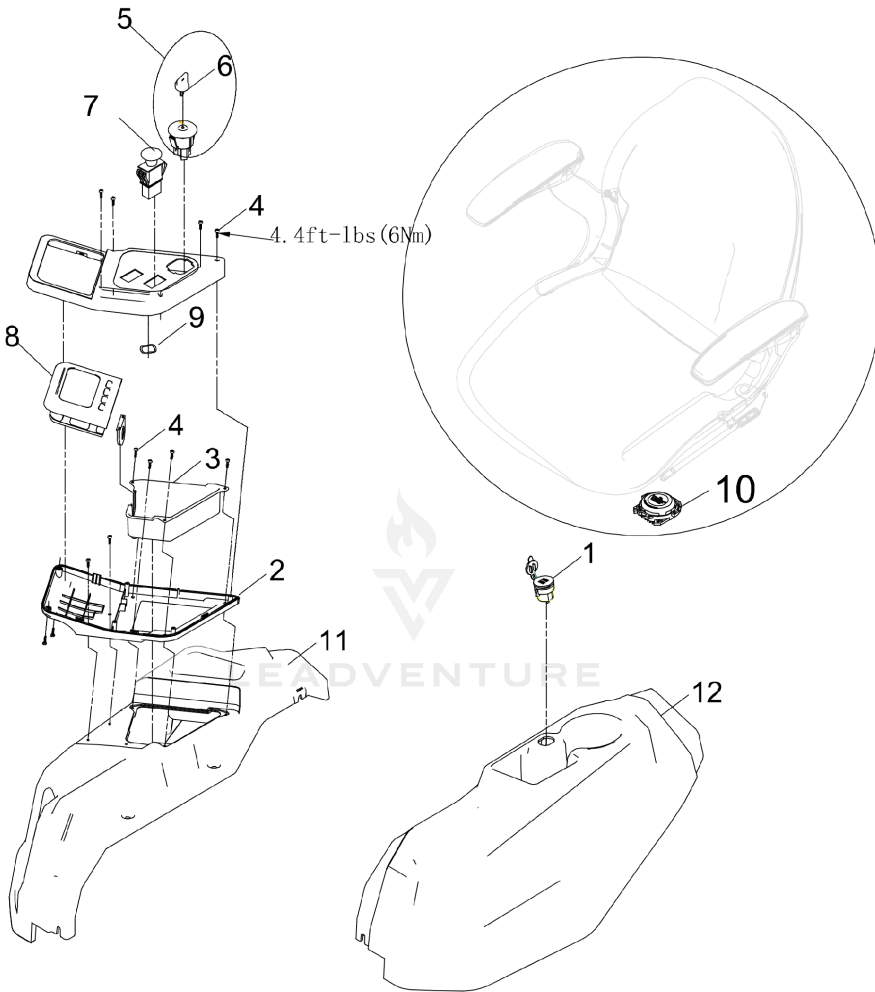
Rendered by LeadVenture, Inc.

## WIRE HARNESS

| <b>Ref Number</b> | <b>Part Number</b> | <b>Part Description</b>                   | <b>Context Notes</b> | <b>Quantity</b> |
|-------------------|--------------------|---|----------------------|-----------------|
| 1                 | R0102989-00        | Control Harness Assembly of Whole Machine |                      | 1               |
| 2                 | R0102988-00        | Power Wiring Harness for Whole Machine    |                      | 1               |
| 3                 | R0200390-00        | Zip Tie                                   |                      | 20              |
| 4                 | R0202543-00        | Zip Tie                                   |                      | 30              |



# SWITCHES-METER-GPS

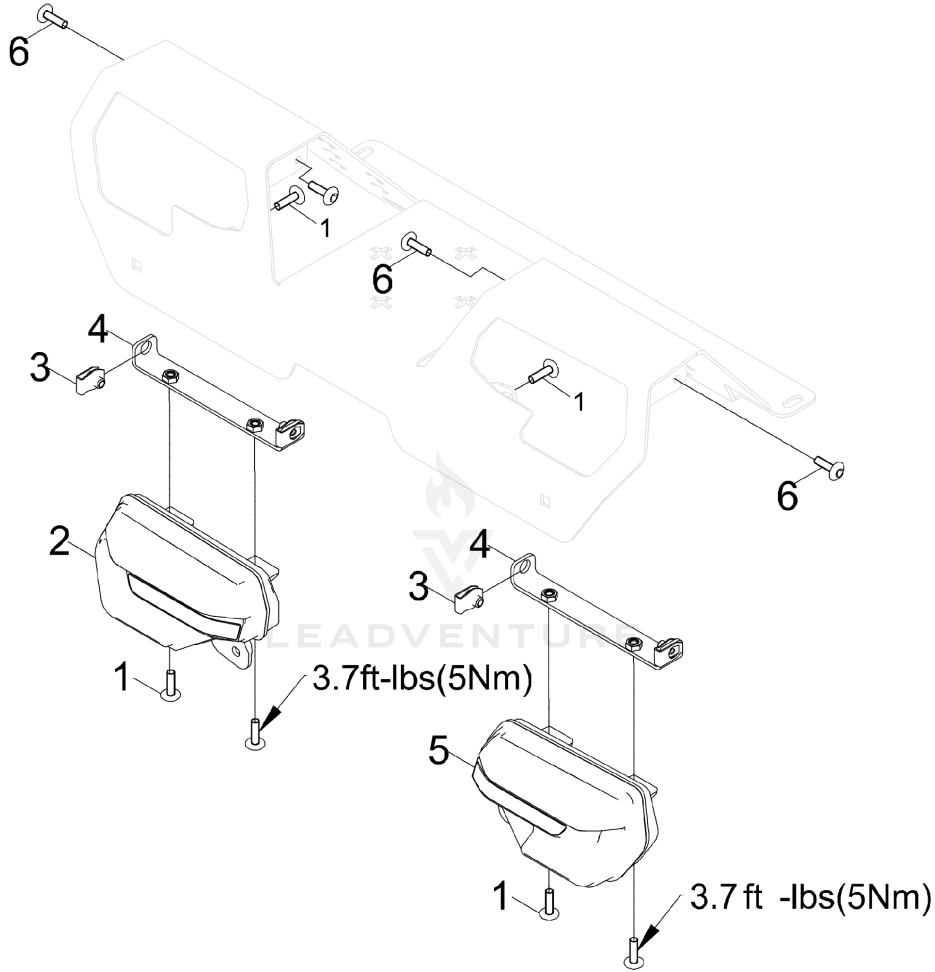


Rendered by LeadVenture, Inc.

## SWITCHES-METER-GPS

| <b>Ref Number</b> | <b>Part Number</b> | <b>Part Description</b>               | <b>Context Notes</b> | <b>Quantity</b> |
|-------------------|--------------------|---------------------------------------|----------------------|-----------------|
| 1                 | R0201612-00        | USB                                   |                      | 1               |
| 2                 | R0103043-00        | Lower Shell                           |                      | 1               |
| 3                 | R0103044-00        | Guard                                 |                      | 1               |
| 4                 | R0203426-00        | Socket Pan Head Tapping Screws ST4X16 |                      | 12              |
| 5                 | R0205050-00        | Lock Switch                           |                      | 1               |
| 6                 | R0201216-00        | Key                                   |                      | 1               |
| 7                 | R0200717-00        | PTO switch                            |                      | 1               |
| 8                 | R0205051-00        | LCD Dashboard                         |                      | 1               |
| 9                 | R0203538-00        | Corrugated Washer                     |                      | 1               |
| 10                | R0102987-00        | Seat Switch                           |                      | 1               |
| 11                | R0103158-00        | Right Cover Piece                     |                      | 1               |
| 12                | R0103157-00        | Left Cover Piece                      |                      | 1               |

# LIGHTS



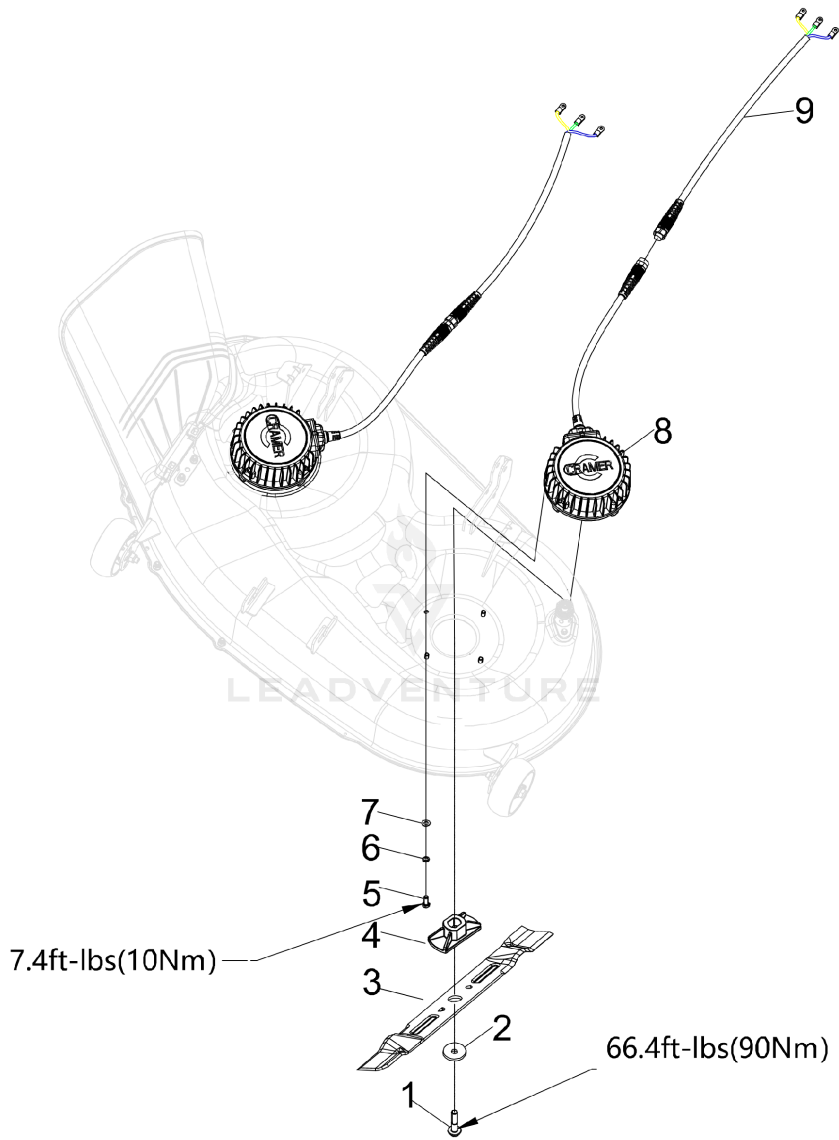
Rendered by LeadVenture, Inc.

## LIGHTS

| <b>Ref Number</b> | <b>Part Number</b> | <b>Part Description</b>                    | <b>Context Notes</b> | <b>Quantity</b> |
|-------------------|--------------------|--|----------------------|-----------------|
| 1                 | R0201279-00        | Socket Raised Head Screw With Collar M6×20 |                      | 6               |
| 2                 | R0202201-00        | Right front lamp                           |                      | 1               |
| 3                 | R0201314-00        | Nut, Clip-On M6                            |                      | 4               |
| 4                 | R0202200-00        | Adapting plate                             |                      | 2               |
| 5                 | R0202199-00        | Left front lamp                            |                      | 1               |
| 6                 | R0201376-00        | Pan Head Screw M6*20                       |                      | 4               |

# 04 Deck System

# DECK, MOTORS AND BLADES (DISCHARGE)

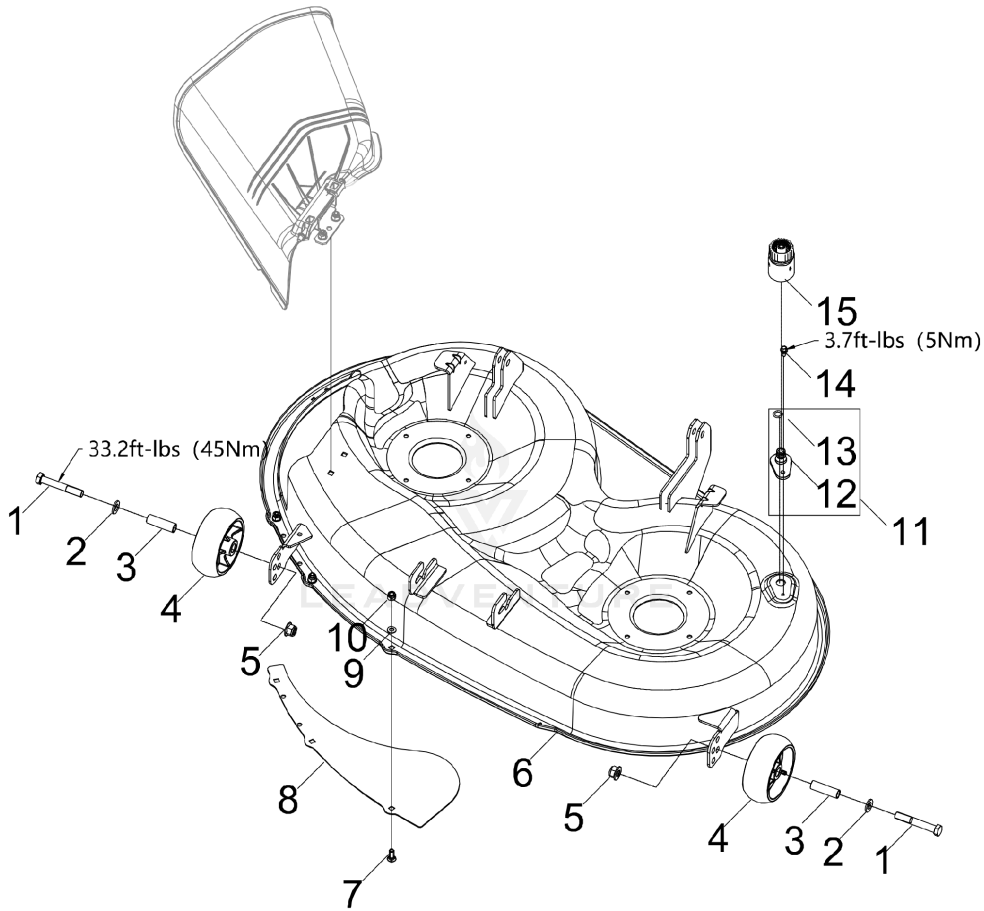


Rendered by LeadVenture, Inc.

## DECK, MOTORS AND BLADES (DISCHARGE)

| <b>Ref Number</b> | <b>Part Number</b> | <b>Part Description</b>             | <b>Context Notes</b> | <b>Quantity</b> |
|-------------------|--------------------|-------------------------------------|----------------------|-----------------|
| 1                 | R0202285-00        | Hexagon head bolts ,ANSI 7/16-14UNC |                      | 2               |
| 2                 | R0202284-00        | Washer                              |                      | 2               |
| 3                 | R0203256-00        | Blade, High-Lift (42" Deck)         |                      | 2               |
| 4                 | R0202282-00        | Blade holder                        |                      | 2               |
| 5                 | R0202281-00        | Hexagon head bolts 5/16-18UNC       |                      | 8               |
| 6                 | R0202280-00        | Single coil spring lock washers     |                      | 8               |
| 7                 | R0200548-00        | Plain Washers,Φ8                    |                      | 8               |
| 8                 | R0102985-00        | Blade Motor                         |                      | 2               |
| 9                 | R0102986-00        | Wire Harness Assembly               |                      | 2               |

# DECK ASSEMBLY



Rendered by LeadVenture, Inc.



## DECK ASSEMBLY

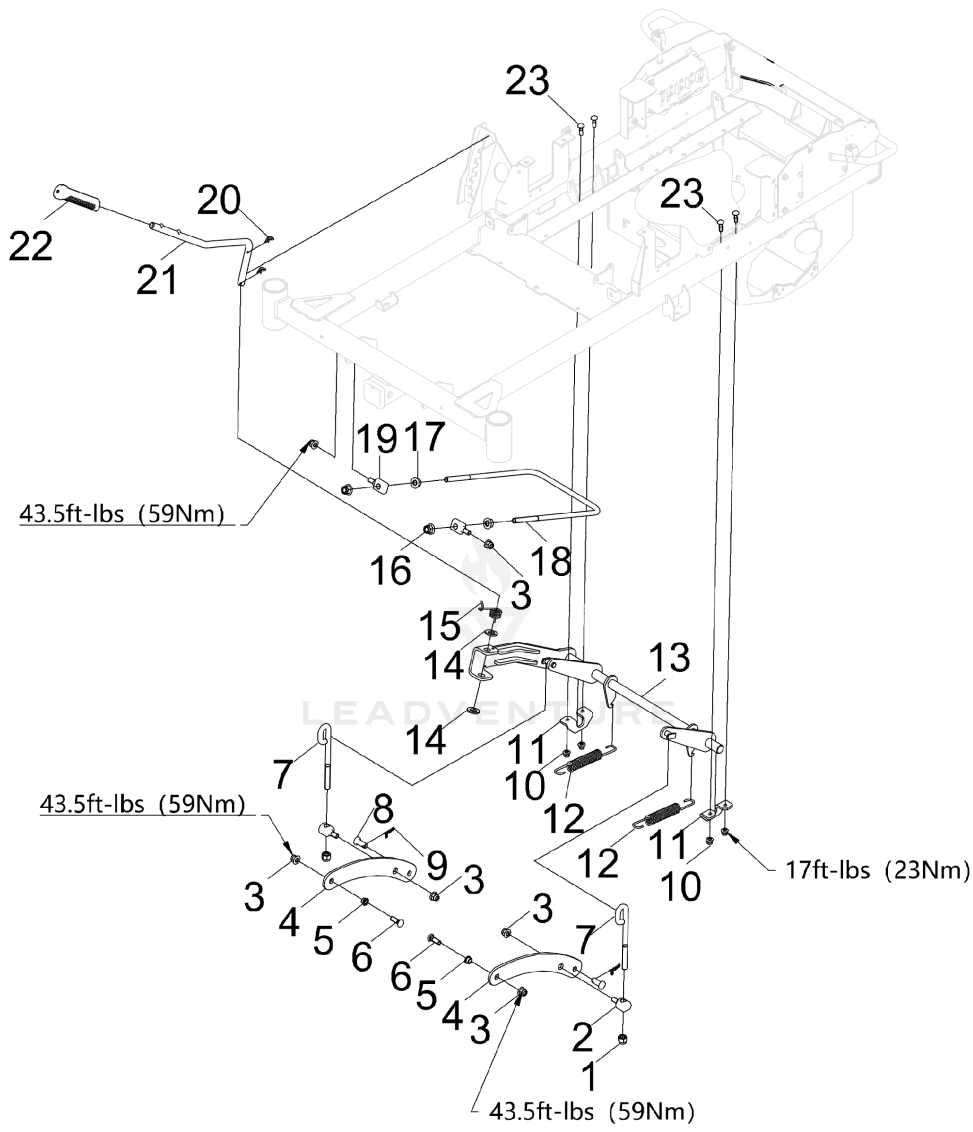
| Ref Number | Part Number | Part Description                                    | Context Notes | Quantity |
|------------|-------------|---|---------------|----------|
| 1          | R0200401-00 | Hexagon Head Bolts, M12X80                          |               | 2        |
| 2          | R0200543-00 | Plain washers - Product grade A, $\phi$ 12          |               | 2        |
| 3          | R0202286-00 | Cutting deck wheel sleeve pipe                      |               | 2        |
| 4          | R0202287-00 | Cutting deck wheel                                  |               | 2        |
| 5          | R0200523-00 | Flange nut, M12                                     |               | 2        |
| 6          | R0103046-00 | 42" Cutting Deck Weldment                           |               | 1        |
| 7          | R0200526-00 | Cup head bolts - grade B, M8 $\times$ 20            |               | 3        |
| 8          | R0202289-00 | Air Guide Housing                                   |               | 1        |
| 9          | R0200548-00 | Plain Washers, $\Phi$ 8                             |               | 3        |
| 10         | R0200569-00 | Hexagon Nuts(With Non-Metallic Insert), style 2, M8 |               | 3        |
| 11         | R0202290-00 | Water Inlet and Outlet Connector Assembly           |               | 1        |
| 12         | R0202291-00 | Water Inlet and Outlet Connector                    |               | 1        |
| 13         | R0203283-00 | O - Ring  |               | 1        |
| 14         | R0202294-00 | Hexagon flange head tapping screw, ST6.3*16         |               | 1        |
| 15         | R0203282-00 | Adaptor   |               | 1        |



## DISCHARGE CHUTE

| Ref Number | Part Number | Part Description                                   | Context Notes | Quantity |
|------------|-------------|--|---------------|----------|
| 1          | R0200526-00 | Cup head bolts - grade B,M8×20                     |               | 3        |
| 2          | R0202296-00 | Fixed seat   |               | 1        |
| 3          | R0201314-00 | Nut, Clip-On M6                                    |               | 3        |
| 4          | R0202297-00 | Starlock washer                                    |               | 2        |
| 5          | R0202298-00 | Protective cover                                   |               | 1        |
| 6          | R0202299-00 | Customized bolt,M6x25                              |               | 2        |
| 7          | R0202300-00 | Cup head bolts - grade B, M6X16                    |               | 1        |
| 8          | R0202301-00 | Fixed seat   |               | 1        |
| 9          | R0200548-00 | Plain Washers,Φ8                                   |               | 3        |
| 10         | R0200569-00 | Hexagon Nuts(With Non-Metallic Insert),style 2, M8 |               | 3        |
| 11         | R0101348-00 | Lock nut M6  |               | 1        |
| 12         | R0103156-00 | Straw Support Plate                                |               | 1        |
| 13         | R0202303-00 | Starlock washer                                    |               | 1        |
| 14         | R0202304-00 | Torsion spring                                     |               | 1        |
| 15         | R0202305-00 | Straw discharge cover                              |               | 1        |
| 16         | R0202306-00 | Fixed pin  |               | 1        |
| 17         | R0200547-00 | Plain washers-Product grade A, φ6                  |               | 1        |

# DECKLIFT ASSEMBLY



Rendered by LeadVenture, Inc.

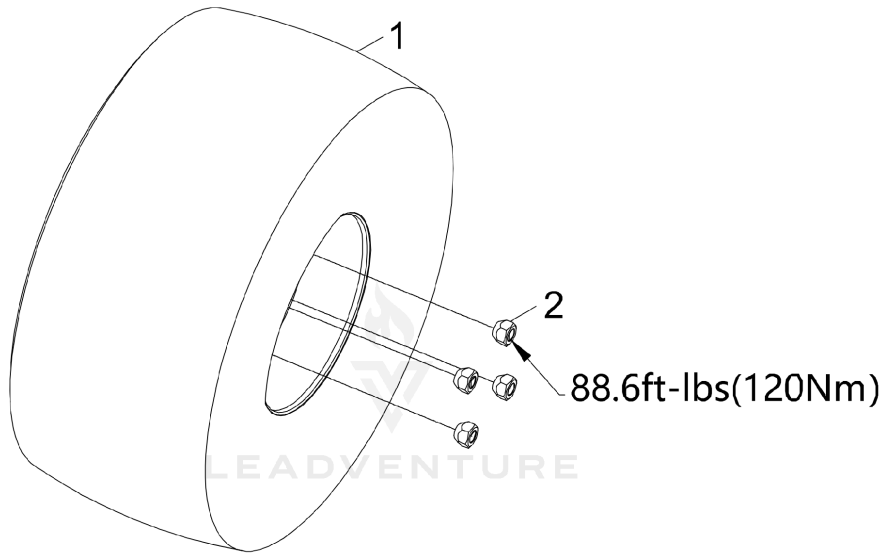
## DECKLIFT ASSEMBLY

| Ref Number | Part Number | Part Description                            | Context Notes            | Quantity |
|------------|-------------|---|--------------------------|----------|
| 1          | R0200515-00 | Hexagon Nuts, style 2, M12                  | With Non-Metallic Insert |          |
| 2          | R0202233-00 | Side Pull Plate Pin                         |                          |          |
| 3          | R0200521-00 | Nut M10                                     |                          |          |
| 4          | R0202232-00 | Side pull plate                             |                          |          |
| 5          | R0201469-00 | Axle tube                                   |                          |          |
| 6          | R0202231-00 | Cup Head Bolts-Grade B,M10X1.5              |                          |          |
| 7          | R0202230-00 | Height Adjustment Rod                       |                          |          |
| 8          | R0202229-00 | Pin shaft                                   |                          |          |
| 9          | R0201398-00 | R Pin                                       |                          |          |
| 10         | R0200496-00 | Hexagon Nuts(With Non-Metallic Insert), M8  |                          |          |
| 11         | R0201455-00 | Fixed plate                                 |                          |          |
| 12         | R0203167-00 | Extension spring                            |                          |          |
| 13         | R0202227-00 | Rear Height Adjustment Weldment             |                          |          |
| 14         | R0201475-00 | Plain Washer                                |                          |          |
| 15         | R0203168-00 | Torsion spring                              |                          |          |
| 16         | R0200369-00 | Hexagon Nuts (Withnon-Metallic Insert), M12 |                          |          |
| 17         | R0200559-00 | Hexagon nuts , M12                          |                          |          |
| 18         | R0201470-00 | Pull handle                                 |                          |          |

| <b>Ref Number</b> | <b>Part Number</b> | <b>Part Description</b>         | <b>Context Notes</b> | <b>Quantity</b> |
|-------------------|--------------------|---------------------------------|----------------------|-----------------|
| 19                | R0202225-00        | Lock pin                        |                      |                 |
| 20                | R0201478-00        | R Pin                           |                      |                 |
| 21                | R0202224-00        | Height Adjustment Lever         |                      |                 |
| 22                | R0202223-00        | Height Adjustment Handle Sleeve |                      |                 |
| 23                | R0200527-00        | Cup Head Bolts-Grade B, M8x25   |                      |                 |

## 05 Drive System

# REAR WHEELS



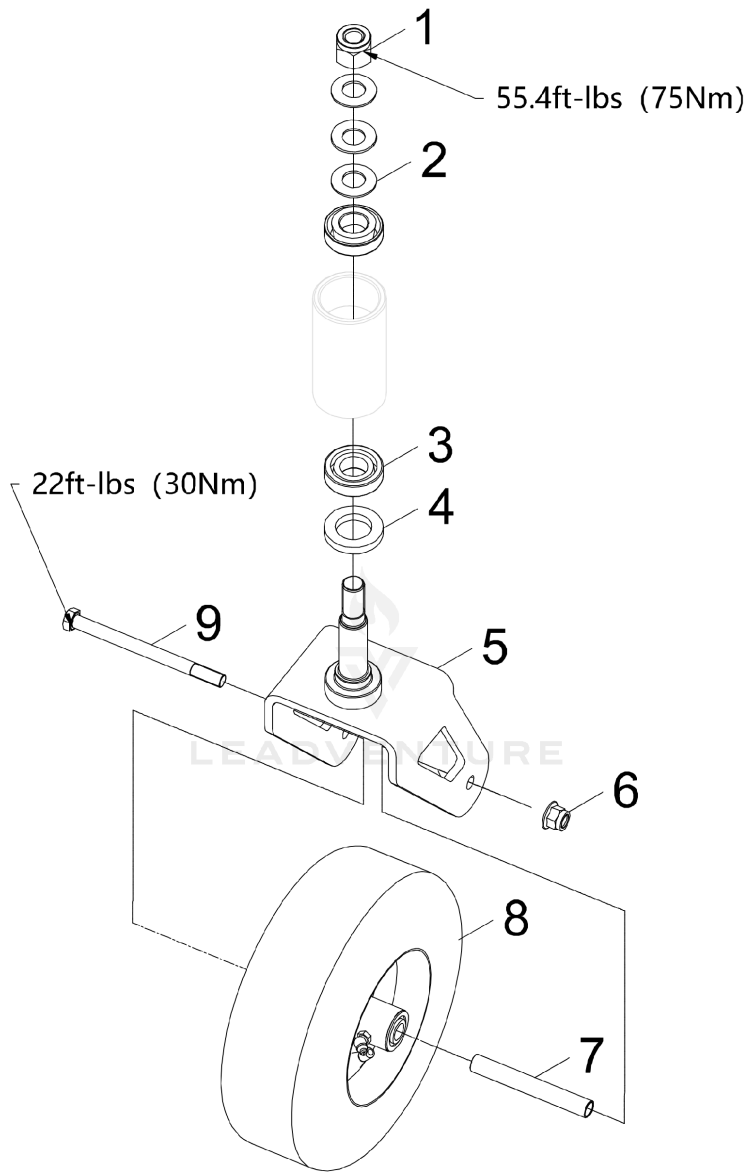
Rendered by LeadVenture, Inc.



## REAR WHEELS

| <b>Ref Number</b> | <b>Part Number</b> | <b>Part Description</b>       | <b>Context Notes</b> | <b>Quantity</b> |
|-------------------|--------------------|-------------------------------|----------------------|-----------------|
| 1                 | R0103049-00        | Rear Wheel 20X10-8            |                      | 2               |
| 2                 | R0200368-00        | Wheel fastening nut 1/2-20UNF |                      | 8               |

# FRONT WHEELS

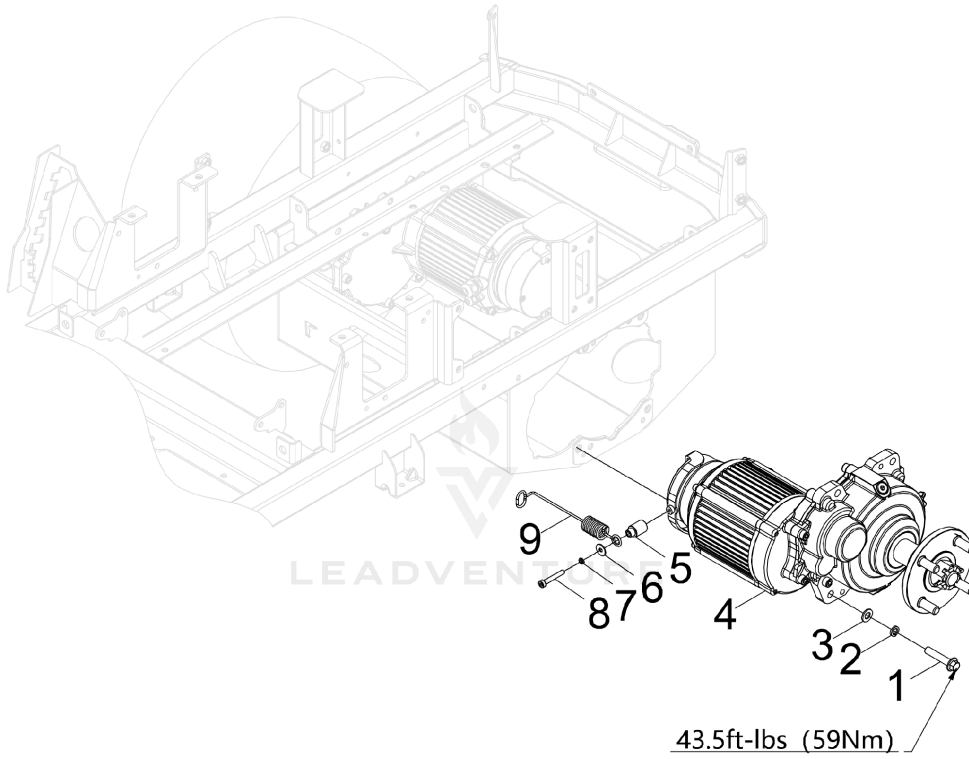


Rendered by LeadVenture, Inc.

## FRONT WHEELS

| <b>Ref Number</b> | <b>Part Number</b> | <b>Part Description</b>                     | <b>Context Notes</b> | <b>Quantity</b> |
|-------------------|--------------------|---|----------------------|-----------------|
| 1                 | R0200372-00        | Nut M20                                     |                      | 2               |
| 2                 | R0200373-00        | Disc Spring                                 |                      | 6               |
| 3                 | R0201463-00        | Tapered roller bearing                      |                      | 4               |
| 4                 | R0201464-00        | Oil sealing                                 |                      | 2               |
| 5                 | R0103155-00        | Front Fork Weldment                         |                      | 1               |
| 6                 | R0200369-00        | Hexagon Nuts (Withnon-Metallic Insert), M12 |                      | 1               |
| 7                 | R0201468-00        | Front shaft sleeve,<br>□12.5X□16X117        |                      | 1               |
| 8                 | R0103154-00        | Front Wheel General Assembly                |                      | 1               |
| 9                 | R0201465-00        | Hexagon head bolts,M12X1.75                 |                      | 1               |

# DRIVE MOTOR AND TRANSMISSION



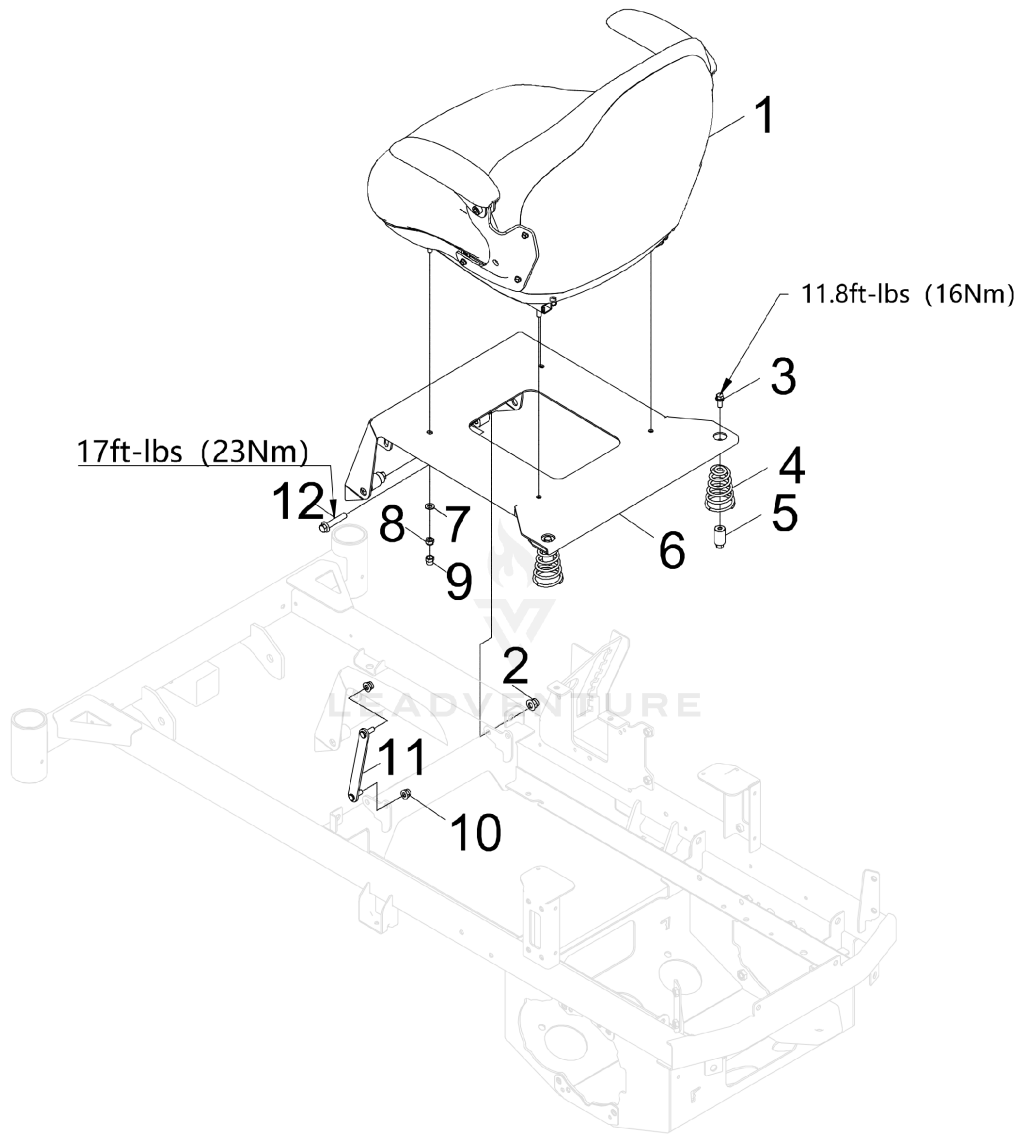
Rendered by LeadVenture, Inc.

## DRIVE MOTOR AND TRANSMISSION

| <b>Ref Number</b> | <b>Part Number</b> | <b>Part Description</b>                          | <b>Context Notes</b> | <b>Quantity</b> |
|-------------------|--------------------|--|----------------------|-----------------|
| 1                 | R0200765-00        | Hexagon Flange Bolts,M10×50                      |                      | 8               |
| 2                 | R0200499-00        | Single Coil Spring Lock Washer, Normal Type, Φ10 |                      | 8               |
| 3                 | R0200502-00        | Plain washers - Product grade A, φ10             |                      | 12              |
| 4                 | R0102984-00        | Motor Gearbox Assembly                           |                      | 2               |
| 5                 | R0201520-00        | Distance sleeve                                  |                      | 2               |
| 6                 | R0201521-00        | Plain washers, Product grade A,φ6                |                      | 2               |
| 7                 | R0201410-00        | Standard Spring Washer Φ6                        |                      | 2               |
| 8                 | R0201522-00        | Hexagon head screw, M6X40                        |                      | 2               |
| 9                 | R0201523-00        | Spring   |                      | 2               |

## 06 Operator System

# SEAT



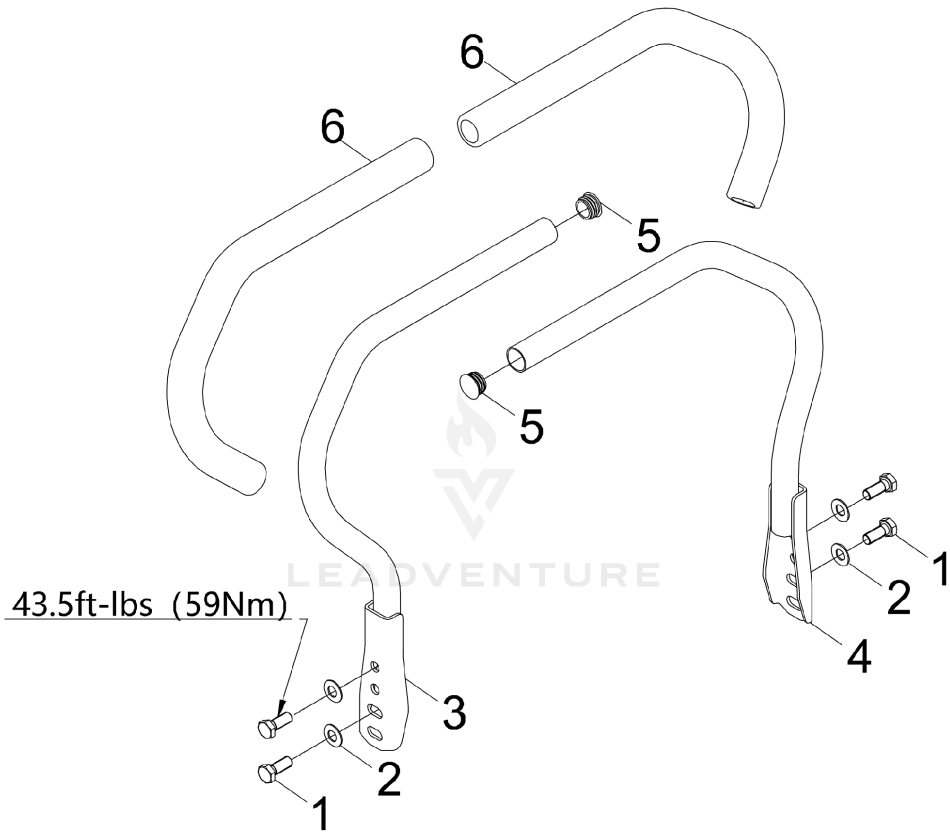
Rendered by LeadVenture, Inc.

## SEAT

| <b>Ref Number</b> | <b>Part Number</b> | <b>Part Description</b>                    | <b>Context Notes</b> | <b>Quantity</b> |
|-------------------|--------------------|--|----------------------|-----------------|
| 1                 | R0103153-00        | Seat                                       |                      | 1               |
| 2                 | R0200521-00        | Nut M10                                    |                      | 2               |
| 3                 | R0200534-00        | Hexagon Bolt, M8×20                        |                      | 2               |
| 4                 | R0203275-00        | Spring                                     |                      | 2               |
| 5                 | R0202039-00        | Limiting Displacement Bar                  |                      | 2               |
| 6                 | R0103152-00        | Fixed Plate Assembly                       |                      | 1               |
| 7                 | R0200548-00        | Plain Washers,Φ8                           |                      | 4               |
| 8                 | R0200571-00        | Nut5/16-18                                 |                      | 4               |
| 9                 | R0202186-00        | Protective Sleeve                          |                      | 4               |
| 10                | R0200496-00        | Hexagon Nuts(With Non-Metallic Insert), M8 |                      | 2               |
| 11                | R0203290-00        | Limiting Displacement Bar                  |                      | 1               |
| 12                | R0200765-00        | Hexagon Flange Bolts,M10×50                |                      | 2               |



# CONTROL ARMS

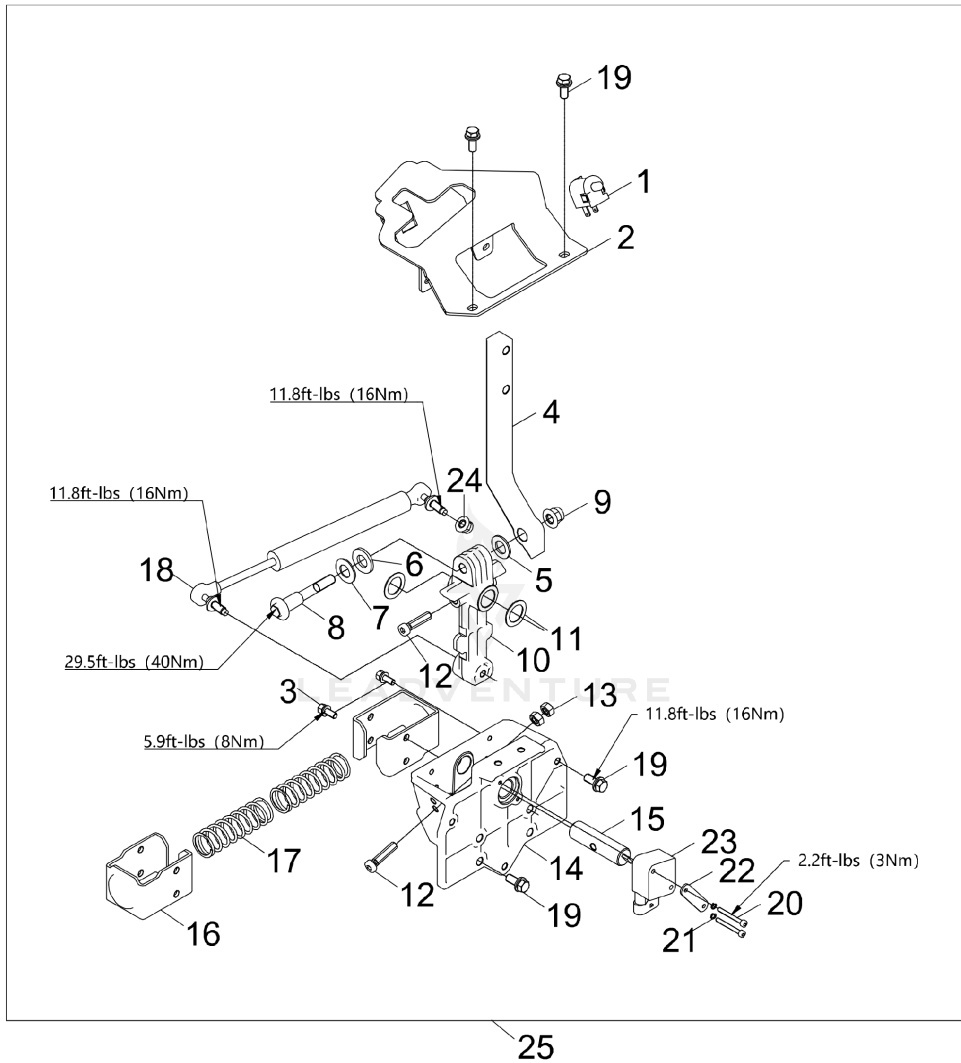


Rendered by LeadVenture, Inc.

## CONTROL ARMS

| <b>Ref Number</b> | <b>Part Number</b> | <b>Part Description</b>       | <b>Context Notes</b> | <b>Quantity</b> |
|-------------------|--------------------|-------------------------------|----------------------|-----------------|
| 1                 | R0200509-00        | Hexagon Head Bolts,M10X25     |                      | 4               |
| 2                 | R0200378-00        | Disc Spring                   |                      | 4               |
| 3                 | R0103151-00        | Left Control Handle Weldment  |                      | 1               |
| 4                 | R0103150-00        | Right Control Handle Weldment |                      | 1               |
| 5                 | R0201530-00        | Pipe plug                     |                      | 2               |
| 6                 | R0103149-00        | Control Rod Sleeve            |                      | 2               |

# CONTROL ARM SUB ASSEMBLY (RH)



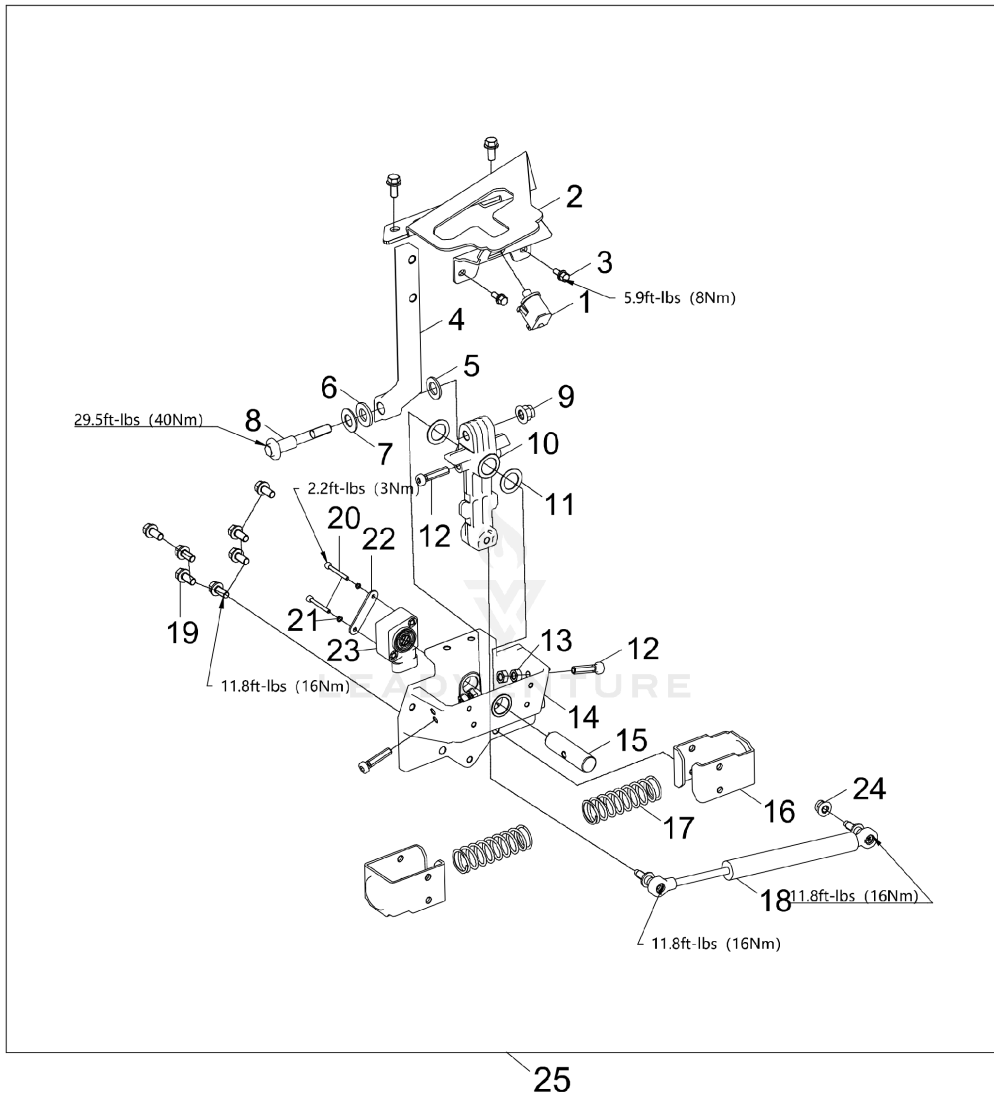
Rendered by LeadVenture, Inc.

## CONTROL ARM SUB ASSEMBLY (RH)

| Ref Number | Part Number | Part Description  | Context Notes | Quantity |
|------------|-------------|---|---------------|----------|
| 1          | R0200366-00 | Switch (Brake,Seat)   |               | 1        |
| 2          | R0201543-00 | Right Bracket   |               | 1        |
| 3          | R0200532-00 | Hexagon Bolt, Single Coil Lock Washer And Plan Washer Assemblies, M6×16 |               | 2        |
| 4          | R0201534-00 | Operating Handle  |               | 1        |
| 5          | R0201356-00 | Nylon Pad   |               | 1        |
| 6          | R0201358-00 | Washer  |               | 1        |
| 7          | R0201362-00 | Disc Spring   |               | 1        |
| 8          | R0201363-00 | Customized Bolt   |               | 1        |
| 9          | R0200521-00 | Nut M10   |               | 1        |
| 10         | R0201364-00 | Swing arm   |               | 1        |
| 11         | R0201353-00 | Nylon Washer  |               | 2        |
| 12         | R0201350-00 | Hexagon Socket Head Cap Screw M8X35                                     |               | 3        |
| 13         | R0200519-00 | Hexagon Nut,M8  |               | 4        |
| 14         | R0201535-00 | Fixed seat  |               | 1        |
| 15         | R0201536-00 | Rotating shaft  |               | 1        |
| 16         | R0202532-00 | Spring Seat Assembly  |               | 2        |
| 17         | R0201537-00 | Compression Spring  |               | 2        |
| 18         | R0103148-00 | Damper  |               | 1        |

| <b>Ref Number</b> | <b>Part Number</b> | <b>Part Description</b>                        | <b>Context Notes</b> | <b>Quantity</b> |
|-------------------|--------------------|--|----------------------|-----------------|
| 19                | R0200534-00        | Hexagon Bolt, M8×20                            |                      | 9               |
| 20                | R0201539-00        | Hexagon Socket Head Cap Screw M8X35            |                      | 2               |
| 21                | R0200536-00        | Single coil spring lock washer, normal type,φ4 |                      | 2               |
| 22                | R0201541-00        | Subplate                                       |                      | 1               |
| 23                | R0201542-00        | Accelerator                                    |                      | 1               |
| 24                | R0200496-00        | Hexagon Nuts(With Non-Metallic Insert), M8     |                      | 1               |
| 25                | R0204491-00        | Right Operation Assembly                       |                      | 1               |

# CONTROL ARM SUB ASSEMBLY (LH)



Rendered by LeadVenture, Inc.

## CONTROL ARM SUB ASSEMBLY (LH)

| Ref Number | Part Number | Part Description  | Context Notes | Quantity |
|------------|-------------|---|---------------|----------|
| 1          | R0200366-00 | Switch (Brake,Seat)   |               | 1        |
| 2          | R0201533-00 | Left Bracket  |               | 1        |
| 3          | R0200532-00 | Hexagon Bolt, Single Coil Lock Washer And Plan Washer Assemblies, M6×16 |               | 2        |
| 4          | R0201534-00 | Operating Handle  |               | 1        |
| 5          | R0201356-00 | Nylon Pad   |               | 1        |
| 6          | R0201358-00 | Washer  |               | 1        |
| 7          | R0201362-00 | Disc Spring   |               | 1        |
| 8          | R0201363-00 | Customized Bolt   |               | 1        |
| 9          | R0200521-00 | Nut M10   |               | 1        |
| 10         | R0201364-00 | Swing arm   |               | 1        |
| 11         | R0201353-00 | Nylon Washer  |               | 2        |
| 12         | R0201350-00 | Hexagon Socket Head Cap Screw M8X35                                     |               | 3        |
| 13         | R0200519-00 | Hexagon Nut,M8  |               | 4        |
| 14         | R0201535-00 | Fixed seat  |               | 1        |
| 15         | R0201536-00 | Rotating shaft  |               | 1        |
| 16         | R0202532-00 | Spring Seat Assembly  |               | 2        |
| 17         | R0201537-00 | Compression Spring  |               | 2        |
| 18         | R0103148-00 | Damper  |               | 1        |

| <b>Ref Number</b> | <b>Part Number</b> | <b>Part Description</b>                        | <b>Context Notes</b> | <b>Quantity</b> |
|-------------------|--------------------|--|----------------------|-----------------|
| 19                | R0200534-00        | Hexagon Bolt, M8×20                            |                      | 9               |
| 20                | R0201539-00        | Hexagon Socket Head Cap Screw M8X35            |                      | 2               |
| 21                | R0200536-00        | Single coil spring lock washer, normal type,φ4 |                      | 2               |
| 22                | R0201541-00        | Subplate                                       |                      | 1               |
| 23                | R0201542-00        | Accelerator                                    |                      | 1               |
| 24                | R0200496-00        | Hexagon Nuts(With Non-Metallic Insert), M8     |                      | 1               |
| 25                | R0204490-00        | Left Operation Assembly                        |                      | 1               |