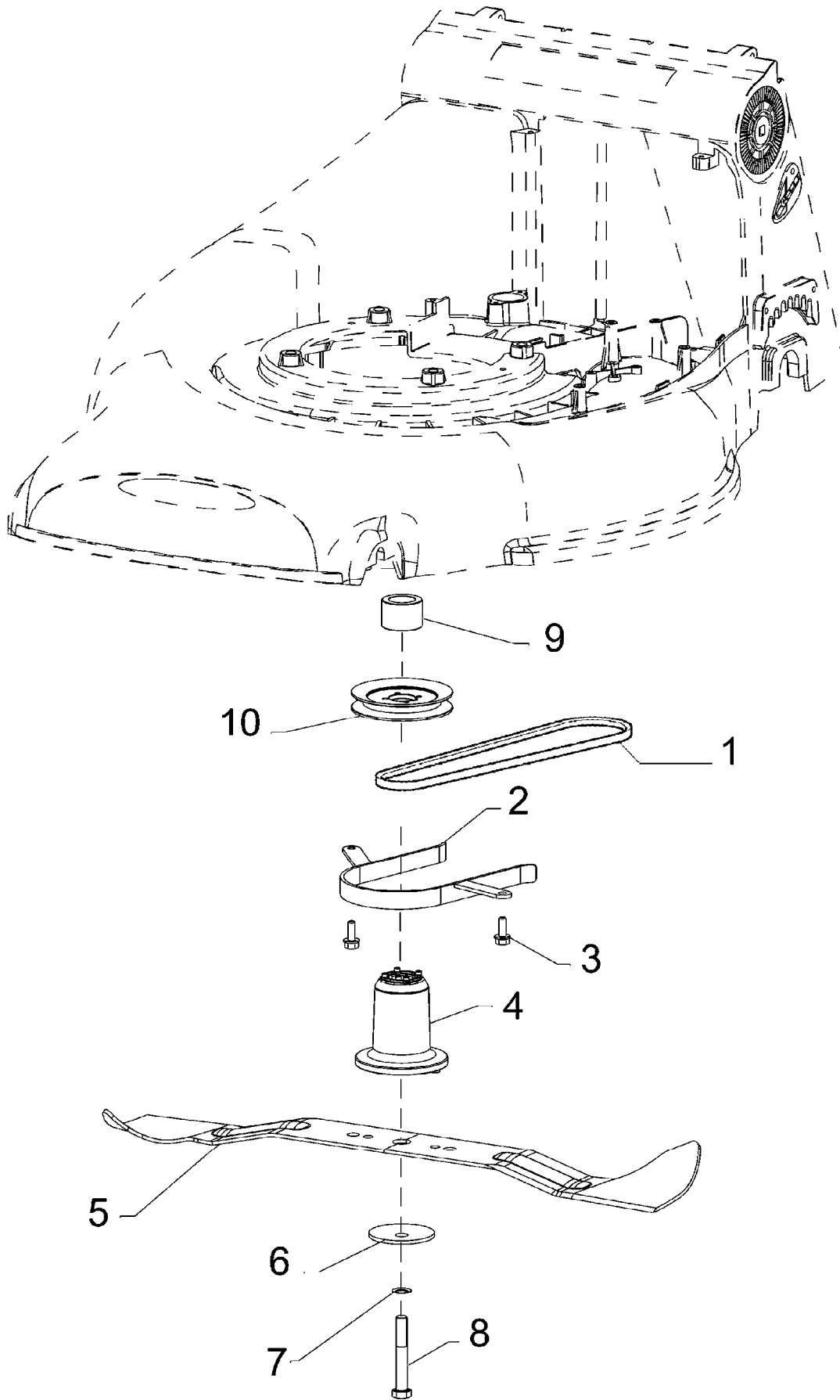
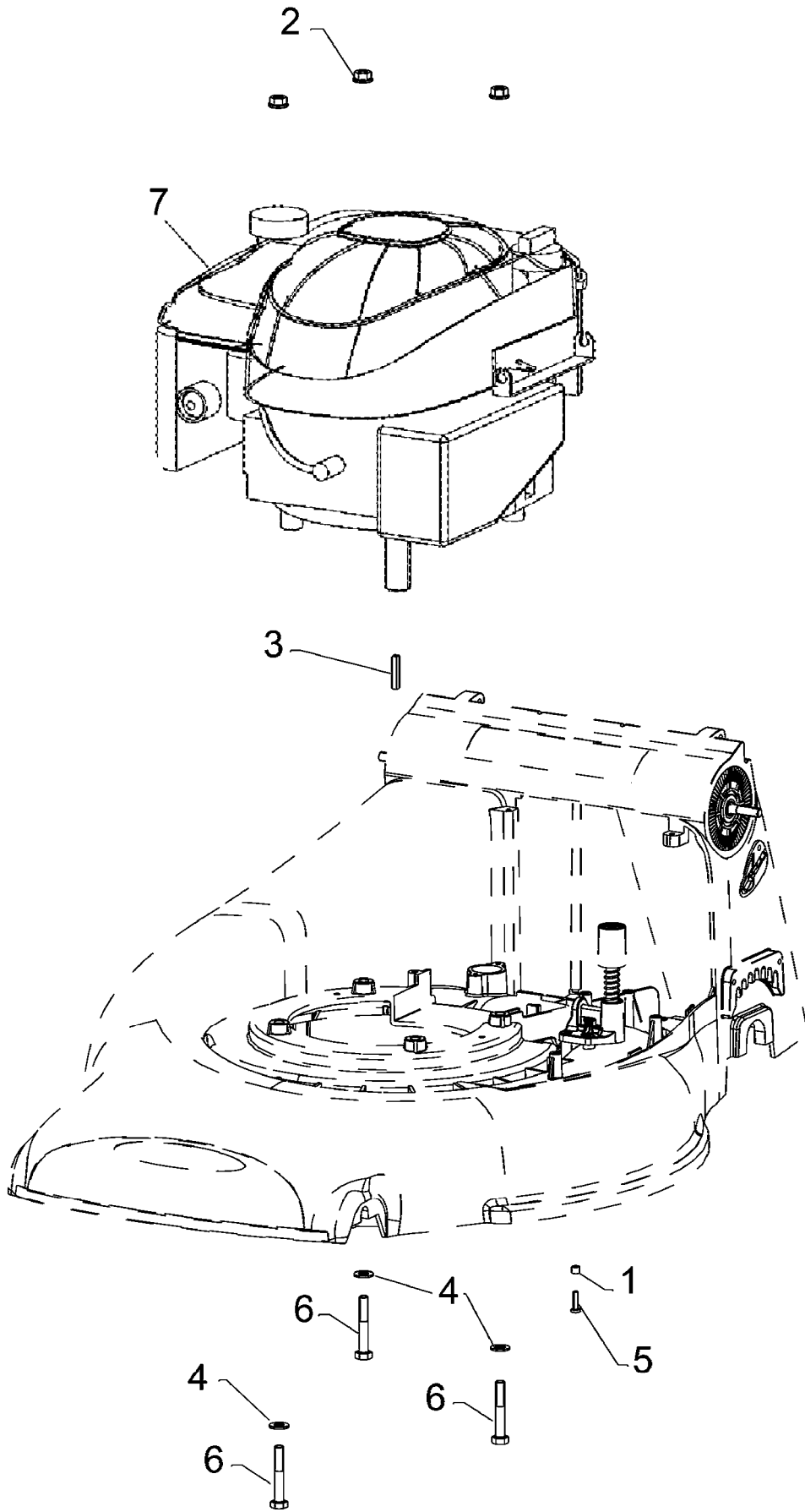


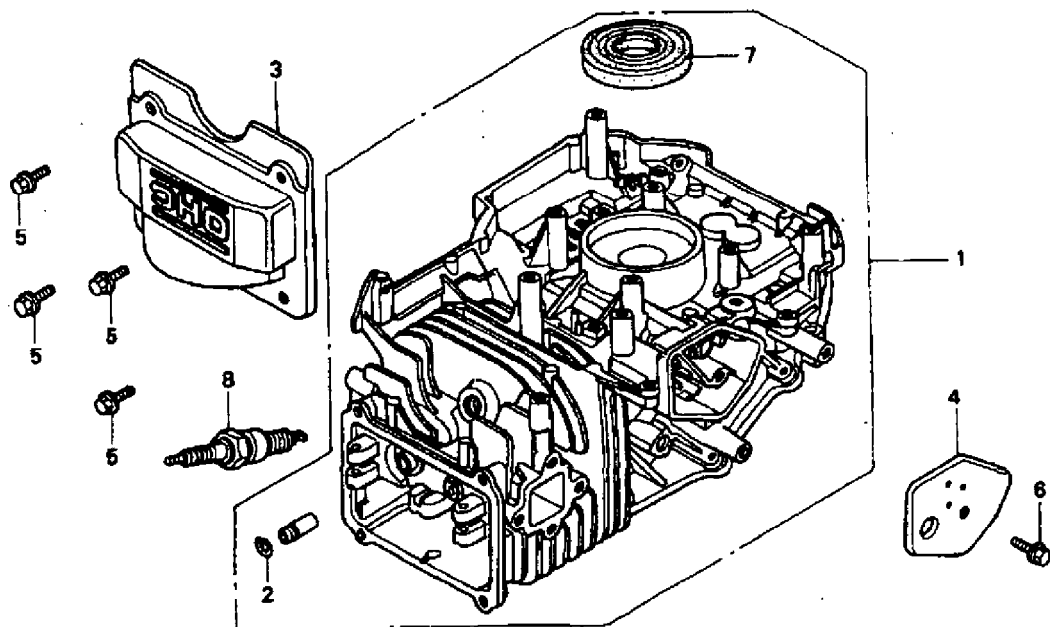
| Ref. ID | Qtà | Codice Articolo | Descrizione |
|---------|-----|-----------------|----------------------|
| 1 | 1 | P3060311 | LEVER |
| 2 | 1 | P3060300ZB | ROD |
| 3 | 1 | P2020485 | FITTING WASHOUT |
| 4 | 1 | P3060194 | BELT HOUSING |
| 5 | 1 | P3060308ZB | U BOLT |
| 6 | 2 | 1050002A1 | NUT |
| 7 | 2 | P3020071ZT | SPRING |
| 8 | 1 | P3020058 | SPRING |
| 9 | 1 | P3170041 | O-RING |
| 10 | 1 | P3040579ZT | SPRING PIN |
| 11 | 1 | P4010724ZB | PLATE |
| 12 | 1 | P3050146VE | CLAMP |
| 13 | 1 | p2020508 | EXTENSION |
| 14 | 1 | P2020479 | BUTTON |
| 15 | 2 | P2020506 | REDUCTION |
| 16 | 1 | P1020089 | WASHER |
| 17 | 3 | P1020168 | WASHER |
| 18 | 1 | 1020008A1 | SPRING WASHER |
| 19 | 1 | P4090021VE | DECK |
| 20 | 2 | P1060020 | STARLOCK |
| 21 | 2 | P1010231 | SCREW |
| 22 | 7 | P1010330 | SCREW |
| 23 | 1 | P1010374 | SCREW |
| 24 | 2 | P1010328 | SCREW |
| 25 | 2 | P1010369 | SCREW |
| 26 | 2 | 1010026A1 | SCREW |
| 27 | 1 | P1010338 | SCREW |
| 28 | 1 | P1010285 | SCREW |
| 29 | 1 | P5140857 | DECAL IBEA |
| 30 | 1 | P5140859 | CUTTING HEIGHT DECAL |
| 31 | 1 | P5140876 | DECAL, HEIGHT OF CUT |
| 32 | 2 | P1060004 | STARLOCK |
| 33 | 1 | P3060368ZB | ROD |
| 34 | 1 | P3060362 | BUTTON |
| 35 | 1 | P3020028 | TRACTION SPRING |
| 36 | 4 | P1010369 | SCREW |
| 37 | 1 | P3050205 | SUPPORT |
| 38 | 1 | P3050201ZB | DETENT |
| 39 | 1 | 1020007A1 | WASHER |



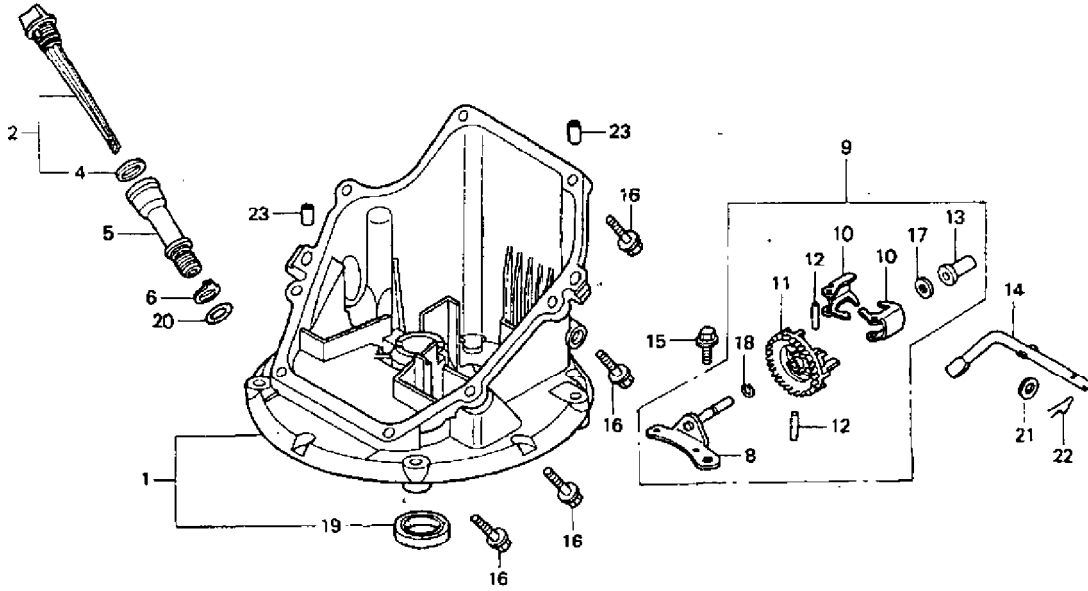
| Ref. ID | Qtà | Codice Articolo | Descrizione |
|---------|-----|-----------------|-------------------|
| 1 | 1 | P3010056 | TRANSMISSION BELT |
| 2 | 1 | P3060393ZB | BELT GUIDE |
| 3 | 2 | P1010360 | SCREW |
| 4 | 1 | P3050148 | BLADE BUSHING |
| 5 | 1 | P4050047VE | BLADE |
| 6 | 1 | 1110002A1 | BELLEVILLE WASHER |
| 7 | 1 | P1020067 | WASHER |
| 8 | 1 | P1010050 | SCREW |
| 9 | 1 | P3040661ZB | SPACER |
| 10 | 1 | P3040657ZB | PULLEY |
| 10 | 1 | P3040761ZB | PULLEY |



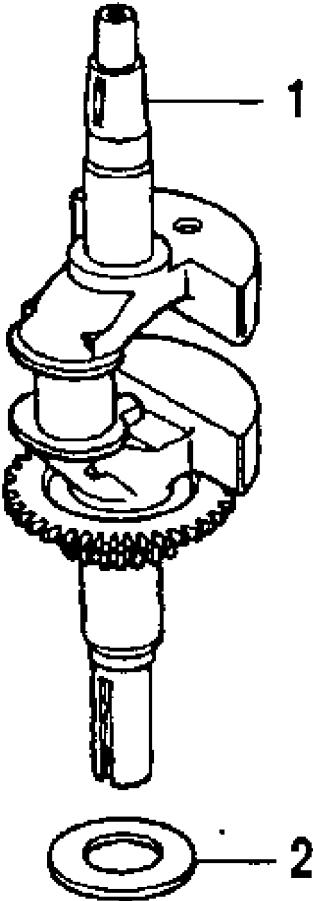
| Ref. ID | Qtà | Codice Articolo | Descrizione |
|---------|-----|-----------------|-------------|
| 1 | 1 | P3040425 | BUSHING |
| 2 | 3 | P1050011 | NUT |
| 3 | 1 | P1090026 | TAB |
| 4 | 3 | 1020014A1 | WASHER |
| 5 | 1 | P1010366 | SCREW |
| 6 | 3 | P1010152 | SCREW |
| 7 | 1 | MOTORE | ENGINE |



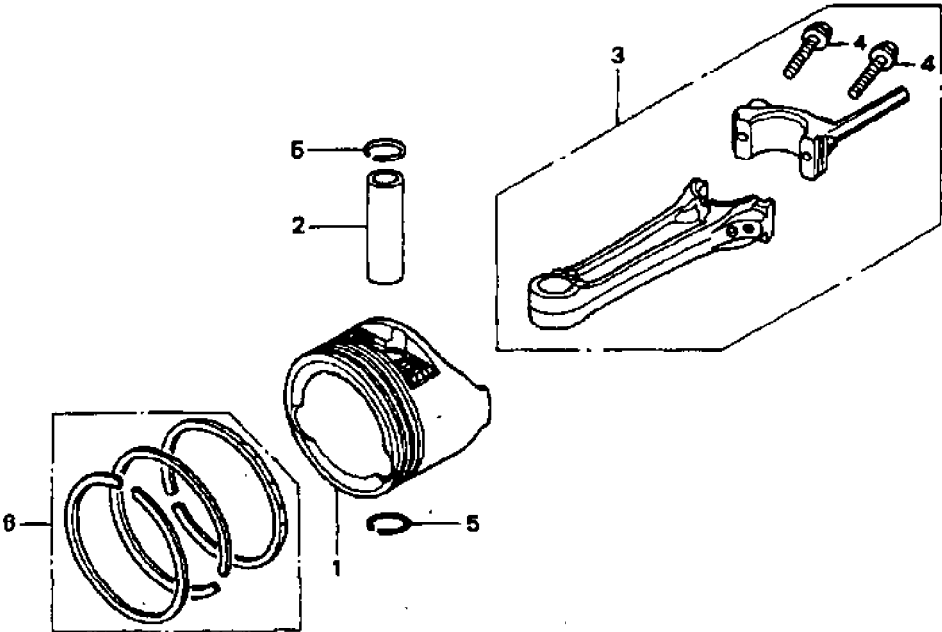
| Ref. ID | Qtà | Codice Articolo | Descrizione |
|---------|-----|-----------------|--------------------|
| 1 | 1 | H12000ZL8000 | CYLINDER ASS.Y |
| 2 | 1 | H12216ZE5300 | CLIP, VALVE GUIDE |
| 3 | 1 | H12311ZL8000 | COVER, HEAD |
| 4 | 1 | H12355ZL8000 | COVER |
| 5 | 4 | H90013883000 | BOLT |
| 6 | 1 | H90014952000 | BOLT |
| 7 | 1 | H91201ZL8003 | OIL SEAL |
| 8 | 1 | H9807956846 | PLUG, SPARK BPR6ES |



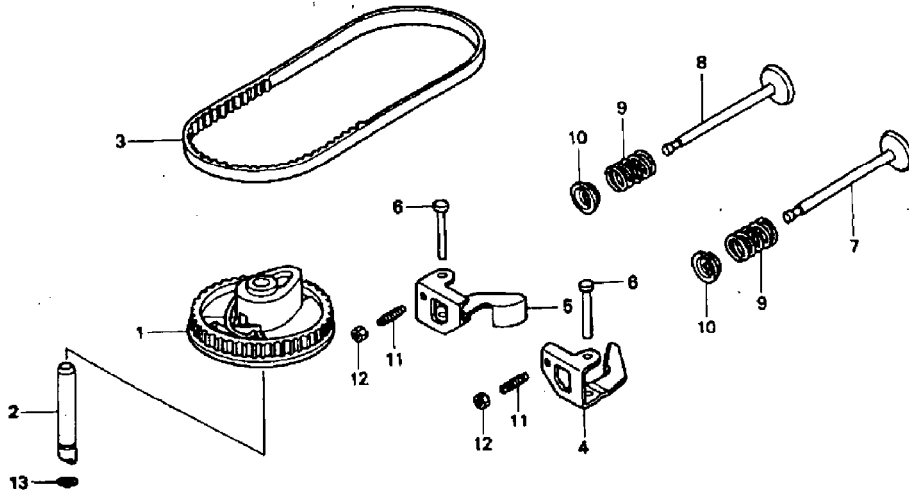
| Ref. ID | Qtà | Codice Articolo | Descrizione |
|---------|-----|-----------------|------------------------|
| 1 | 1 | H11300ZM0810 | PAN ASS.Y, OIL |
| 2 | 1 | H15650ZM0801 | GAUGE ASS.Y, OIL LEVEL |
| 4 | 1 | H15625ZE6000 | GASKET |
| 5 | 1 | H15631ZM0000 | EXTENSION, OIL FILLER |
| 6 | 1 | H15639ZM0000 | WASHER |
| 8 | 1 | H16508ZM0000 | SHAFT |
| 9 | 1 | H16510ZM0000 | GOVERNOR ASS.Y |
| 10 | 2 | H16511ZL8000 | WEIGHT, GOVERNOR |
| 11 | 1 | H16512ZM0000 | GEAR |
| 12 | 2 | H16513ZE1000 | PIN |
| 13 | 1 | H16531ZE1000 | SLIDER |
| 14 | 1 | H16541ZM0000 | SHAFT. GOVERNOR |
| 15 | 1 | H90014952000 | BOLT |
| 16 | 8 | H90121952000 | BOLT |
| 17 | 1 | H90451ZE1000 | WASHER |
| 18 | 1 | H90602ZE1000 | CLIP |
| 19 | 1 | H91202ZL8003 | OIL SEAL |
| 20 | 1 | H91313MB0003 | O-RING |
| 21 | 1 | H9410106800 | WASHER |
| 22 | 1 | H9425108000 | PIN |
| 23 | 2 | H9430108200 | PIN |



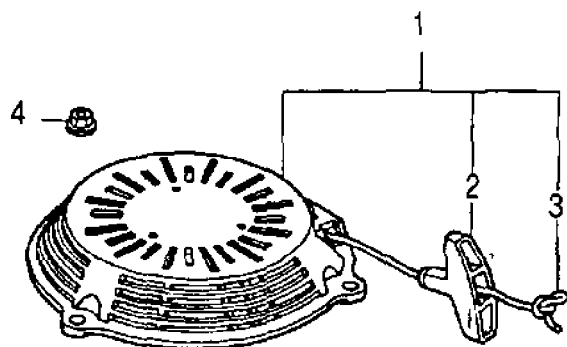
| Ref. ID | Qtà | Codice Articolo | Descrizione |
|---------|-----|-----------------|-------------|
| 1 | 1 | H13310ZM0600 | CRANKSHAFT |
| 2 | 1 | H90402ZL8000 | WASHER |



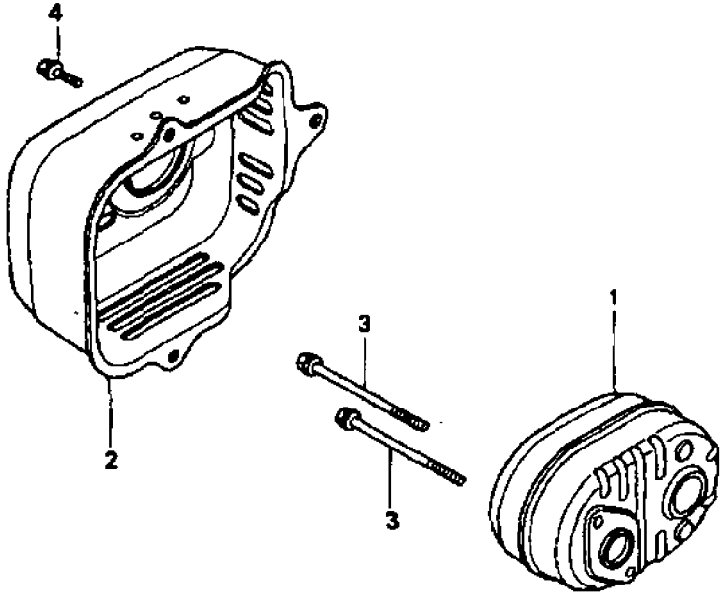
| Ref. ID | Qtà | Codice Articolo | Descrizione |
|---------|-----|-----------------|------------------|
| 1 | 1 | H13101ZL8000 | PISTON |
| 2 | 1 | H13111ZE0000 | PIN, PISTON |
| 3 | 1 | H13200ZL8000 | CONNECTION ROD |
| 4 | 2 | H90001ZE1000 | BOLT |
| 5 | 2 | H90551ZE0000 | CLIP, PISTON PIN |
| 6 | 1 | H13010ZL8003 | RING SET |



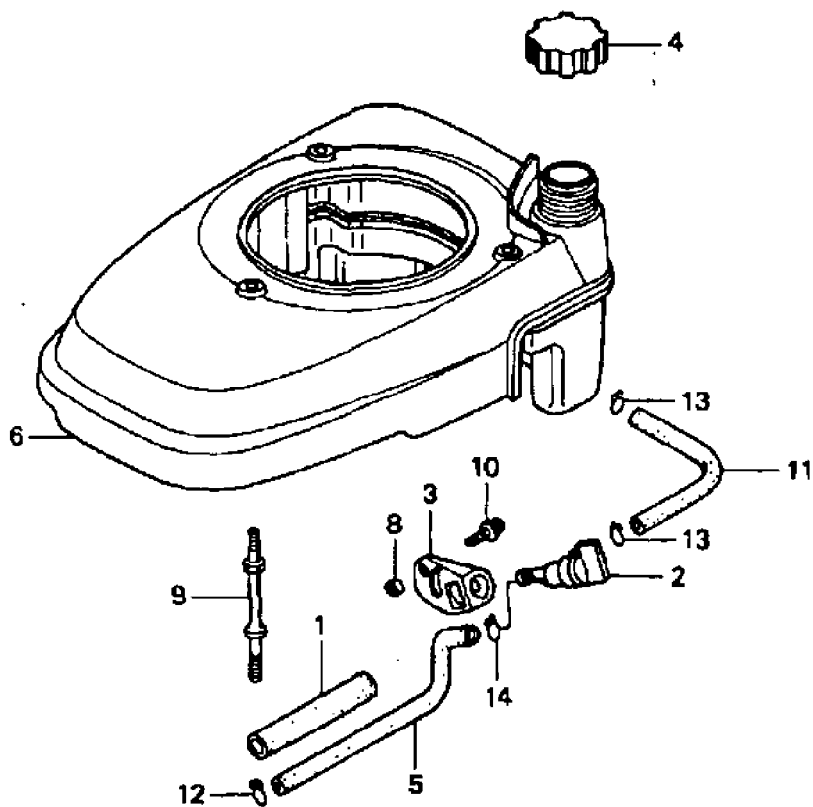
| Ref. ID | Qtà | Codice Articolo | Descrizione |
|---------|-----|-----------------|------------------------|
| 1 | 1 | H14320ZL8000 | PULLEY COMP., CAMSHAFT |
| 2 | 1 | H14324ZL8000 | SHAFT |
| 3 | 1 | H14400ZL8003 | BELT |
| 4 | 1 | H14431ZL8000 | ARM, IN VALVE ROCKER |
| 5 | 1 | H14441ZL8000 | ARM, EX. VALVE ROCKER |
| 6 | 2 | H14461ZL8000 | SHAFT |
| 7 | 1 | H14711ZL8000 | VALVE, IN |
| 8 | 1 | H14721ZL8000 | VALVE, EX. |
| 9 | 2 | H14751ZL8000 | SPRING |
| 10 | 2 | H14771ZE1000 | RETAINER |
| 11 | 2 | H90012333000 | SCREW |
| 12 | 2 | H90206001000 | NUT |
| 13 | 1 | H91301027000 | O-RING |



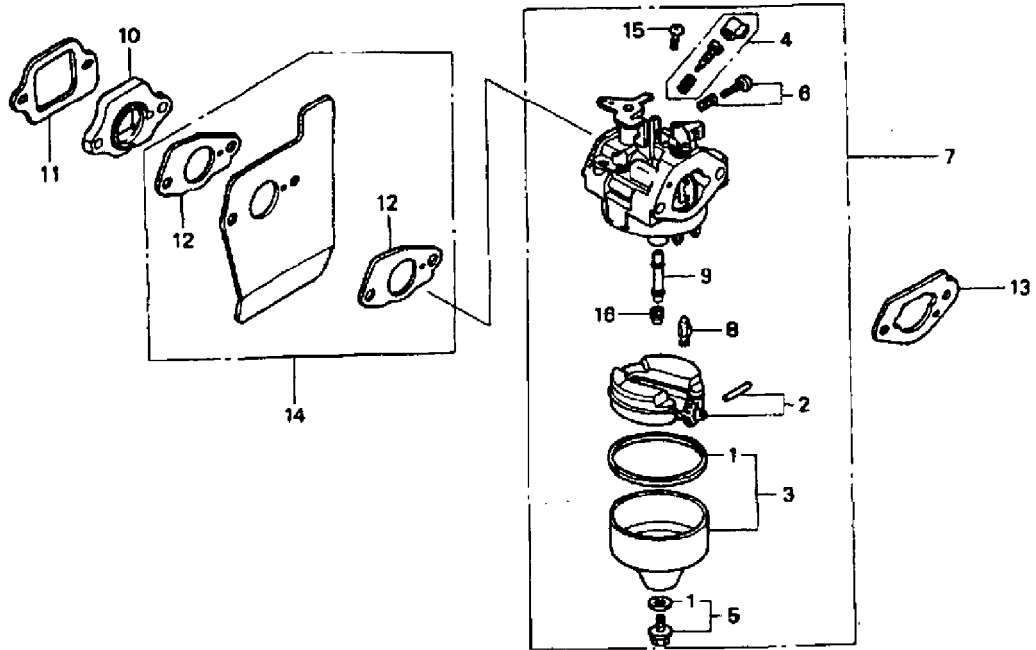
| Ref. ID | Qtà | Codice Articolo | Descrizione |
|---------|-----|-----------------|---------------|
| 1 | 1 | H28400ZM0631 | STARTER ASS.Y |
| 2 | 1 | H28461ZL8003 | GRIP |
| 3 | 1 | H28462ZL8631 | ROPE |
| 4 | 3 | H90303MR100C | NUT |



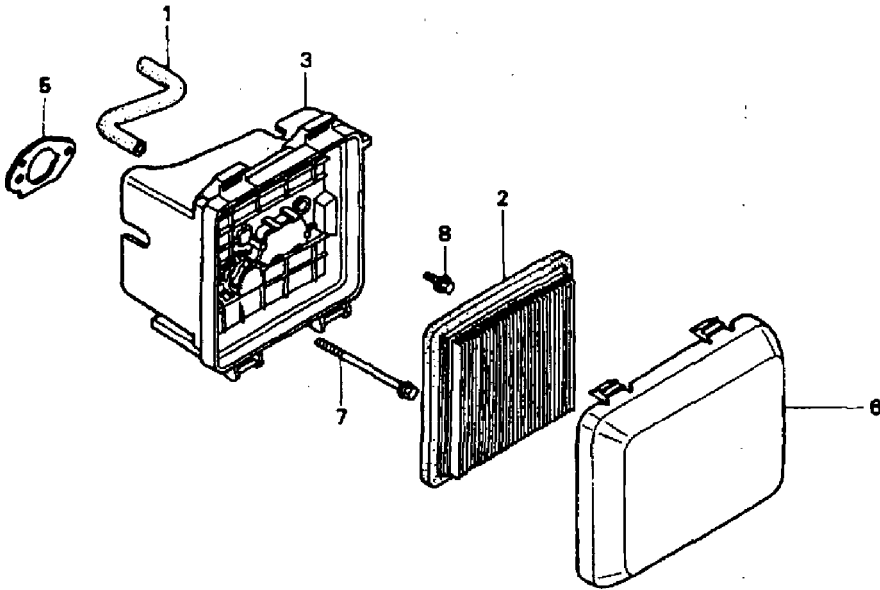
| Ref. ID | Qtà | Codice Articolo | Descrizione |
|---------|-----|-----------------|-------------|
| 1 | 1 | H18310ZM0000 | MUFFLER |
| 2 | 1 | H18321ZL8000 | SHIELD |
| 3 | 2 | H90004ZL8000 | BOLT |
| 4 | 3 | H90013883000 | BOLT |



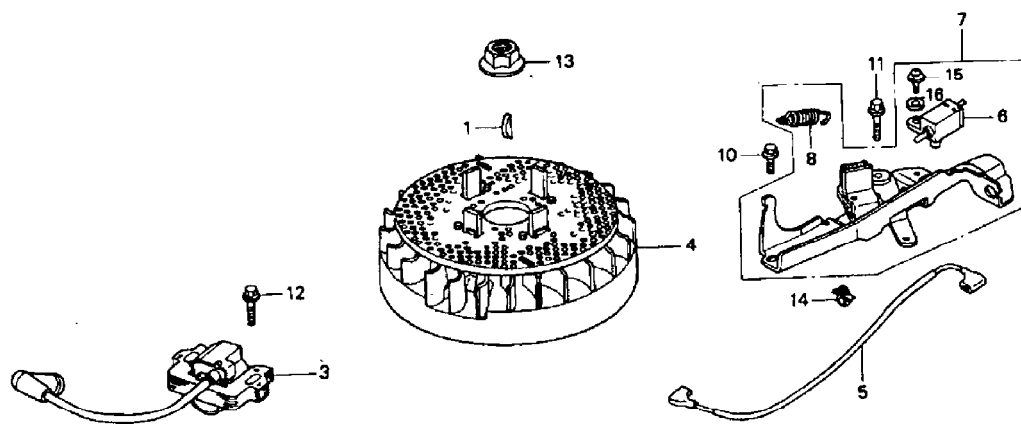
| Ref. ID | Qtà | Codice Articolo | Descrizione |
|---------|-----|-----------------|------------------|
| 1 | 1 | H16854ZH8000 | PIPE |
| 2 | 1 | H16950ZG9M02 | COCK ASS.Y, FUEL |
| 3 | 1 | H16956ZM0000 | PLATE |
| 4 | 1 | H17620ZL8003 | CAP ASSY, FUEL |
| 5 | 1 | H177027M0000 | PIPE |
| 6 | 1 | H19610ZM0000 | TANK |
| 8 | 1 | H33609GK4620 | COLLAR |
| 9 | 3 | H90043ZL8000 | BOLT, STUD |
| 10 | 1 | H93891050100€ | SCREW |
| 11 | 1 | H95001551504C | PIPE |
| 12 | 1 | H9500202080 | CLIP |
| 13 | 2 | H19500202100 | CLIP |
| 14 | 1 | H9500250000 | CLIP |



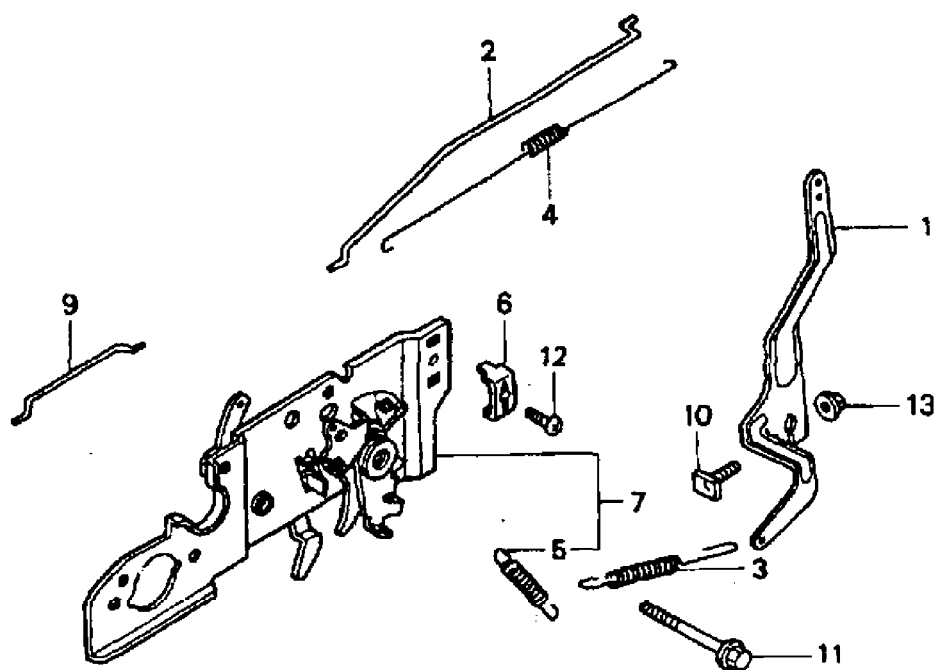
| Ref. ID | Qtà | Codice Articolo | Descrizione |
|---------|-----|-----------------|--------------|
| 1 | 1 | H16010883015 | PACKING |
| 2 | 1 | H16013ZL1003 | FLOAT SET |
| 3 | 1 | H16015892015 | CHAMBER SET |
| 4 | 1 | H16016892005 | SCREW SET |
| 5 | 1 | H16028ZE0005 | SCREW SET |
| 6 | 1 | H16029ZG0901 | SCREW SET |
| 7 | 1 | H16100ZM0013 | CARBURETOR |
| 8 | 1 | H16155ZM0003 | VALVE |
| 9 | 1 | H16166ZM0003 | NOZZLE, MAIN |
| 10 | 1 | H16211ZL8000 | INSULATOR |
| 11 | 1 | H16212ZL8000 | PACKING |
| 12 | 2 | H16221883800 | PACKING |
| 13 | 1 | H16228ZL8000 | PACKING |
| 14 | 1 | H19650ZM0000 | GUIDE COMP. |
| 15 | 1 | H93250050061f | SCREW |
| 16 | 1 | H99101124065c | JET, MAIN |



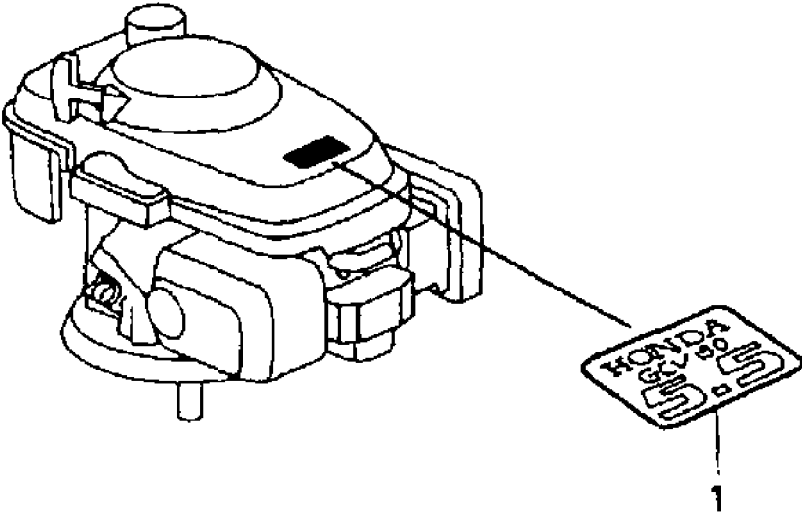
| Ref. ID | Qtà | Codice Articolo | Descrizione |
|---------|-----|-----------------|-----------------|
| 1 | 1 | H15721ZM0000 | PIPE |
| 2 | 1 | H17211ZL8000 | ELEMENT |
| 3 | 1 | H17220ZM0000 | CASE ASS.Y |
| 5 | 1 | H17228ZM0000 | GASKET |
| 6 | 1 | H17231ZM0000 | CAP, AIR FILTER |
| 7 | 2 | H90003ZM0000 | BOLT |
| 8 | 1 | H95701060140€ | BOLT |



| Ref. ID | Qtà | Codice Articolo | Descrizione |
|---------|-----|-----------------|---------------------|
| 1 | 1 | H13331357000 | KEY, WOODRUFF |
| 3 | 1 | H30500ZL8004 | COIL ASSY, IGNITION |
| 4 | 1 | H31105ZM0000 | FLYWHEEL ASS.Y |
| 5 | 1 | H32195ZM0000 | CABLE |
| 6 | 1 | H35120ZM0003 | SWITCH |
| 7 | 1 | H75100ZM0000 | BRAKE |
| 8 | 1 | H75113ZM0000 | SPRING |
| 10 | 1 | H90014952000 | BOLT |
| 11 | 1 | H90018ZE1000 | BOLT |
| 12 | 1 | H90022888010 | BOLT |
| 13 | 1 | H90201878003 | NUT |
| 14 | 1 | H90681959003 | PLATE |
| 15 | 1 | H93892040120C | SCREW |
| 16 | 1 | H9410304000 | WASHER |

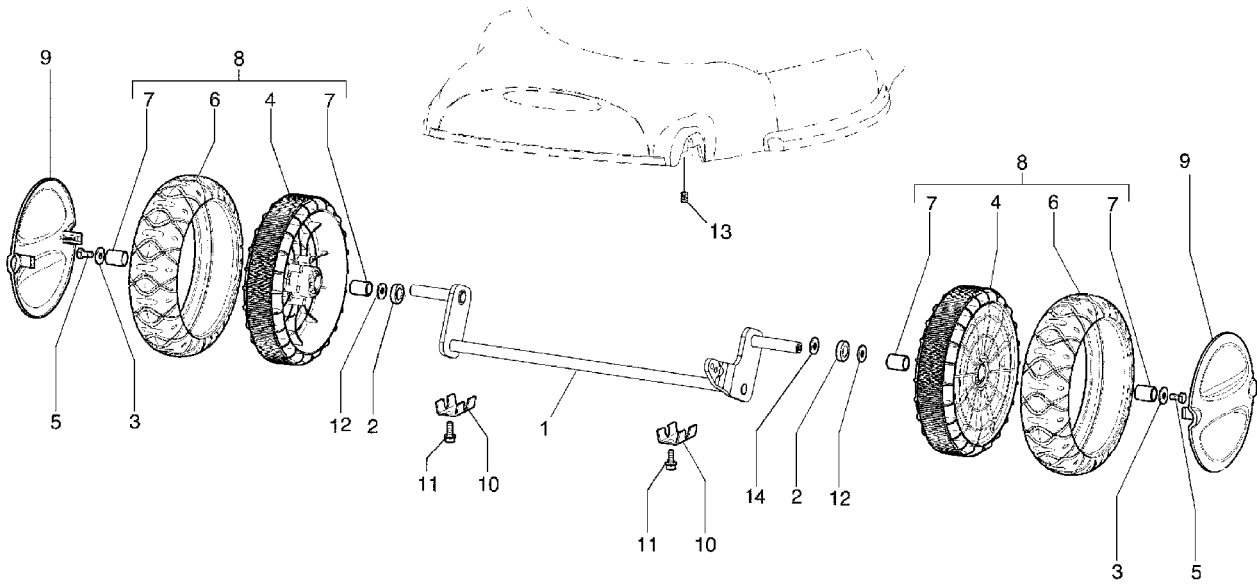


| Ref. ID | Qtà | Codice Articolo | Descrizione |
|---------|-----|-----------------|--------------|
| 1 | 1 | H16551ZM0000 | GOVERNOR ARM |
| 2 | 1 | H16555ZM0000 | ROD |
| 3 | 1 | H16561ZM0000 | SPRING |
| 4 | 1 | H16562ZM0000 | SPRING |
| 5 | 1 | H16576ZE7300 | SPRING |
| 6 | 1 | H16576891000 | HOLDER |
| 7 | 1 | H16580ZM0000 | PLATE |
| 9 | 1 | H16674ZM0000 | ROD |
| 10 | 1 | H90015ZE5010 | BOLT |
| 11 | 1 | H90016ZM0000 | BOLT |
| 12 | 1 | H93500050160/ | SCREW |
| 13 | 1 | H9405006000 | NUT |

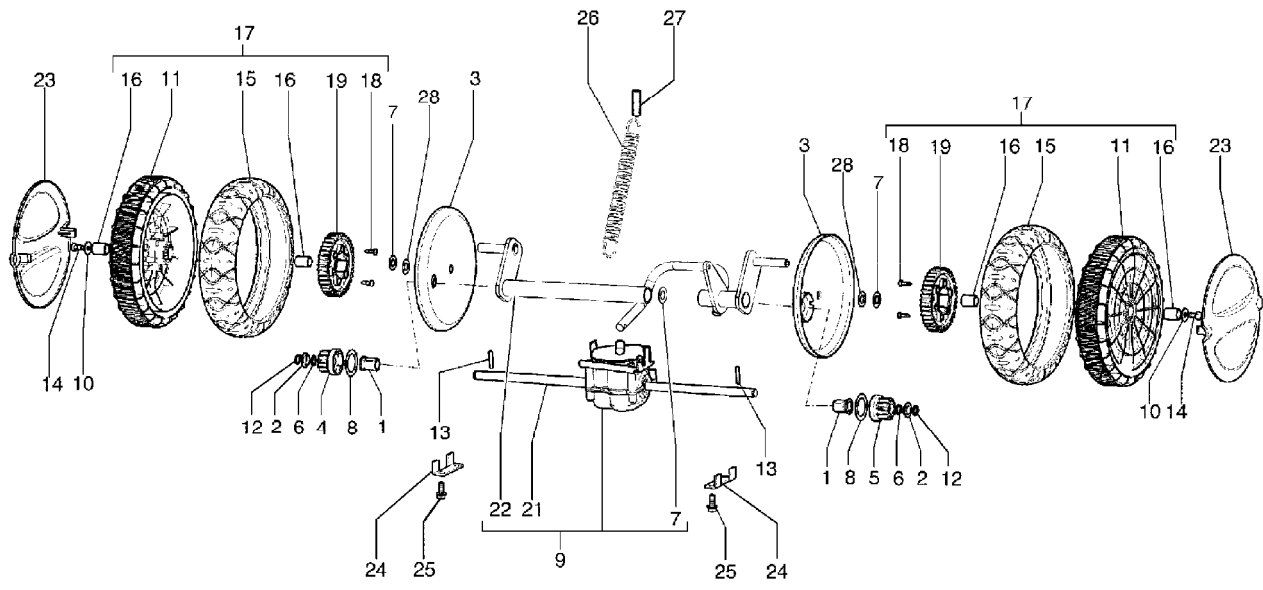


| Ref. ID | Qtà | Codice Articolo | Descrizione |
|---------|-----|-----------------|-------------|
|---------|-----|-----------------|-------------|

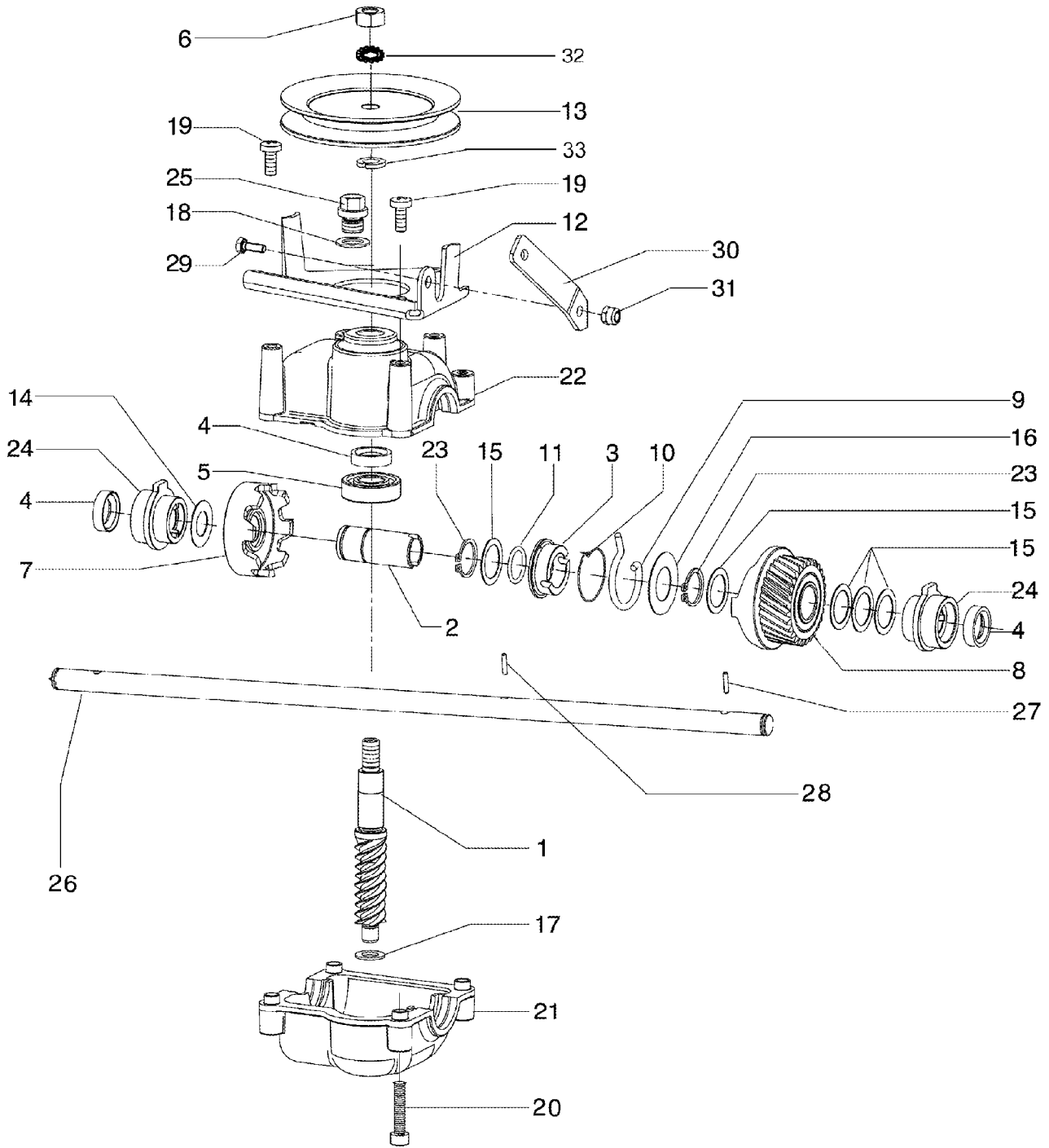
| | | | |
|---|---|--------------|-------|
| 1 | 1 | H87101ZM0000 | LABEL |
|---|---|--------------|-------|



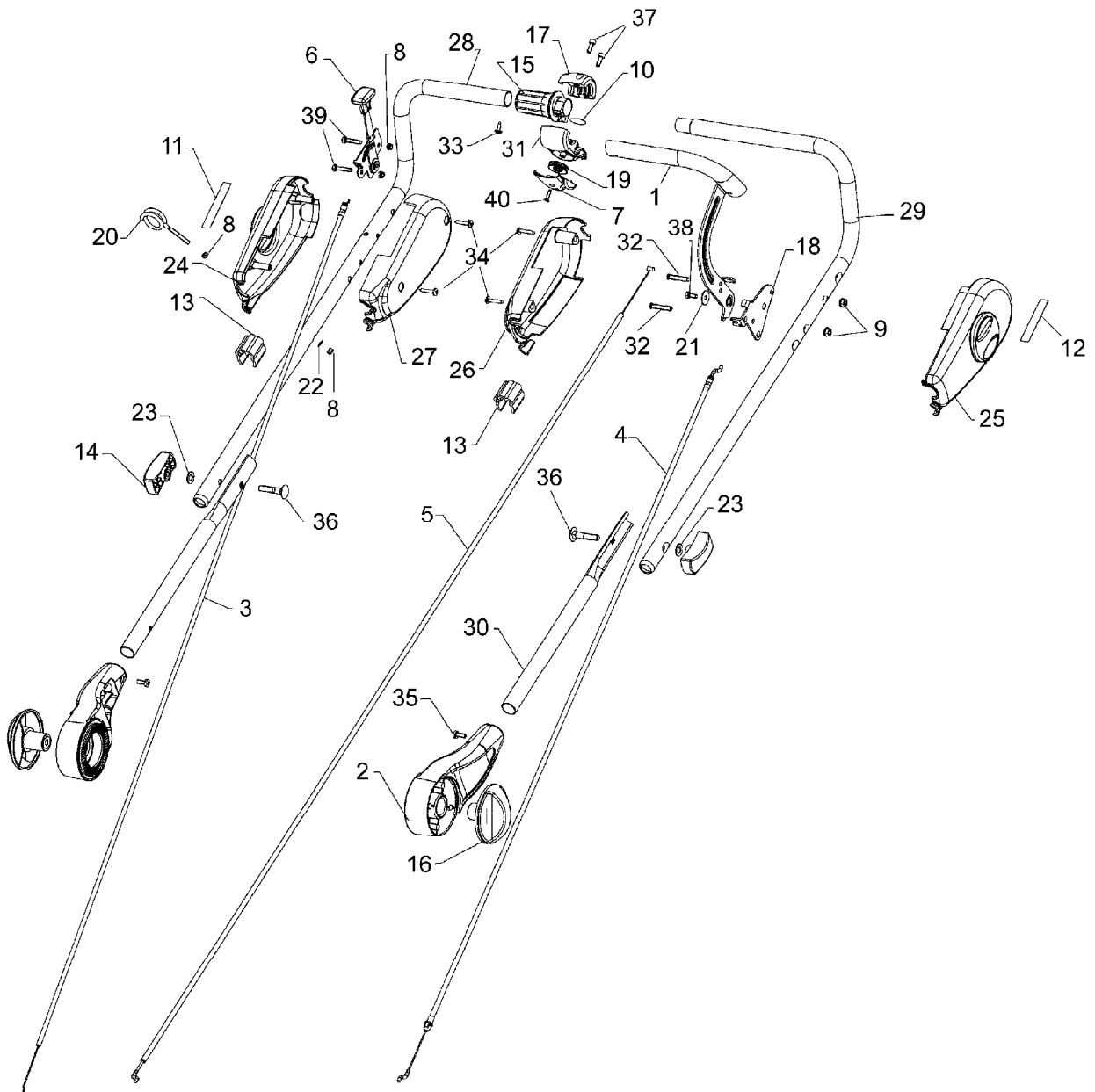
| Ref. ID | Qtà | Codice Articolo | Descrizione |
|---------|-----|-----------------|-------------------|
| 1 | 1 | P3060314ZB | FRONT AXLE |
| 1 | 1 | P3060163ZB | FRONT AXLE |
| 2 | 2 | P2020088 | SPACER |
| 3 | 2 | 1020007A1 | WASHER |
| 4 | 2 | P2020421 | WHEEL HUB |
| 5 | 2 | 1010018A1 | SCREW |
| 6 | 2 | P2020483 | TYRE |
| 7 | 4 | P3050149 | BUSHING |
| 8 | 2 | P2080017 | WHEEL ASSY |
| 9 | 2 | P2020423 | WHEEL HUB COVER |
| 10 | 2 | P4080015 | SUPPORT |
| 11 | 4 | P1010360 | SCREW |
| 12 | 2 | P1020179 | WASHER |
| 13 | 2 | P3020072 | FRONT AXLE SPRING |
| 14 | 2 | P1020123 | WASHER |



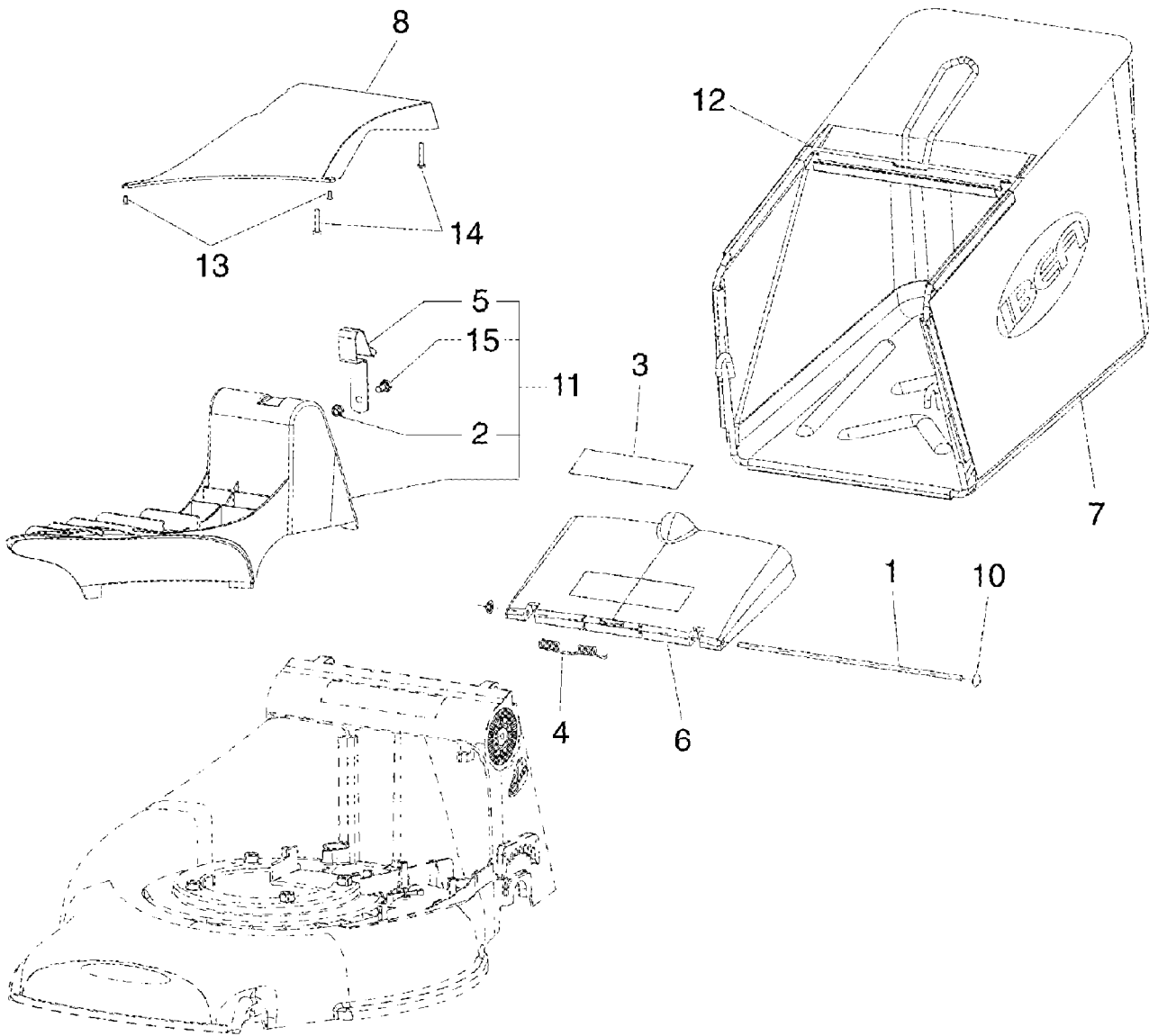
| Ref. ID | Qtà | Codice Articolo | Descrizione |
|---------|-----|-----------------|-----------------|
| 1 | 2 | P2020070 | BUSHING |
| 2 | 2 | P3040580ZT | BUSHING |
| 3 | 2 | P2020420 | WHEEL COVER |
| 4 | 1 | P3050097 | CROWN GEAR |
| 5 | 1 | P3050098 | CROWN GEAR |
| 6 | 2 | P3170013 | O-RING |
| 7 | 3 | 1020020A1 | SPACER |
| 8 | 2 | P1020164 | SPACER |
| 9 | 1 | P2090036 | GEAR BOX ASSY |
| 9 | 1 | P2090067 | GEARBOX ASSY |
| 10 | 2 | 1020007A1 | WASHER |
| 11 | 2 | P2020424 | WHEEL HUB |
| 12 | 2 | 1070001A1 | CIRCLIP |
| 13 | 2 | P1080026 | PIN |
| 14 | 2 | 1010018A1 | SCREW |
| 15 | 2 | P2020484 | TYRE |
| 16 | 4 | P3050149 | BUSHING |
| 17 | 2 | P2080006 | WHEEL ASSY |
| 18 | 4 | P1010364 | SCREW |
| 19 | 2 | P2020427 | CROWN GEAR |
| 21 | 1 | P3040454 | DRIVE SHAFT |
| 22 | 1 | P3060197ZT | REAR AXLE |
| 22 | 1 | P3060360ZB | REAR AXLE |
| 23 | 2 | P2020426 | WHEEL HUB COVER |
| 24 | 2 | P4080044ZT | SUPPORT |
| 25 | 4 | P1010360 | SCREW |
| 26 | 1 | P3020070 | SPRING |
| 27 | 1 | P3040615ZT | AXLE SPRING PIN |
| 28 | 2 | P1020179 | WASHER |



| Ref. ID | Qtà | Codice Articolo | Descrizione |
|---------|-----|-----------------|---------------|
| 1 | 1 | P3040571 | WORM SCREW |
| 2 | 1 | P3040452 | BUSHING |
| 3 | 1 | P3050138 | BUSHING |
| 4 | 3 | P3170011 | OIL SEAL |
| 5 | 1 | P3030010 | BEARING |
| 6 | 1 | P1010008 | NUT |
| 7 | 1 | P3050113 | FLANGE |
| 8 | 1 | P3060170 | CROWN GEAR |
| 9 | 1 | P3020057 | SPRING |
| 10 | 1 | P3020067 | SPRING |
| 11 | 1 | P3170039 | O-RING |
| 12 | 1 | P4010468ZT | PLATE |
| 13 | 1 | P3040570ZT | PULLEY |
| 14 | 1 | 1020020A1 | SPACER |
| 15 | 5 | P1020165 | SPACER |
| 16 | 1 | P1020166 | SPACER |
| 17 | 1 | P1020053 | SPACER |
| 18 | 1 | P3170031 | WASHER |
| 19 | 3 | P1010324 | SCREW |
| 20 | 4 | P1010325 | SCREW |
| 21 | 1 | P3050092 | LOWER HOUSING |
| 22 | 1 | P3050091 | UPPER HOUSING |
| 23 | 2 | P1070019 | CIRCLIP |
| 24 | 2 | P3050115 | SHAFT SUPPORT |
| 25 | 1 | P1010249 | PLUG |
| 26 | 1 | P3040454 | DRIVE SHAFT |
| 27 | 1 | P1080026 | PIN |
| 28 | 1 | P1080015 | PIN |
| 29 | 1 | P1010076 | SCREW |
| 30 | 1 | P4010730ZB | PLATE |
| 31 | 1 | P1010237 | NUT |
| 32 | 1 | P1020074 | WASHER |
| 33 | 1 | P1020053 | SPACER |



| Ref. ID | Qtà | Codice Articolo | Descrizione |
|---------|-----|-----------------|---------------------|
| 1 | 1 | P3060395PLR | LEVER |
| 2 | 2 | P3050104VE | JOINT |
| 3 | 1 | P5020120 | THROTTLE CABLE |
| 4 | 1 | P5010116 | SYSTEM 2 CABLE |
| 5 | 1 | P5010128 | TRACTION CABLE |
| 6 | 1 | P3090081 | THROTTLE CONTROL |
| 7 | 1 | P2020514 | COVER |
| 8 | 4 | 1050002A1 | NUT |
| 9 | 2 | P1050014 | NUT |
| 10 | 1 | P5140901 | "TT" DECAL |
| 11 | 1 | P5140891 | THROTTLE DECAL |
| 12 | 1 | P5140862 | DECAL - SYSTEM 2 |
| 13 | 2 | P2020080 | CABLE LOCK |
| 14 | 2 | P2020478 | KNOB |
| 15 | 1 | P2020523 | KNOB |
| 16 | 2 | P2020428 | KNOB |
| 17 | 1 | P2020516 | CABLE LOCK |
| 18 | 1 | P3090117ZB | PLATE |
| 19 | 1 | P2020513 | PULLEY |
| 20 | 1 | P3100152ZT | STARTER HOLDER |
| 21 | 1 | P1020088 | WASHER |
| 22 | 1 | P1020153 | WASHER |
| 23 | 2 | 1020014A1 | WASHER |
| 24 | 1 | P2020444 | CONTROL HOUSING, RH |
| 25 | 1 | P2020445 | CONTROL HOUSING, LH |
| 26 | 1 | P2020447 | CONTROL HOUSING, LH |
| 27 | 1 | P2020446 | CONTROL HOUSING, RH |
| 28 | 1 | P3120185VE | HANDLE RH |
| 29 | 1 | P3120184VE | HANDLE LH |
| 30 | 2 | P3120167VE | LOWER HANDLE |
| 31 | 1 | P2020512 | SUPPORT |
| 32 | 2 | P1010331 | SCREW |
| 33 | 1 | P1010231 | SCREW |
| 34 | 4 | P1010133 | SCREW |
| 35 | 2 | P1010330 | SCREW |
| 36 | 2 | 1010026A1 | SCREW |
| 37 | 2 | P1010121 | SCREW |
| 38 | 1 | P1010076 | SCREW |
| 39 | 2 | P1010174 | SCREW |
| 40 | 1 | P1010115 | SCREW |



| Ref. ID | Qtà | Codice Articolo | Descrizione |
|---------|-----|-----------------|---------------|
| 1 | 1 | P3100190ZT | ROD |
| 2 | 1 | P1050036 | NUT |
| 3 | 1 | P5140860 | SAFETY DECAL |
| 4 | 1 | P3020060ZB | SPRING |
| 5 | 1 | P4010704ZB | SPRING |
| 6 | 1 | P2020432 | SHIELD |
| 7 | 1 | P3160070 | BAG |
| 8 | 1 | P2020507 | CHUTE DOOR |
| 10 | 2 | P1060004 | STARLOCK |
| 11 | 1 | P3060313 | MULCHING PLUG |
| 12 | 1 | P3060144VE | BAG FRAME |
| 13 | 2 | P1010356 | SCREW |
| 14 | 2 | P1010178 | SCREW |
| 15 | 1 | P1010119 | SCREW |