



PARTS LIST

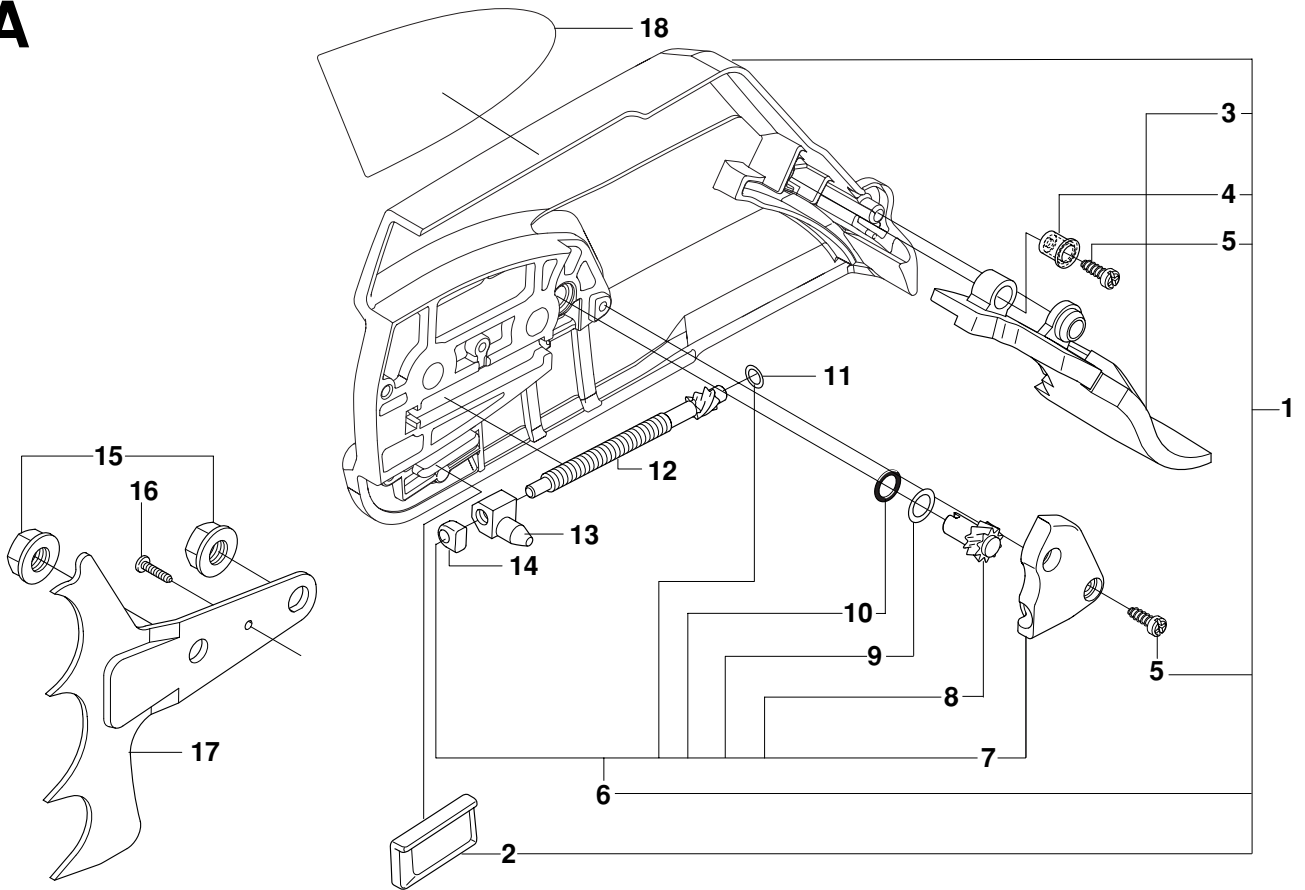
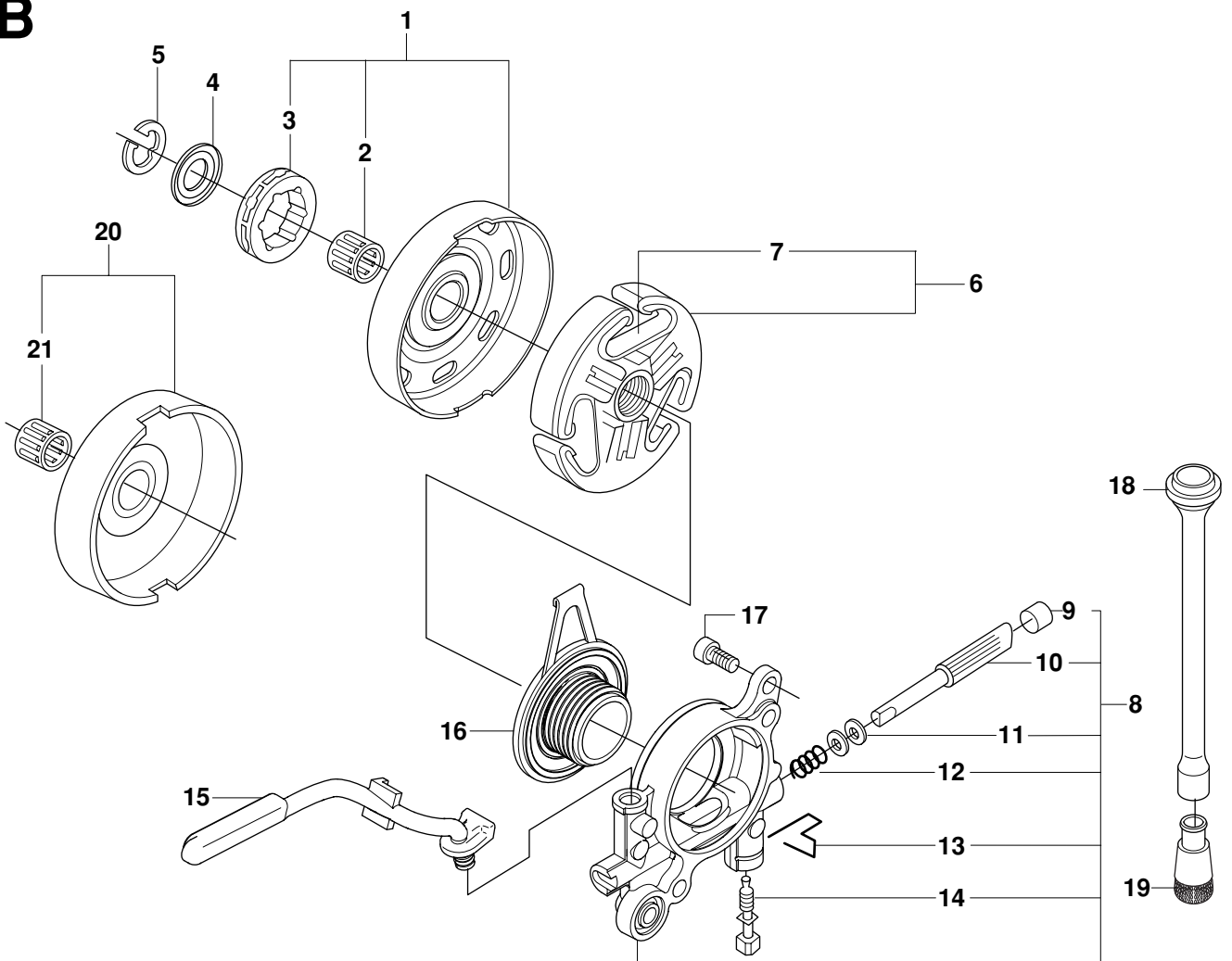
CHAIN SAW

GZ7000

NOTE :

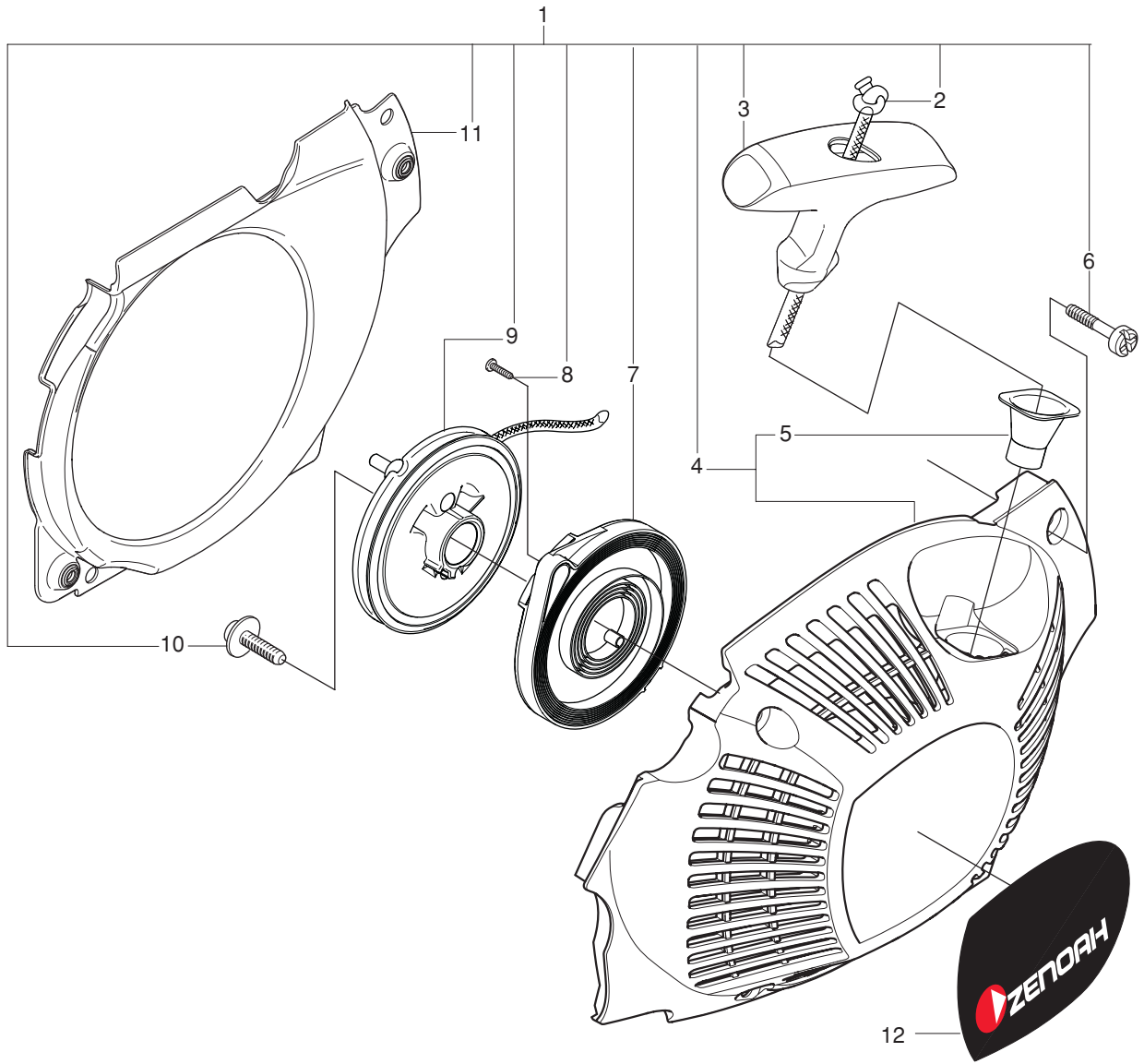
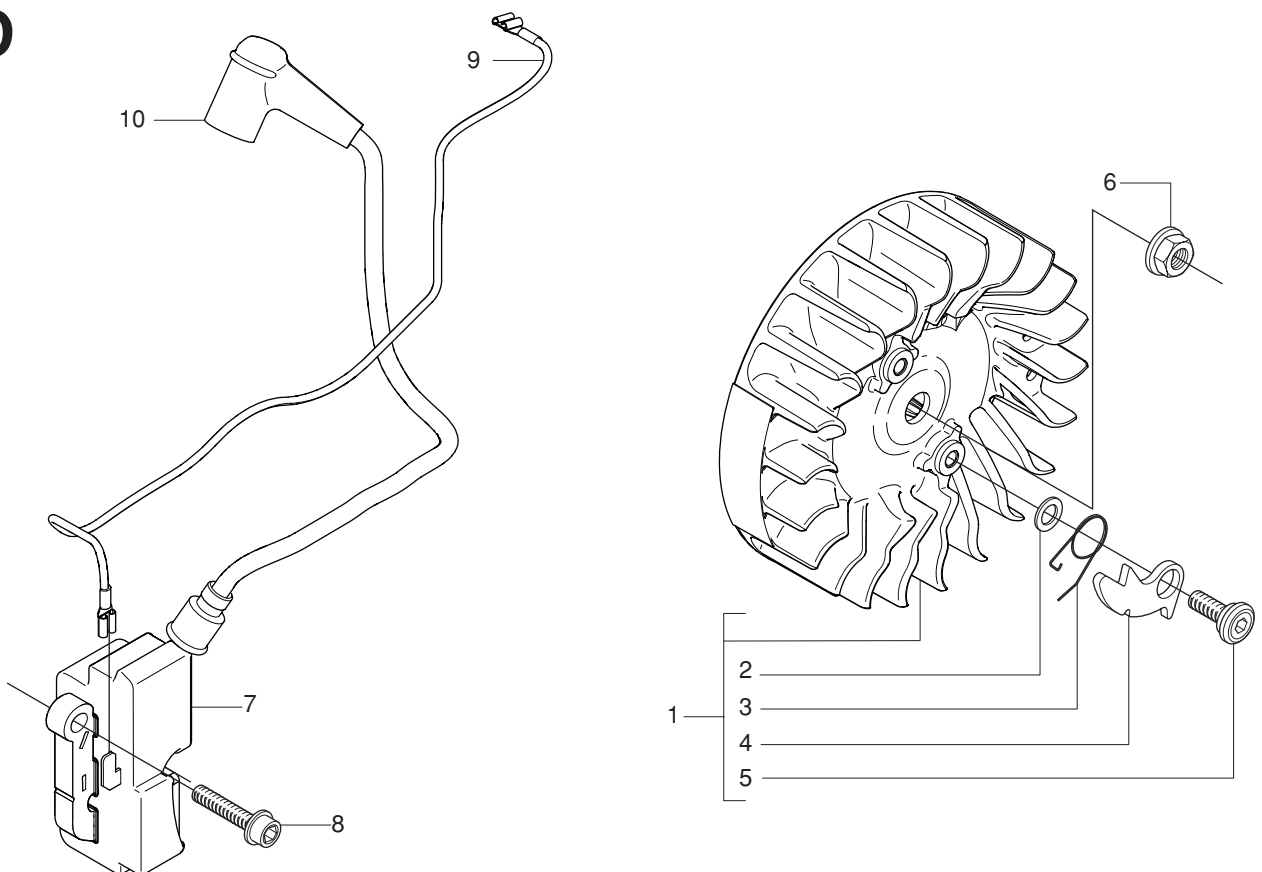
1. Use ZENOAH genuine parts specified in the parts list for repair and/or replacement.
2. ZENOAH does not warrant the machines, those which have been damaged by the use of any parts other than those specified by the company.
3. When placing orders of parts for repair and/or replacement, check if the model name and the serial number are suitable to those specified in the parts list, then use parts number described in the parts list.
4. The contents described in the parts list may change due to improvement.
5. The parts for the machine shall be supplied within ten (10) years after the machine is discontinued.

[It is possible that some specific parts may be subject to change of their delivery term and list price within the limit of ten (10) years after the machine is discontinued. And it is also possible that some parts may be available even after the limit of ten (10) years.]

A**B**

A				
Key#	PART NUMBER	DESCRIPTION	QTY/UNIT	NOTE
1	505 12 98-03	CLUTCH COVER ASSY	1	
2	501 51 72-01	·CHAIN GUIDE	1	
3	503 76 29-02	·CHIP GUARD	1	
4	503 89 70-01	·SLEEVE	1	
5	503 21 28-10	·SCREW CCRPANT	1	
6	537 04 41-02	CHAIN TENSIONER	1	
7	537 01 68-01	·COVER	1	Kit
8	537 07 94-02	·WORM WHEEL	1	
9	503 23 00-63	·WASHER STEEL	1	
10	740 48 07-02	·O-RING	1	
11	503 23 00-66	·WASHER STEEL	1	
12	537 07 95-02	·WORM SCREW	1	
13	503 99 83-01	·PAWL	1	
14	537 01 74-01	·BEARING SLEEVE	1	
15	503 22 00-01	NUT FLANGE	2	
16	503 21 28-10	SCREW CCRPANT	2	
17	503 71 97-01	SPIKE OUTER	1	
18	510 10 05-01	LABEL	1	

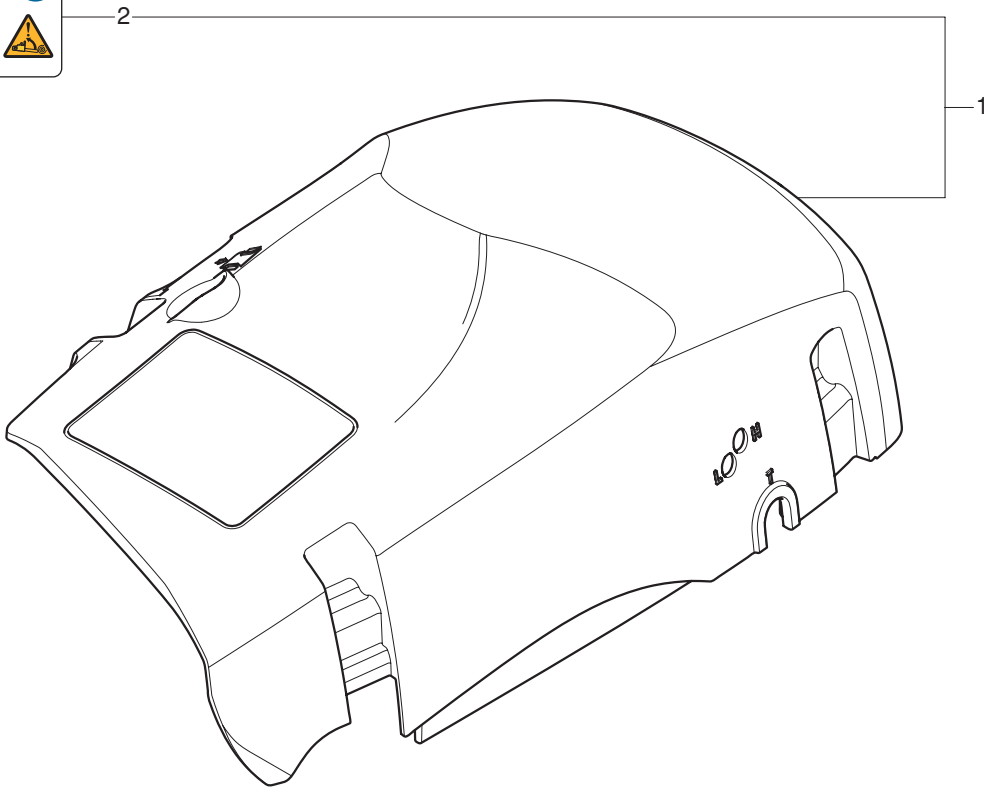
B				
Key#	PART NUMBER	DESCRIPTION	QTY/UNIT	NOTE
1	502 44 04-02	CLUTCH DRUM	1	3/8"x7T
1	502 44 04-03	CLUTCH DRUM	1	3/8"x8T
2	503 43 20-01	·NEEDLE HOLDER	1	
3	501 59 80-02	·GEAR WHEEL	1	3/8"x7T
3	505 30 36-61	·GEAR WHEEL	1	3/8"x8T
4	503 75 24-01	WASHER	1	
5	503 27 21-01	LOCK WASHER	1	
6	503 74 44-05	CLUTCH ASSY	1	
7	537 36 06-01	·CLUTCH SPRING	3	
8	503 52 13-03	OIL PUMP ASSY	1	
9	503 62 49-01	·SEALING PLUG	1	
10	503 52 15-01	·PUMP PISTON	1	
11	503 23 00-04	·WASHER STEEL	2	
12	501 61 58-01	·SPRING	1	
13	503 81 30-01	·SPRING	1	
14	503 81 13-01	·PIN SCREW	1	
15	537 20 91-01	OIL PRESSURE HOSE	1	
16	537 20 78-04	PUMP PINION	1	
17	503 20 53-01	SCREW IHSCM	2	
18	501 89 53-01	OIL HOSE	1	
19	501 54 41-02	OIL SCREEN	1	
20	503 86 17-03	CLUTCH DRUM	1	
21	503 43 20-01	·NEEDLE HOLDER	1	

C**D**

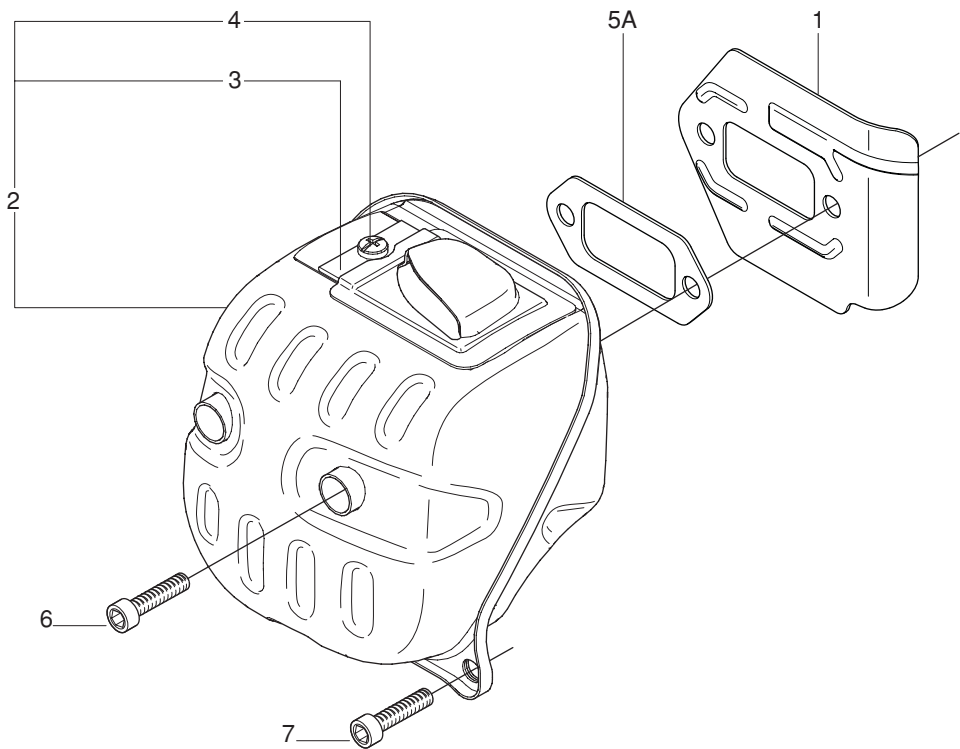
C				
Key#	PART NUMBER	DESCRIPTION	QTY/UNIT	NOTE
1	505 12 49-02	STARTER ASSY	1	
2	505 30 51-25	·STARTER CORD	1	
3	544 37 65-01	·STARTER HANDLE	1	
4	505 09 50-01	·STARTER HOUSING	1	
5	537 28 32-01	··REINFORCEMENT SLEEVE	1	
6	544 08 03-01	·SCREW	4	
7	537 28 34-01	·SPRING CASSETTE ASSY	1	
8	503 21 28-13	·SCREW CCRPANT	2	
9	537 20 24-01	·STARTER PULLEY ASSY	1	
10	503 20 52-16	·SCREW IHSCFMT	1	
11	537 20 26-01	·AIR CONDUCTOR	1	
12	510 10 04-01	LABEL	1	

D				
Key#	PART NUMBER	DESCRIPTION	QTY/UNIT	NOTE
1	537 20 96-01	FLYWHEEL ASSY	2	
2	503 23 00-42	·WASHER STEEL	2	
3	501 67 35-01	·SPRING	2	
4	501 67 32-01	·PAWL	2	
5	501 81 99-01	·SCREW	2	
6	503 22 04-01	NUT	1	
7	510 11 57-01	IGNITION MODULE	1	
8	503 20 02-20	SCREW IHSCFM	1	
9	537 20 86-01	SHORT CIRCUIT CABLE	1	
10	501 48 54-02	SPARK PLUG CAP	1	

E



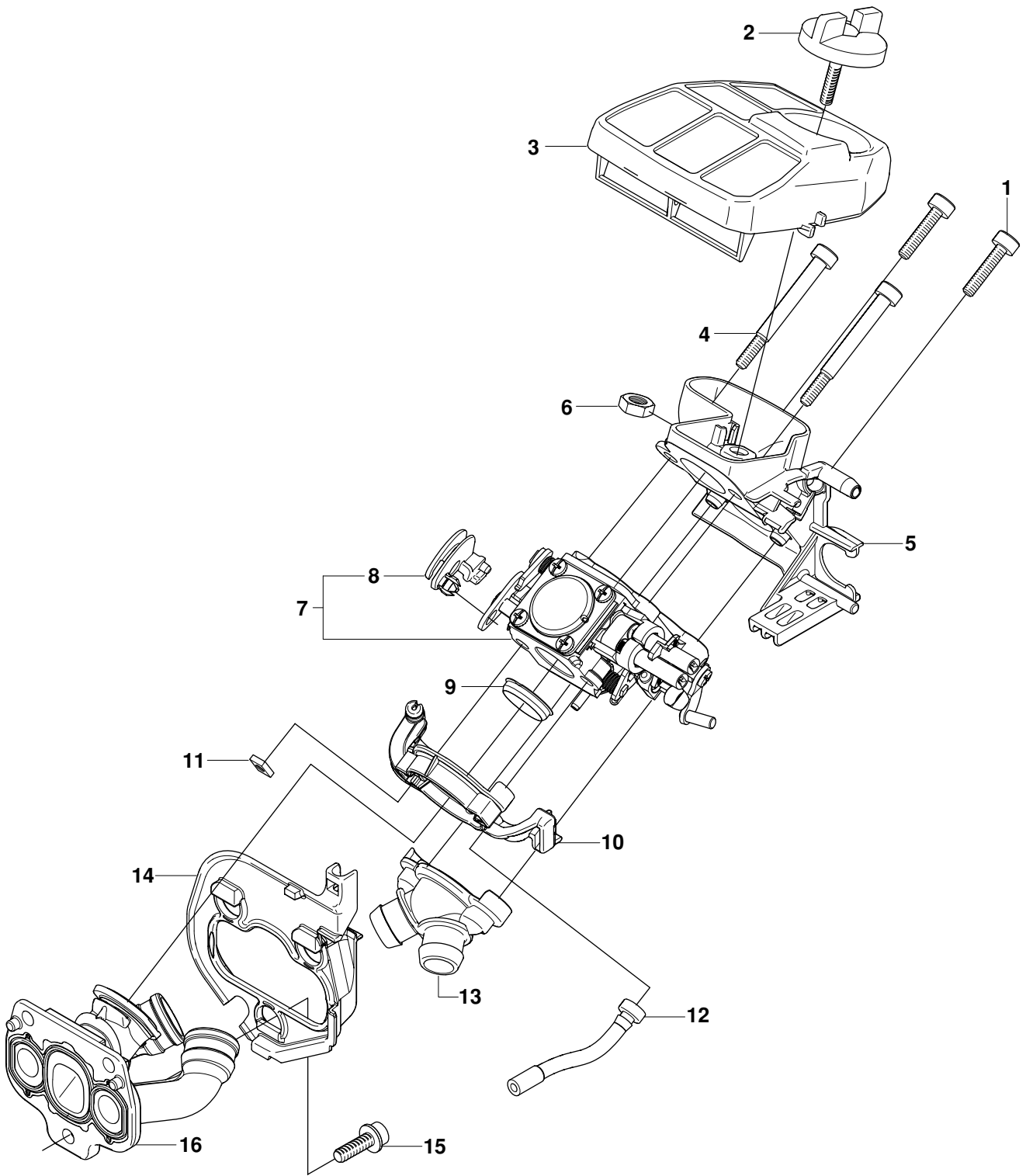
F



E				
Key#	PART NUMBER	DESCRIPTION	QTY/UNIT	NOTE
1	537 21 25-05	CYLINDER COVER	1	
2	522 51 14-01	•LABEL	1	

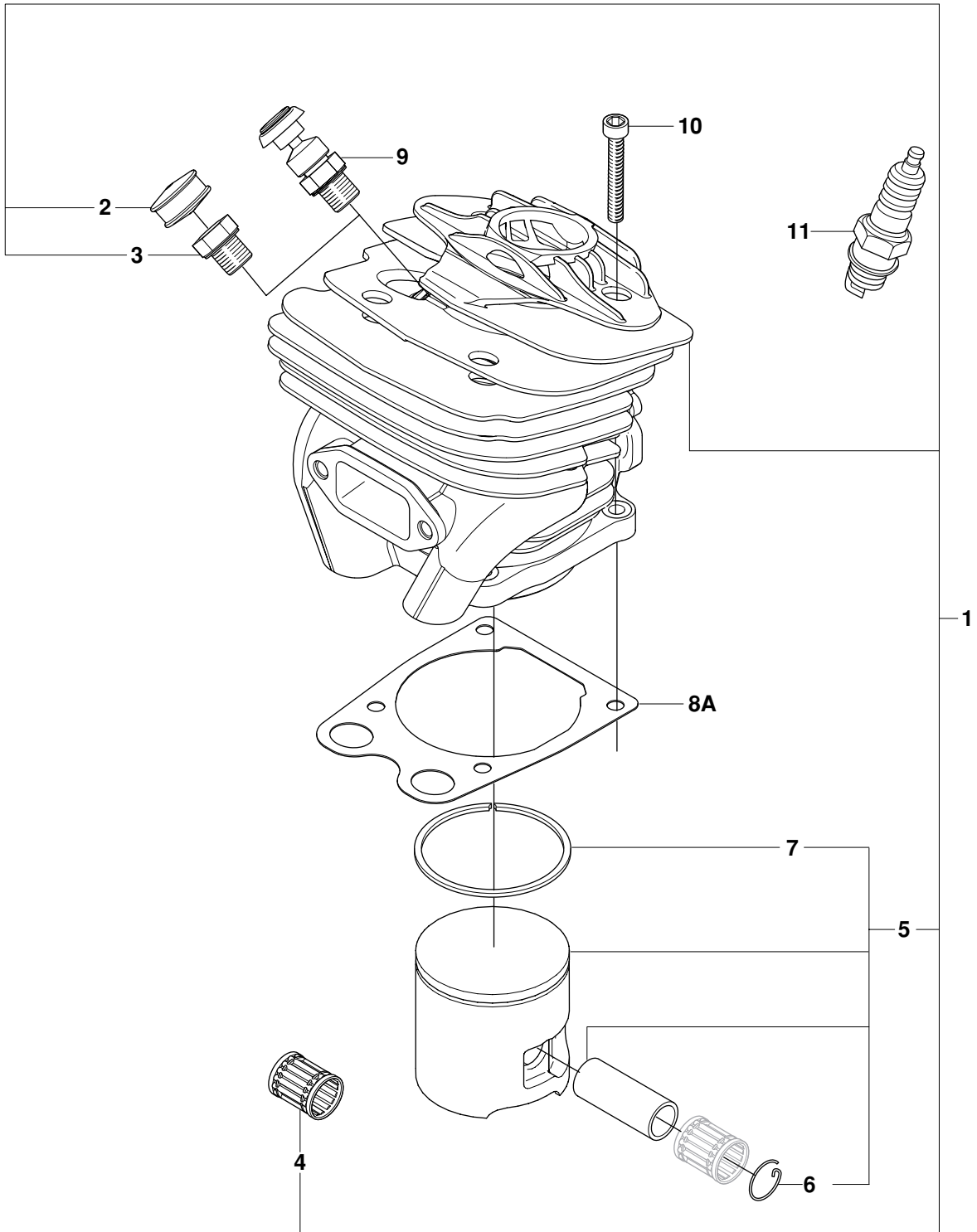
F				
Key#	PART NUMBER	DESCRIPTION	QTY/UNIT	NOTE
1	537 21 06-01	HEAT DEFLECTOR	1	
2	544 03 02-01	MUFFLER ASSY	1	
3	503 76 64-02	•SPARK ARRESTOR SCREEN	1	
4	724 12 87-59	•SCREW CRPANM	1	
5	537 21 26-01	GASKET KIT	1	SET OF GASKETS
5A	537 20 82-01	•GASKET	1	
6	725 53 70-55	SKRUV MC6S 6X20-12.9	2	

G



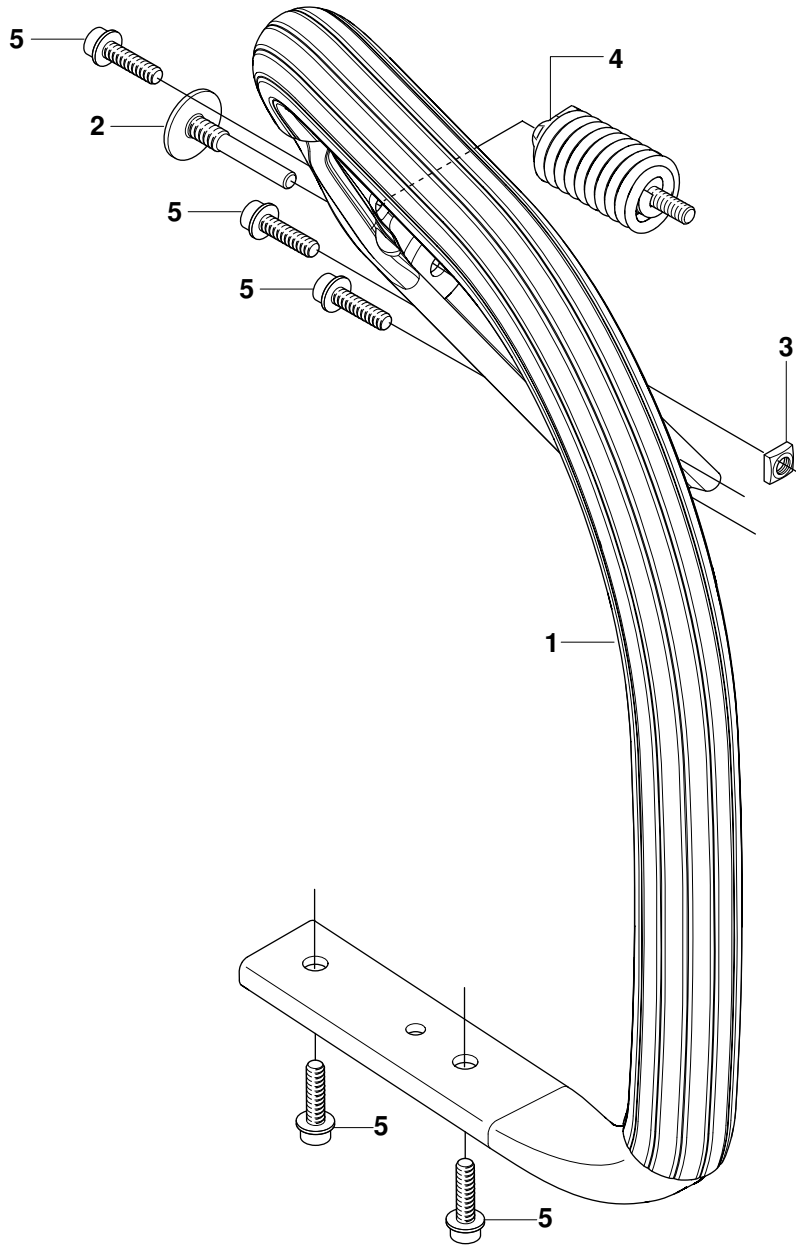
G				
Key#	PART NUMBER	DESCRIPTION	QTY/UNIT	NOTE
1	503 20 25-20	SCREW IHSCM	2	
2	537 21 32-01	KNOB	1	
3	537 20 66-02	AIR FILTER ASSY	1	44My
3	537 20 66-03	AIR FILTER ASSY	1	FELT
4	503 20 39-01	SCREW IHSCM	2	
5	537 20 50-01	FILTER HOLDER	1	
6	731 23 14-01	·NUT	1	
7	544 19 98-01	CARBURETTOR	1	
8	537 21 37-01	·LEVER	1	
9	537 20 46-01	SUPPORT SLEEVE	1	
10	537 20 45-01	FLANGE	1	
11	503 22 65-03	·NUT SQUARE	2	
12	537 20 37-01	IMPULSE HOSE	1	
13	537 20 49-01	FLANGE	1	
14	537 20 47-01	INSULATION WALL	1	
15	503 20 02-16	SCREW IHSCFM	3	
16	537 20 43-01	INLET PIPE	1	

H



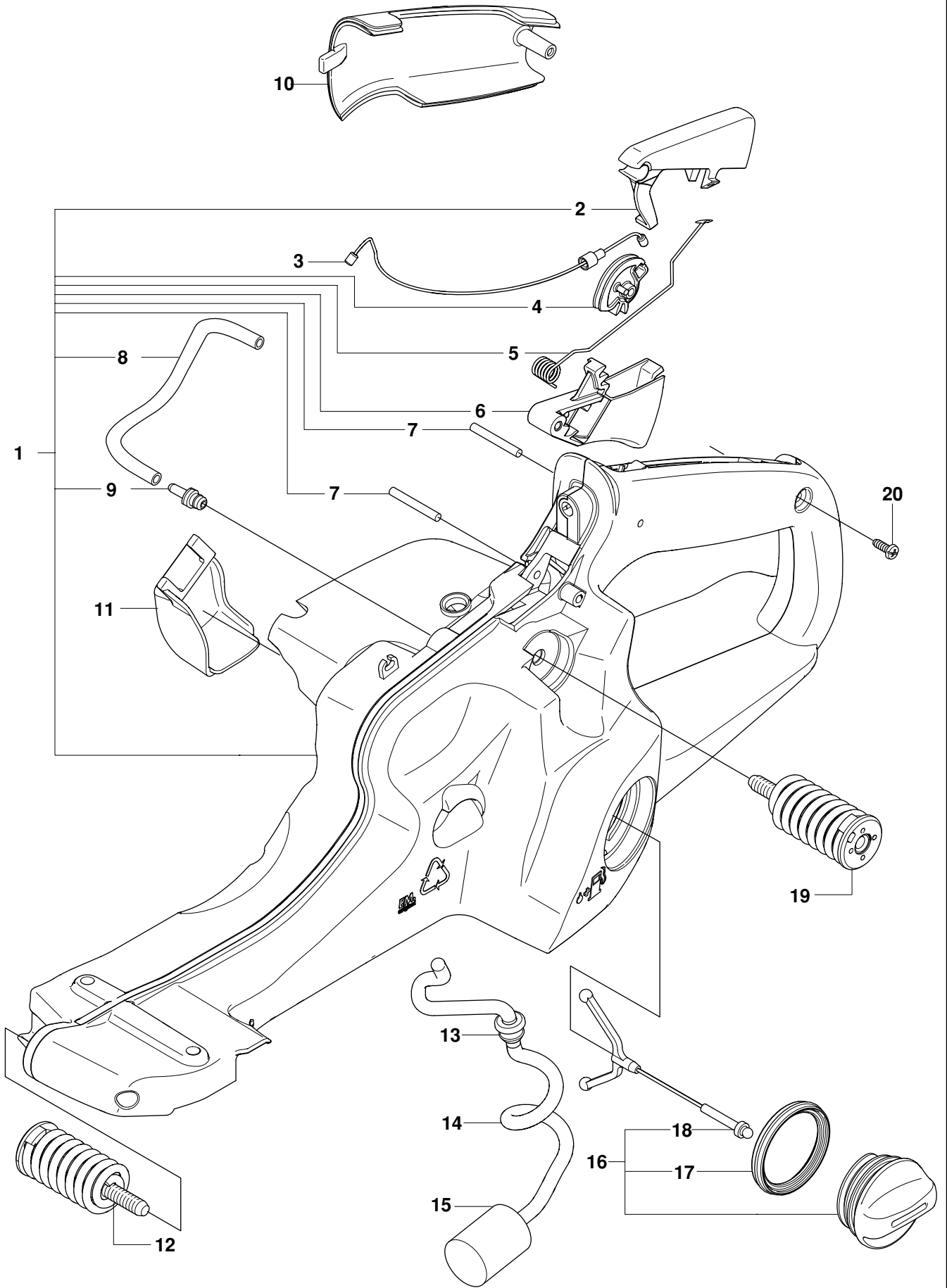
H				
Key#	PART NUMBER	DESCRIPTION	QTY/UNIT	NOTE
1	537 25 45-02	CYLINDER	1	
2	537 20 71-01	•PLUG	1	
3	503 55 22-01	•PLUG	1	
4	503 25 56-01	•NEEDLE BEARING	1	
5	537 25 47-02	•PISTON	1	
6	737 43 12-00	••CIRCLIP	2	
7	503 28 90-46	••PISTON RING	1	
8	537 21 26-01	GASKET KIT	1	SET OF GASKETS
8A	537 20 80-01	•GASKET	1	
9	537 29 44-01	DECOMPRESSION VALVE	1	
10	725 53 33-55	SCREW IHSCM	4	
11	503 23 51-11	SPARK PLUG BPMR7A	1	

I



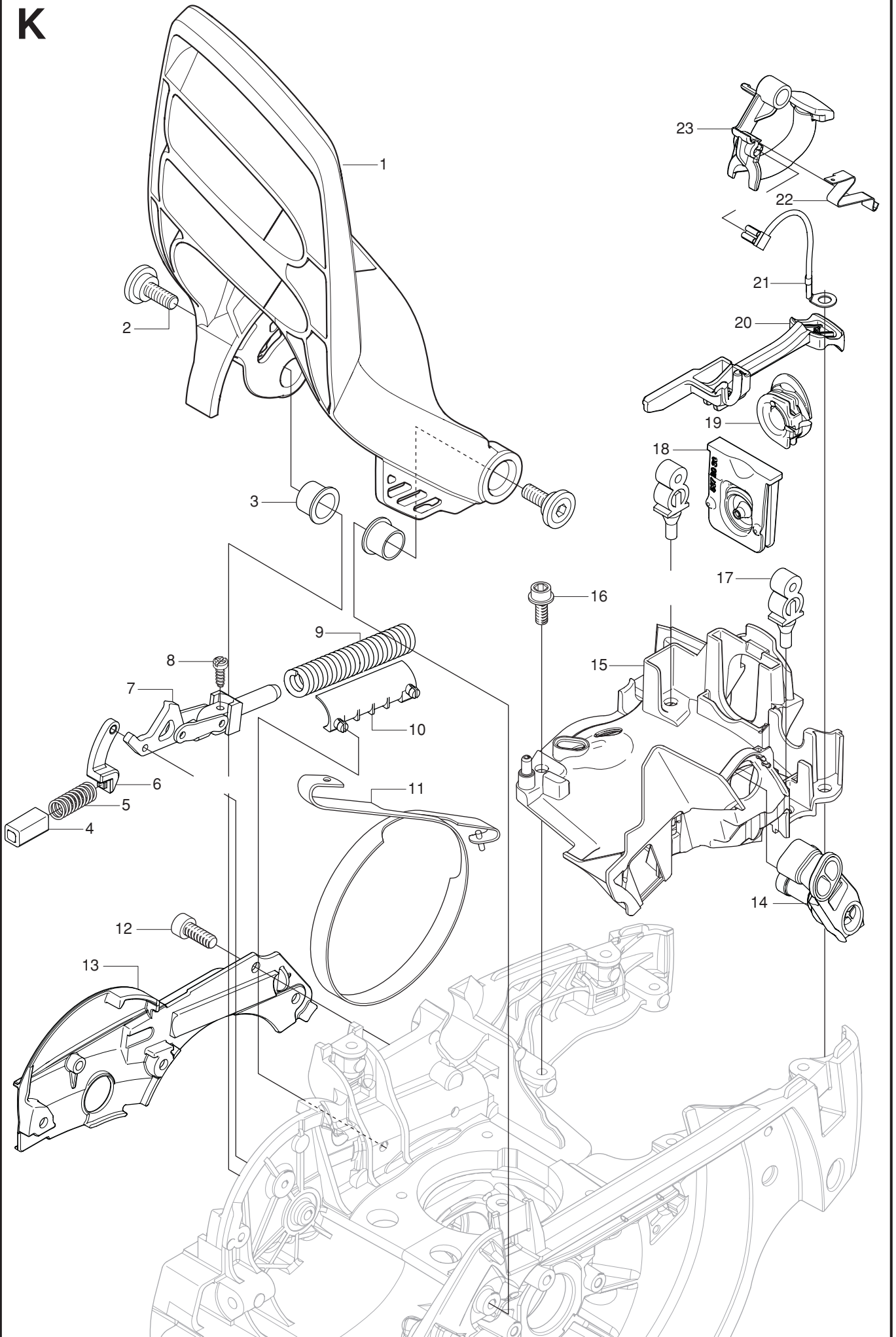
I				
Key#	PART NUMBER	DESCRIPTION	QTY/UNIT	NOTE
1	537 20 59-04	FRONT HANDLE ASSY	1	
2	503 20 47-01	•SCREW IHPANM	1	
3	503 22 66-01	•NUT	1	
4	503 63 75-02	ANTIVIBRATION ELEMENT Std	1	
5	503 21 88-74	SCREW IHSCFT	1	

J



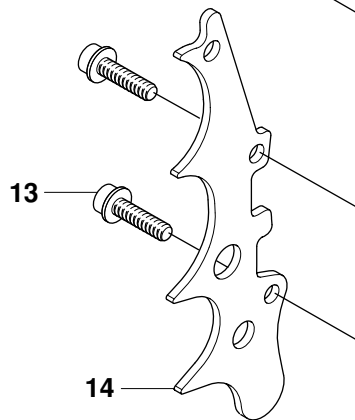
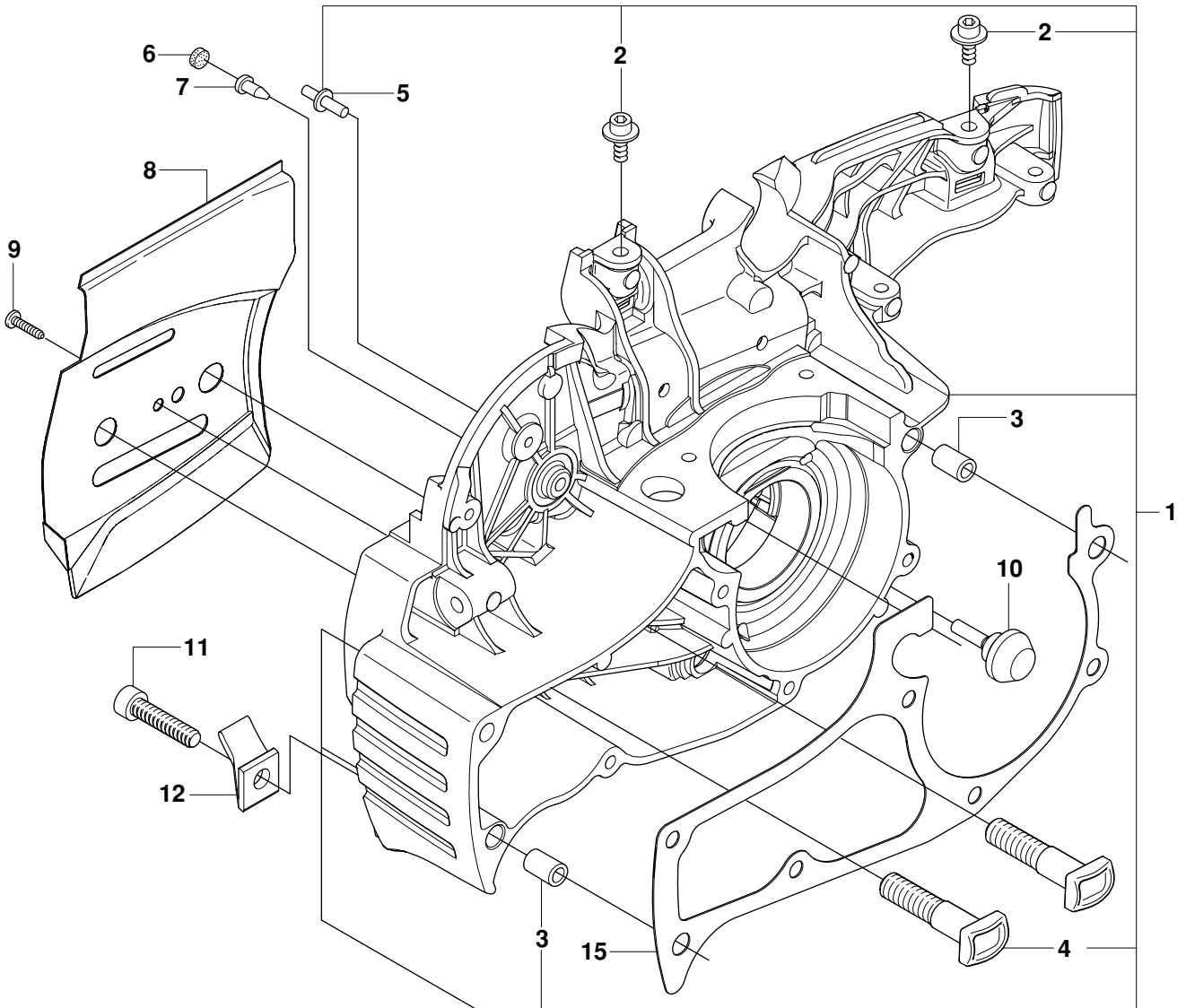
J				
Key#	PART NUMBER	DESCRIPTION	QTY/UNIT	NOTE
1	537 21 35-07	FUEL TANK	1	
2	537 20 84-02	·THROTTLE LOCKOUT	1	
3	537 21 11-01	·THROTTLE WIRE	1	
4	537 20 85-01	·CABLE LEVER	1	
5	537 20 98-01	·SPRING	1	
6	537 20 83-02	·THROTTLE TRIGGER	1	
7	720 12 40-20	·PARALLEL PIN	1	
8	544 32 49-06	·FUEL HOSE	1	
9	537 35 95-01	·TANK VENT ASSY	1	
10	537 20 55-03	COVER	1	
11	537 20 57-02	COVER	1	
12	537 21 03-03	ANTIVIBRATION ELEMENT Std	1	
13	503 73 58-01	BUSHING	1	
14	544 32 50-02	FUEL HOSE	1	
15	503 44 32-01	FILTER	1	
16	537 21 52-01	TANK CAP ASSY	1	
17	537 21 50-01	·SEALING	1	
18	503 57 89-01	·HOLDER	1	
19	537 21 03-01	ANTIVIBRATION ELEMENT Std	1	
20	503 21 28-10	SCREW CCRPANT	1	

K



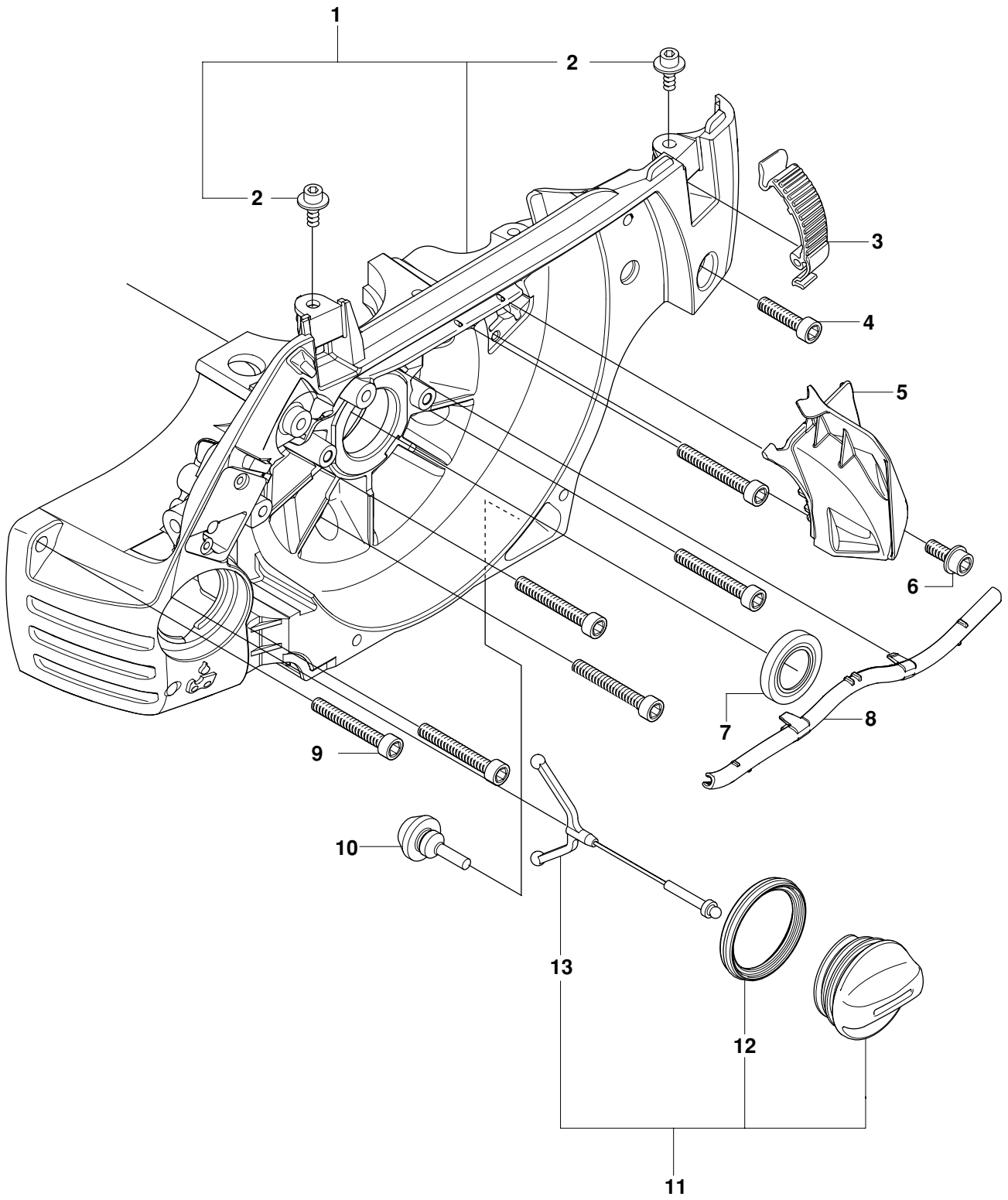
K				
Key#	PART NUMBER	DESCRIPTION	QTY/UNIT	NOTE
1	505 25 98-01	HAND GUARD	1	
2	537 20 90-01	SCREW	2	
3	537 20 28-01	BUSHING	2	
4	537 21 07-01	SPRING GUIDE	1	
5	503 43 65-01	POSITION SPRING	1	
6	537 20 31-01	LOCK	1	
7	501 87 53-04	KNEE JOINT	1	
8	503 21 28-10	SCREW CCRPANT	1	
9	503 70 99-01	BRAKE SPRING	1	
10	503 79 27-01	SUPPORT	1	
11	503 75 22-02	BRAKE BAND ASSY	1	
12	503 21 70-72	SCREW CCRPANT	4	
13	537 20 32-01	CAP	1	
14	537 20 36-01	GUIDE BUSHING	1	
15	537 20 35-03	CARBURETTOR AREA BAS	1	
16	503 20 07-12	SCREW IHSCEM	4	
17	503 86 93-01	CARBURETTOR MOUNTING	2	
18	537 20 38-01	GROMMET	1	
19	537 20 53-01	SEALING	1	
20	537 20 52-02	CHOKE CONTROL	1	
21	537 20 87-01	GROUND CABLE	1	
22	503 86 97-02	SHORT CIRCUIT SPRING	1	
23	537 20 51-02	STOP CONTROL	1	

L



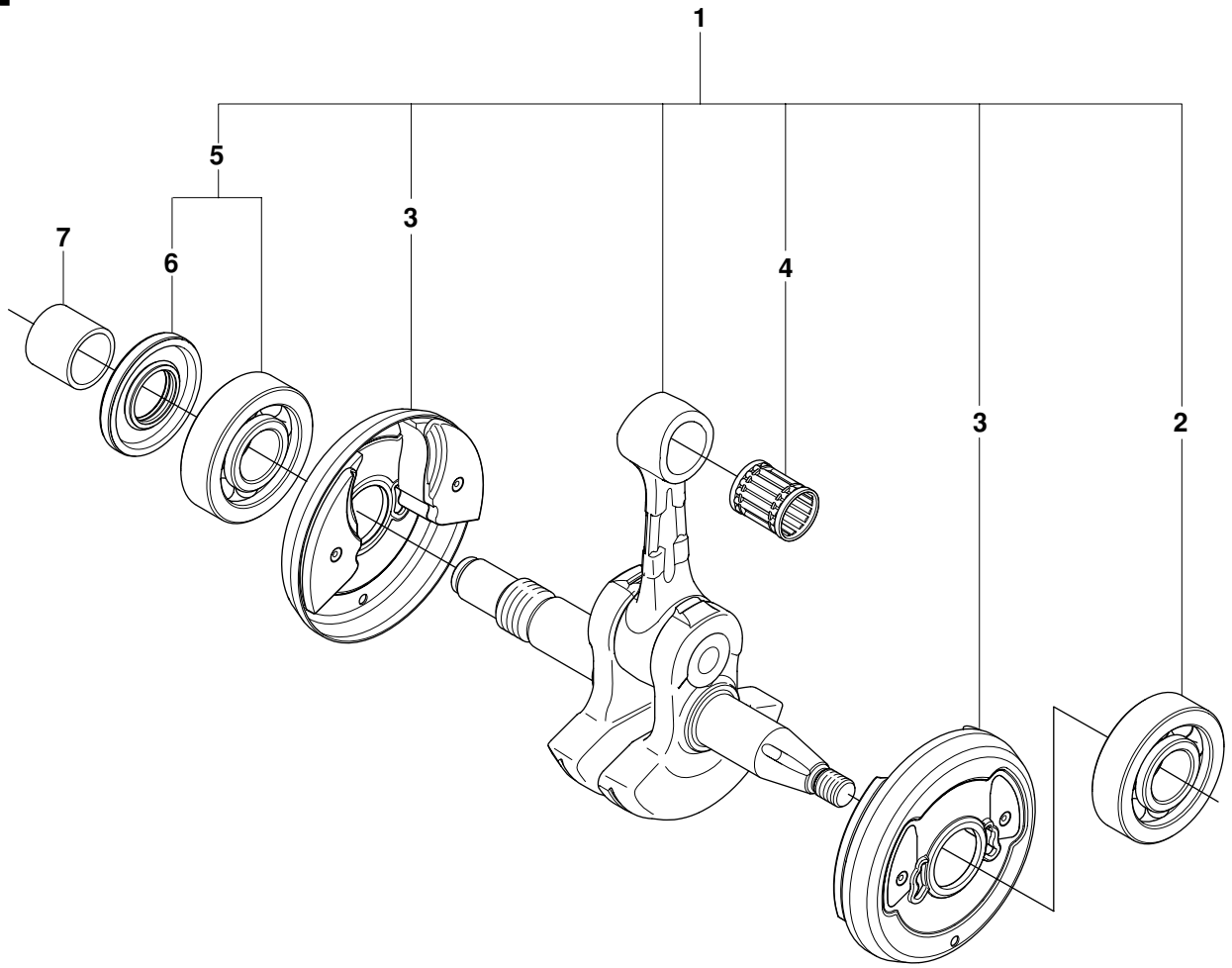
L				
Key#	PART NUMBER	DESCRIPTION	QTY/UNIT	NOTE
1	537 20 93-06	CRANKCASE ASSY	1	
2	503 21 39-02	·SCREW IHSCT	1	
3	501 27 08-01	·GUIDE BUSHING	2	
4	537 05 13-01	·BAR BOLT	2	
5	537 20 30-01	·PIN KNEE-JOINT	1	
6	530 02 61-19	·CHECK VALVE	1	
7	537 40 35-01	·FILTER	1	
8	537 01 37-02	CHAIN GUIDE PLATE	1	
9	503 21 28-10	SCREW CCRPANT	1	
10	503 84 61-01	BUFFER	1	
11	503 20 73-20	SCREW IHSCM	1	
12	537 37 79-01	CHAIN CATCHER	1	
13	503 21 26-16	SCREW IHPANM	2	
14	503 64 79-02	SPIKE	1	
15	537 21 26-01	GASKET KIT	1	

M

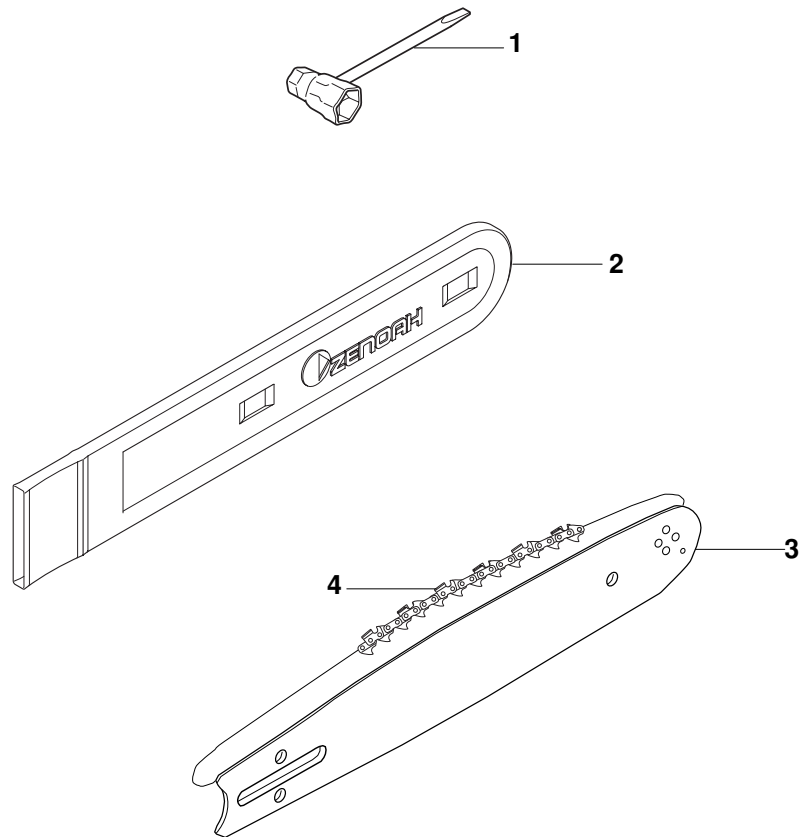


M				
Key#	PART NUMBER	DESCRIPTION	QTY/UNIT	NOTE
1	537 20 93-06	CRANKCASE ASSY	1	
2	503 21 39-02	•SCREW IH SCT	1	
3	503 89 47-04	SNAP	4	
4	503 20 73-20	SCREW IHSCM	1	
5	537 20 92-01	AIR NOZZLE	1	
6	503 20 02-12	SCREW IHSCFM	1	
7	505 27 57-19	SEALING RING	1	
8	537 20 39-01	CABLE HOLDER	1	
9	503 20 08-70	SCREW IHSCM	6	
10	503 84 61-01	BUFFER	1	
11	537 21 52-02	TANK CAP ASSY	1	
12	537 21 50-01	•SEALING	1	
13	503 57 89-01	•HOLDER	1	

N



O

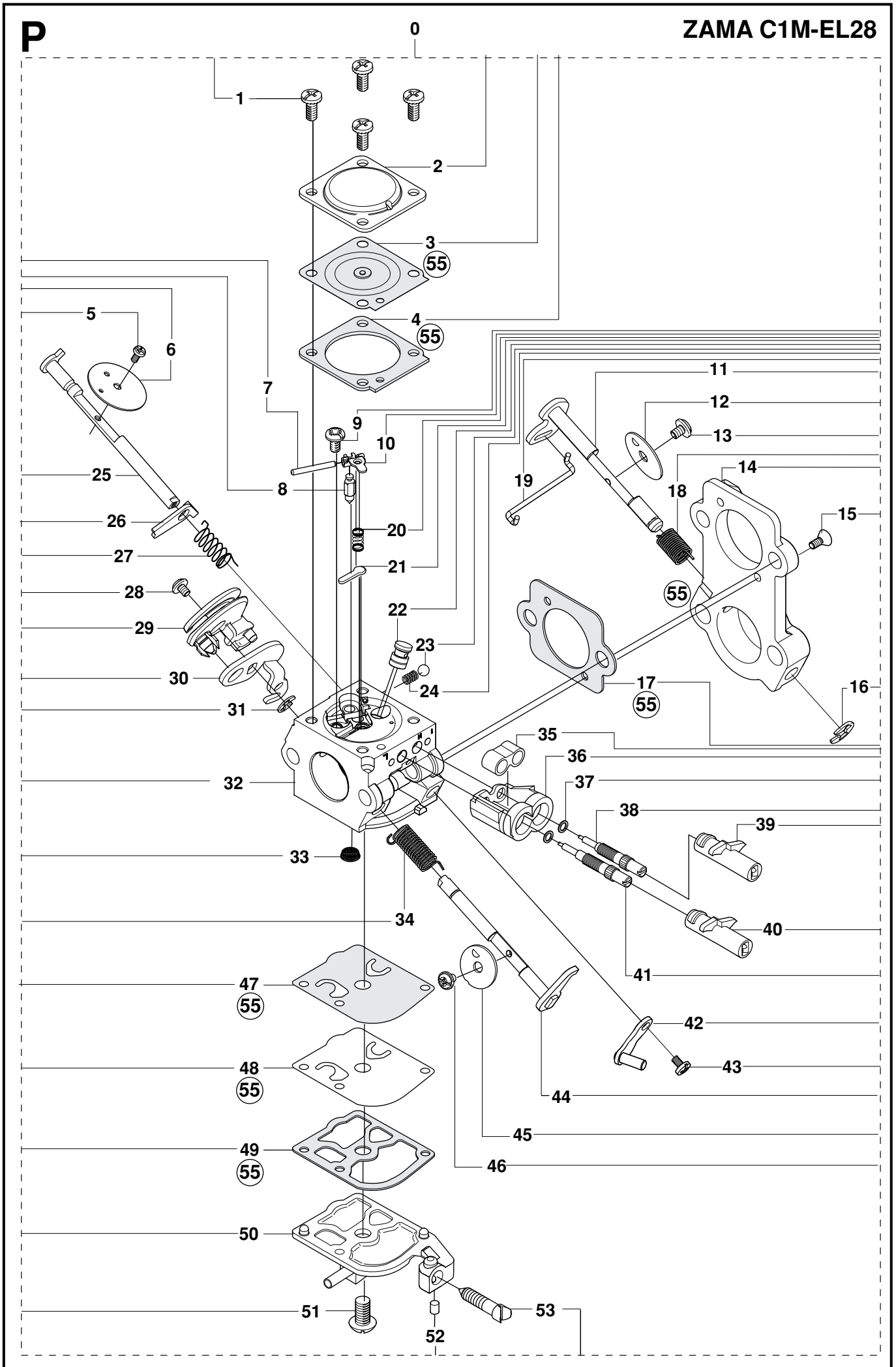


N				
Key#	PART NUMBER	DESCRIPTION	QTY/UNIT	NOTE
1	537 30 61-03	CRANKSHAFT ASSY	1	
2	738 22 02-25	·BALL BEARING	1	
3	537 20 33-01	·CUP	1	
4	503 25 56-01	·NEEDLE BEARING	1	
5	505 41 60-01	·BALL BEARING	1	
6	505 41 61-01	··RADIAL SEAL	1	
7	537 20 58-01	SLEEVE	1	

O				
Key#	PART NUMBER	DESCRIPTION	QTY/UNIT	NOTE
1	501 69 17-01	COMBINATION WRENCH	1	
2	501 83 45-07	BAR GUARD (24"- 28")	1	
2	501 83 44-19	BAR GUARD (18"- 22")	1	
3	510 27 87-92	GUIDE BAR (28" 3/8")	1	
3	510 27 87-84	GUIDE BAR (24" 3/8")	1	
3	510 28 21-72	GUIDE BAR (20" 3/8")	1	
4	510 27 91-92	CHAIN (73LPX92)	1	
4	510 27 91-84	CHAIN (73LPX84)	1	
4	510 27 91-72	CHAIN (73LPX72)	1	

P

ZAMA C1M-EL28



P				
Key#	PART NUMBER	DESCRIPTION	QTY/UNIT	NOTE
0	544 19 98-01	CARBURETTOR	1	
1	503 48 05-01	·SCREW	4	
2	537 38 37-01	·COVER	1	
3	537 38 35-01	·DIAPHRAGM	1	Part of 55
4	537 38 36-01	·GASKET	1	Part of 55
5	503 48 18-01	·SCREW	1	
6	537 26 68-01	·VALVE	1	
7	503 48 00-01	·PIN RETAINING SCREW	1	
8	503 47 97-01	·VALVE	1	
9	503 48 01-01	·SCREW	1	
10	503 66 59-01	·LEVER	1	
11	544 23 78-01	·SHAFT	1	
12	537 17 70-01	·VALVE	1	
13	503 48 18-01	·SCREW	1	
14	544 19 98-01	CARBURETTOR	1	
15	537 38 51-01	·SCREW	2	
16	537 38 50-01	·CLIP	1	
17	537 38 53-01	·GASKET	1	Part of 55
18	537 38 55-01	·SPRING	1	
19	544 23 79-01	·ROD	1	
20	537 38 34-01	·SPRING	1	
21	503 53 56-01	·PLUG WELCH	1	
22	544 23 77-01	·NOZZLE ASSY	1	
23	537 01 25-01	·BALL	1	
24	537 01 26-01	·SPRING	1	
25	537 38 42-01	·SHAFT ASSY	1	
26	544 23 80-01	·LEVER	1	
27	537 38 44-01	·SPRING	1	
28	503 47 90-01	·SCREW	1	
29	537 21 37-01	·LEVER	1	
30	537 38 41-01	·LEVER	1	
31	537 38 52-01	·CLIP	1	
32	544 19 98-01	CARBURETTOR	1	
33	503 53 57-01	·STRAINER	1	
34	537 38 29-01	·SPRING	1	
35	537 27 42-01	·BOOT	1	
36	503 90 34-01	·RETAINER	1	
37	503 97 40-01	·WASHER	2	
38	537 38 38-01	·SCREW	1	
39	537 38 47-01	·LIMITER CAP	1	
40	537 38 46-01	·LIMITER CAP	1	
41	537 38 39-01	·SCREW	1	
42	537 38 45-01	·LEVER	1	
43	503 47 90-01	·SCREW	1	
44	537 38 28-01	·SHAFT ASSY	1	
45	537 38 30-01	·VALVE	1	
46	503 48 18-01	·SCREW	1	
47	537 38 31-01	·DIAPHRAGM PUMP	1	Part of 55
48	537 40 33-01	·DIAPHRAGM	1	Part of 55
49	537 02 01-01	·GASKET PUMP	1	Part of 55
50	537 38 32-01	·COVER	1	
51	503 47 96-01	·SCREW	1	
52	503 48 11-01	·PIECE	1	
53	537 38 33-01	·SCREW	1	
55	537 38 56-01	SET OF GASKETS	1	