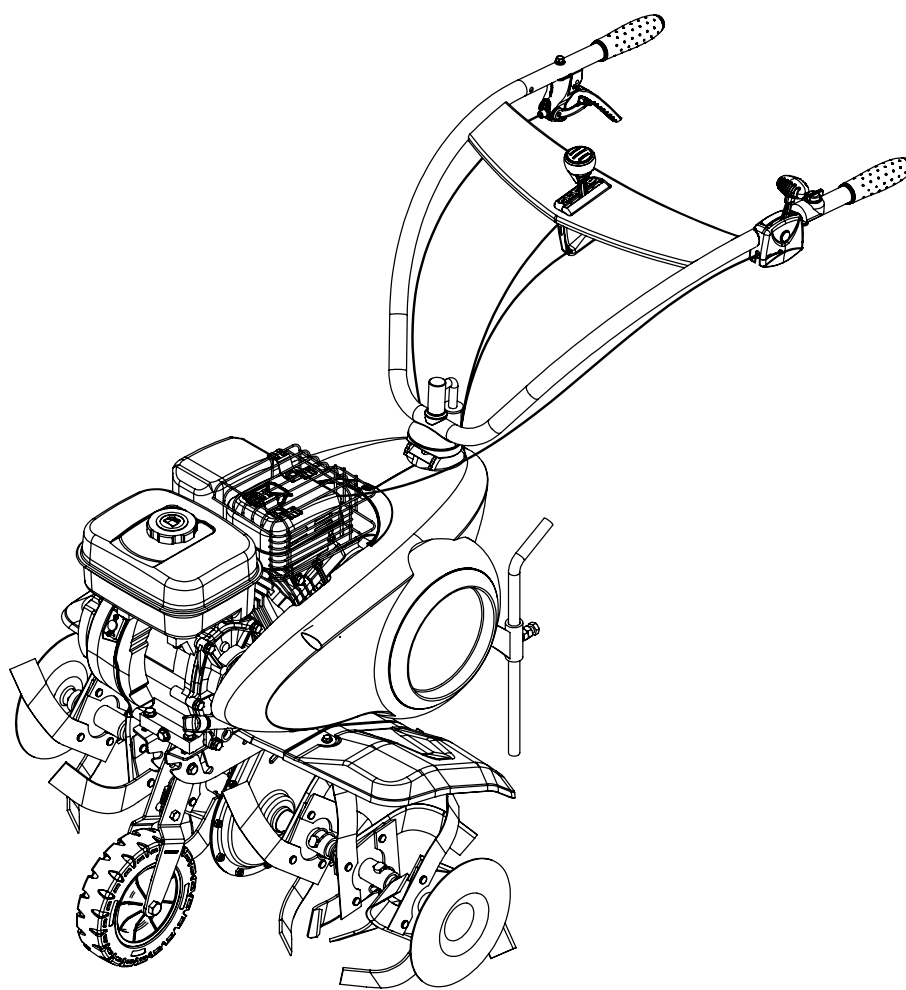
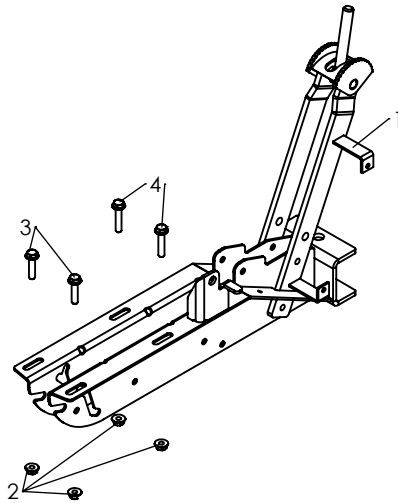


Pièces de rechange Spare parts list

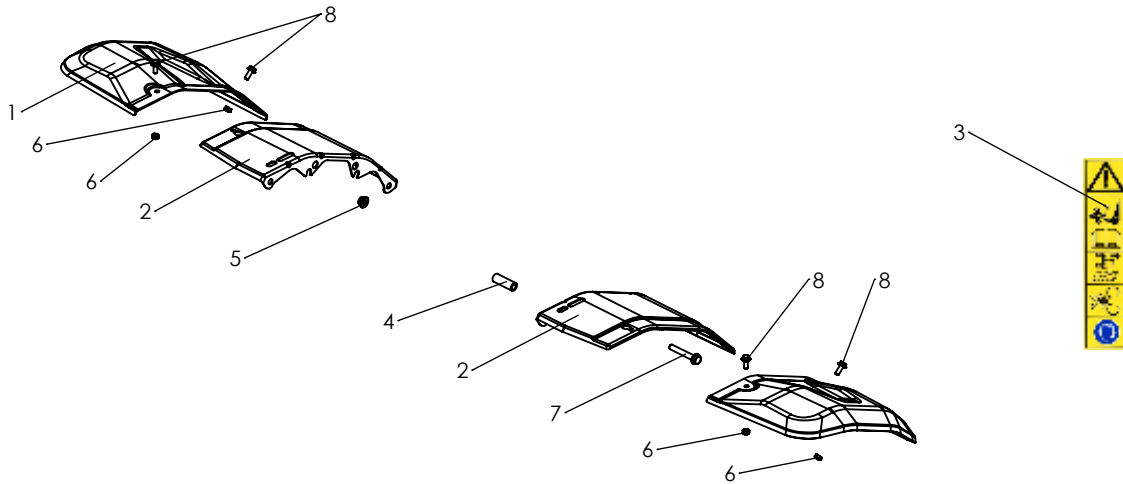
300021****



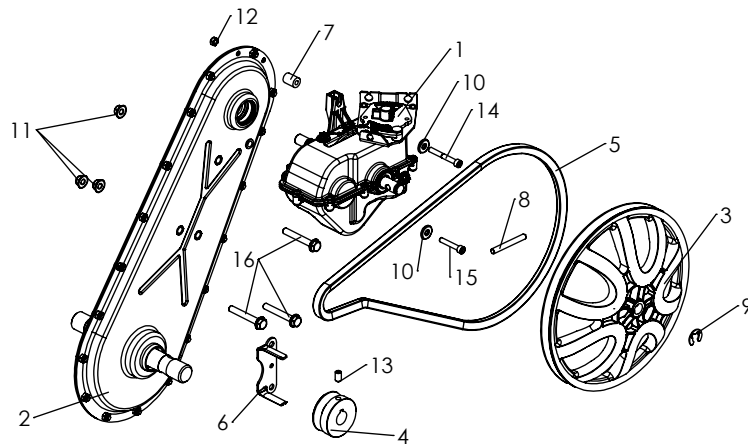
*MOTOBINEUSE
TILLER*



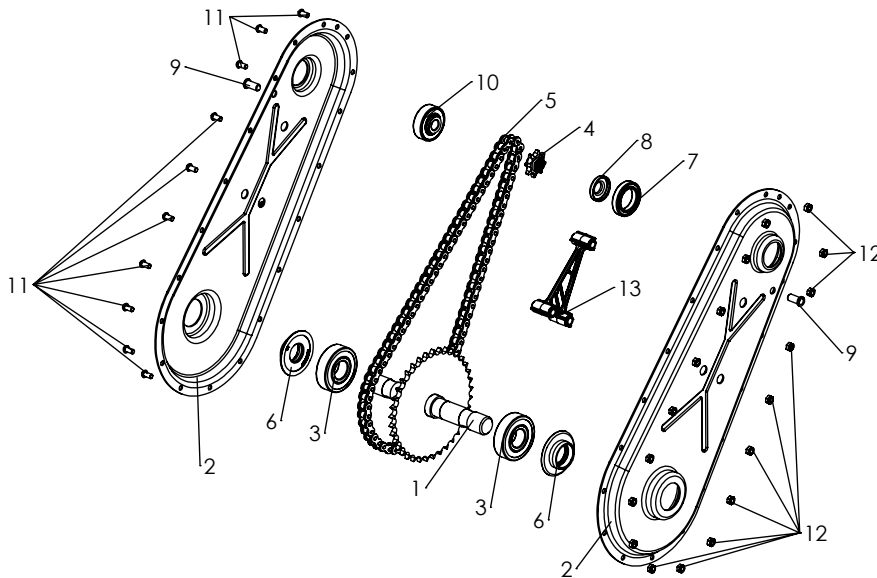
Rep N°	Ref.	Désignation	Description	Qté
1	3002210607	CHASSIS M0701 GRIS 627	M0701 FRAME GREY 627	1
1	3002210507	CHASSIS M0701 GRIS (8120)	M0701 FRAME GREY (8120)	1
1	3002210307	CHASSIS M0701 NOIR RAL 9005	M0701 FRAME BLACK RAL 9005	1
2	0300260801	ECROU HM 8 ZEMB CR DIN 6923-8	NUT H M8 Z NOTCHED SHOULDER	4
3	0300010834	VIS H 8x35 Z EMB CR DIN 6921	SCREW H 8x35 Z DIN 6921 NOTCHED SHOULDER CL 6.8	2
4	0300010817	VIS H 8x40 Z EMB CR DIN 6921	SCREW H M8 X 40	2



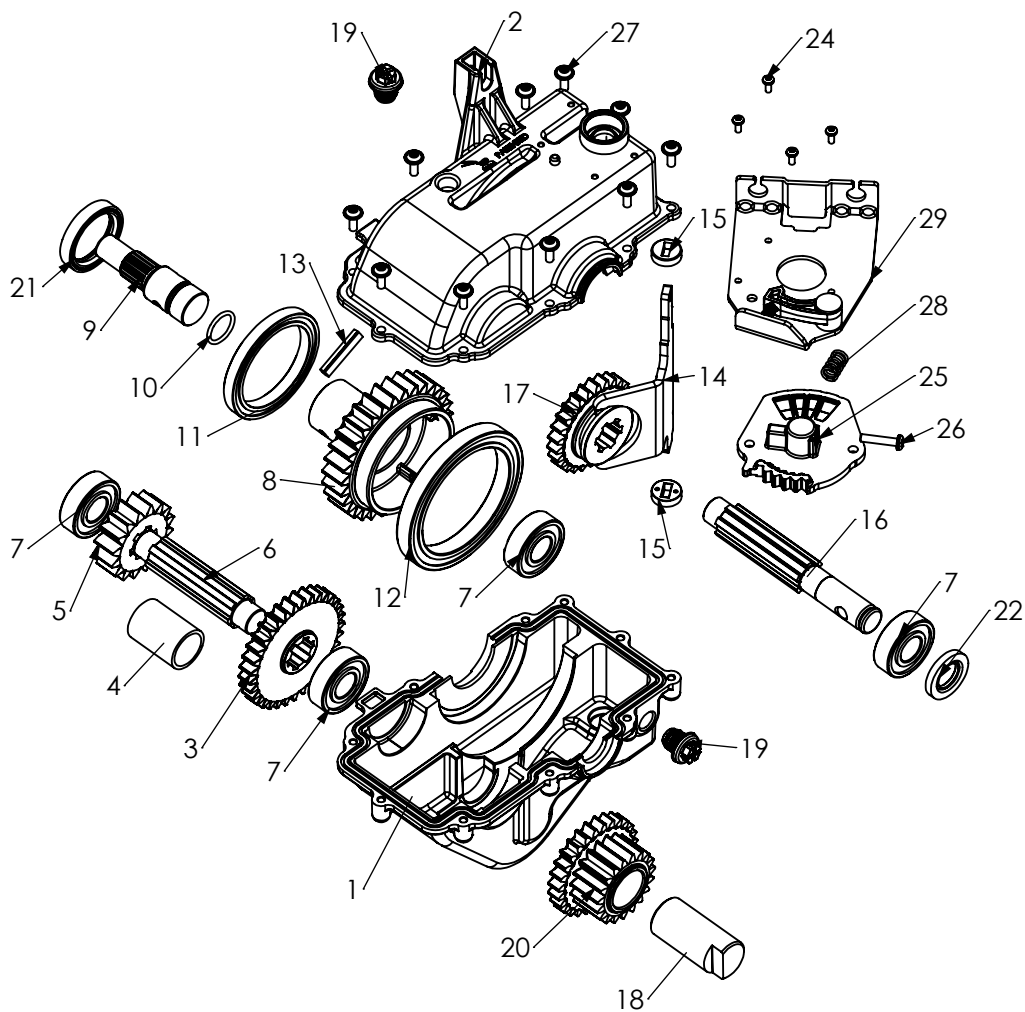
Rep N°	Ref.	Désignation	Description	Qté
1	3002182404	TOLE ADD ACIER F1401 ORANGE RAL2004	ADDITIONAL TINE GUARD ORANGE RAL2004	2
1	3002182304	TOLE ADD ACIER F1401 BLEU P301	ADDITIONAL TINE GUARD BLUE P301	2
1	3002182004	TOLE ADD ACIER F1401 VERT RAL 6029	ADDITIONAL TINE GUARD GREEN RAL 6029	2
1	3002181304	TOLE ADD ACIER F1401 ROUGE RAL 3001	ADDITIONAL TINE GUARD RED RAL 3001	2
1	3002180604	TOLE ADD ACIER F1401 GRIS (627)	ADDITIONAL TINE GUARD GREY (627)	2
1	3002180504	TOLE ADD ACIER F1401 GRIS (8120)	ADDITIONAL TINE GUARD GREY (8120)	2
1	3002180304	TOLE ADD ACIER F1401 NOIR RAL9005	ADDITIONAL TINE GUARD BLACK RAL9005	2
2	3002001332	TOLE PROTECTION F1401 ROUGE RAL3001	F1401 TINE GUARD RED RAL3001	2
2	3002000632	TOLE PROTECTION F1401 GRIS (627)	F1401 TINE GUARD GREY (627)	2
2	3002000532	TOLE PROTECTION F1401 GRIS (8120)	F1401 TINE GUARD GREY (8120)	2
2	3002000332	TOLE PROTECTION F1401 NOIR RAL9005	F1401 TINE GUARD BLACK RAL9005	2
3	0503000094	ETIQ. "SECURITE 6 LOGOS" CE	STICKER SECURITY	1
4	0302020225	ENTR. 14x8.2x41 Z	Spacer Ø8.2 x Ø14 x41	1
5	0300210805	ECROU BDR HM8 EMB LISSE DIN6927	NUT BDR HM8 SMOOTH BASE DIN6927	1
6	0300210602	ECROU FREIN M 6 Z DIN 985-8	BLOCKING NUT M 6 Z	4
7	0300010837	VIS H EMB CR M8x55 CLE13 CL8.8 A2K	SCREW H 8x55 Z NOTCHED SHOULDER CL 8.8	1
8	0300010609	VIS H 6x16 Z EMB CR DIN 6921	SCREW HM 6X16 Z NOTCHED SHOULDER	4



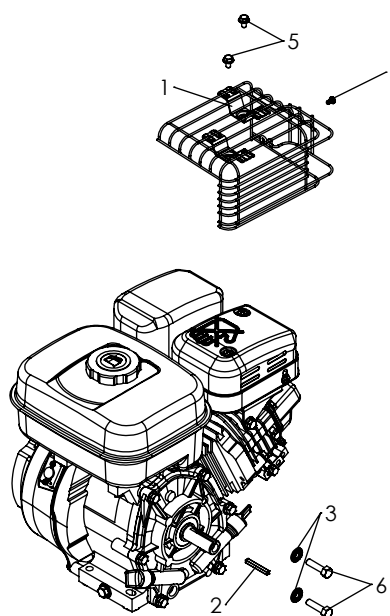
Rep N°	Ref.	Désignation	Description	Qté
1	3001000057	BOITE DE VITESSE F0603 BV2+1R DOIGT D'INDEXAGE	Gear box 2 front speed 1 reverse speed	1
2	3001000050	CARTER 8/37 BOULONNE BV	Bolted transmission 8/37	1
3	0340010105	POULIE Ø260 GRIS 7040	TRANSMISSION PULLEY Ø206	1
4	0306060005	POULIE MOT D55 ALES 19,06	ENGINE PULLEY D55 BORE Ø19,06	1
5	0306030057	COURROIE LA45	BELT LA45	1
6	0304000303	GUIDE COURROIE Ø55 carter 8/37	DRIVE BELT ENGINE PULLEY	1
7	0302020112	ENTR. 14x6x18.4xZ	SPACER 14x6x18.4 xZ	1
8	0302010021	AXE FIXATION POULIE INVERSEUR MECANIQUE	PULLEY PIN SHAFT MECANIQUE	1
9	0301070026	ANNEAU ELASTIQUE RADIAL DIAM12 DIN6799	RADIAL RETAINING RING Ø12	1
10	0300410602	RONDELLE SPECIALE 6,3X19 X2,5Z	SPECIAL WASHER 6,3 x 19 x 2,5Z	2
11	0300210805	ECROU BDR HM8 EMB LISSE DIN6927	NUT BDR HM8 SMOOTH BASE DIN6927	3
12	0300210602	ECROU FREIN M 6 Z DIN 985-8	BLOCKING NUT M 6 Z	1
13	0300040801	VIS STHC 8 X 16 N BT POINTU DIN 914 45H	SCREW ST HC M8X16 DIN 914 45H	1
14	0300020605	VIS CHC 6 X 50 Z DIN 912 8.8	SCREW CHC 6 X 50 Z DIN 912 8.8	1
15	0300020604	VIS CHC 6 X 35 Z DIN 912 8.8	Screw CHC M6x35z	1
16	0300010837	VIS H EMB CR M8x55 CLE13 CL8.8 A2K	SCREW H 8x55 Z NOTCHED SHOULDER CL 8.8	3



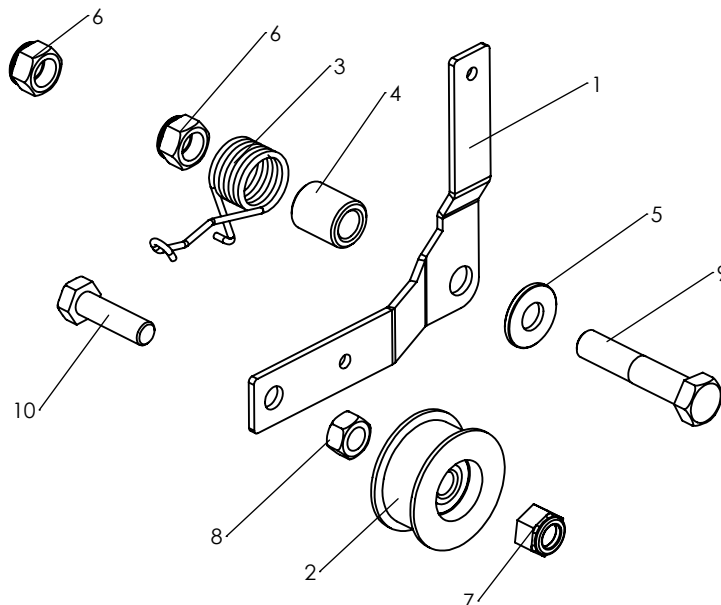
Rep N°	Ref.	Désignation	Description	Qté
1	0306050045	ARBRE DE TRAVAIL 37DTS 12.7	Blade shaft 37 teeth 12.7	1
2	3002210308	JOUE DE CARTER 8/37 NOIR RAL 9005	Transmission housing 8/37 black RAL 9005	2
3	0306010020	ROULEMENT 6305 2 RS cl: 0	BALL BEARING 6305 2RS	2
4	0306050016	PIGNON 8 DTS 12.7 SIMPLE cannelé	PIGNON 8 TOOTH 12.7 RIBBED	1
5	0306020026	CHAINE ISO 08B-1 pas 12.7 78 maillons RSF	CHAIN (78 LINKS RSF) 08B 12.7	1
6	0341000059	JOINT PU CARTER 1/5	TRANSMISSION SEAL	2
7	0306010037	ROULEMENT 6906 2RS	Ball bearing 6906 2RS	1
8	0303000026	ENTRETOISE 34.5x16x9 CARTER 8/37	Transmission spacer	1
9	0300600604	INSERT M6 ROND BORGNE TOLE 1.5/3	Insert M6	2
10	0306010016	ROULEMENT 6204 2RS EPAULE	SPECIAL BALL BEARING 6204 2RS	1
11	0300110604	VIS TORX M6X12 TETE CYLIND BOMB 6 LOBES INTER	Screw Torx M6x12	18
12	0300210602	ECROU FREIN M 6 Z DIN 985-8	BLOCKING NUT M 6 Z	18
13	0303000029	ENTRETOISE 3 pts CARTER 8/37	TRANSMISSION SPACER 8/37	1



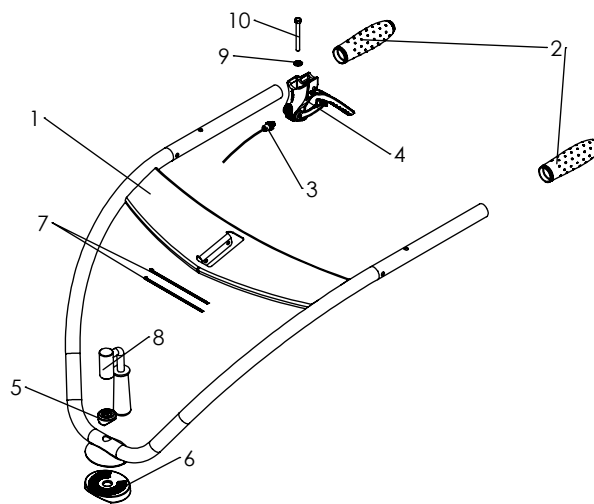
Rep N°	Ref.	Désignation	Description	Qté
1	034000008	COQUE INFERIEUR F0603	BOTTOM CARTER F0603	1
2	034000007	COQUE SUPERIEUR F0603	UPPER CARTER F0603	1
3	0306050042	PIGNON 1er 33 dts M2	1ST GEAR 33 th M2	1
4	0302020113	ENTRETOISE 20x24x33	SPACER 20x24x33	1
5	0306050041	PIGNON INTER 16 dts M2.5	INTERMEDIATE GEAR 16 th M2.5	1
6	0302010111	ARBRE SECONDAIRE F0603	SECONDARY SHAFT F0603	1
7	0306010038	Roulement 6202	Ball bearing 6202	4
8	0306050040	PIGNON SORTIE BOITE 31 dts M2.5	OUTPUT GEAR 31 th M2.5	1
9	0302010109	ARBRE DE SORTIE F0603	OUTPUT SHAFT F0603	1
10	0343010004	JOINT TORIQUE Ø16x2	O'RING SEAL Ø16x2	1
11	0306010040	ROULEMENT 6810	BALL BEARING 6810	1
12	0306010039	ROULEMENT 6813	BALL BEARING 6813	1
13	0301020018	Goupille HBK 6x28 DIN 8748 ST	Cotter-pin 6x28	1
14	3002000001	FOURCHETTE F0603 TRAITEE	SELECTION FORK F0603 WITH TREATMENT	1
15	0340000010	ENTRETOISE GUIDE FOURCHETTE F0603	FORK GUIDE F0603	2
16	0302010110	ARBRE D'ENTREE F0603	INPUT SHAFT F0603	1
17	0306050044	PIGNON BALADEUR 26 dts M2	SELECTION GEAR 26th M2	1
18	0302010108	ARBRE TERTIAIRE MAR/1ER F0603	THIRD SHAFT F0603	1
19	0341000093	BOUCHON M12X1.5	CAP M12x1.5	2
20	0306050043	PIGNON MAR 19 et 27 dts M2	REVERSE GEAR 19-27 th M2	1
21	0343020002	Bague d'étanchéité 30x40x7 IEL AI DL	Sealing washer 30X40X7	1
22	0343020003	BAGUE D'ETANCHEITE 15x28x4 IEL AI DL	SEALING WASHER15x28x4	1
23	0200010009	COLLE POLYMERE TEROSON 935	TEROSON 935 ADHESIVE SEALANT	1
24	0300090303	Vis alltracs WN5251 K30x8z	Screw WN5251 K30x8z	4
25	0340000009	LEVIER SELECTION DE VITESSE F0603	SPEED SELECTOR LEVER	1
26	0300090403	VIS TORX WN 1452 K40x20	Screw WN 1452 K40x20 Torx	1
27	0300090405	Vis Alltracs WN5151 40x12z Ejot: 6317036809	Screw Alltracs WN5151 40x12z	10
28	0305020015	RESSORT CP 9x15 12/10 GALVA	Locking spring	1
29	3001000058	TOLE SELECTEUR VIT. SERTI	SPEED SELECTION CABLE PLAT	1



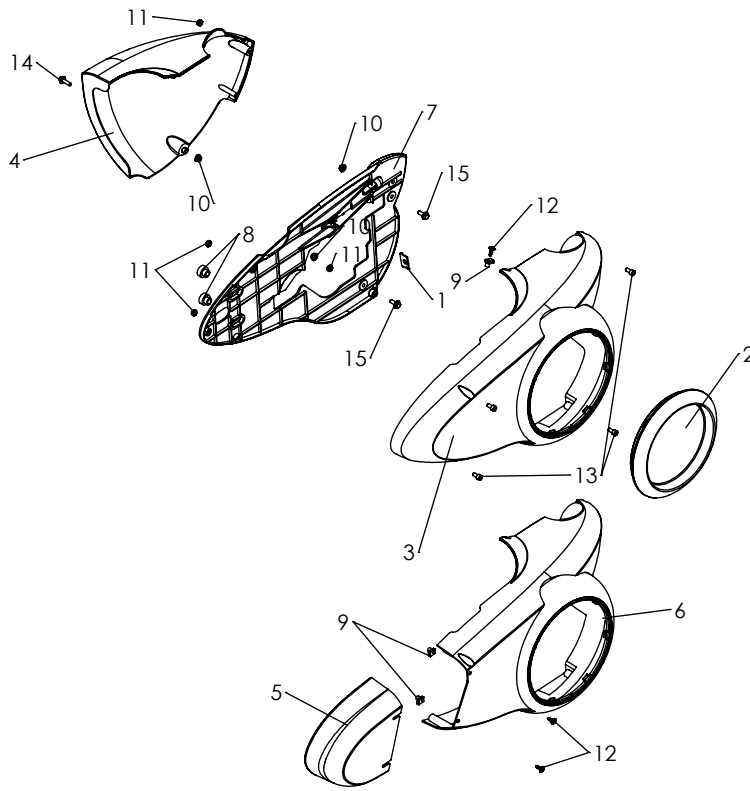
Rep N°	Ref.	Désignation	Description	GX120 GX160 Qté	GX200 Qté	GC Qté	GP160 Qté	GP200 Qté	750 SERIES Qté	950 SERIES Qté	BS65 Qté	EP Qté	Lc170 Qté	GT400 Qté	GT600 Qté	R180 R210 Qté	SH265 Qté
1	0330102001	GRILLE ECHAPP KÖHLER SH265	EXHAUST GRILL KÖHLER SH265	-	-	-	-	-	-	-	-	-	-	-	-	-	1
1	0330092003	GRILLE ECHAPP R180/R210	EXHAUST GRILL R180/R210	-	-	-	-	-	-	-	-	-	-	-	-	1	-
1	0330082003	GRILLE ECHAPP GT600	GT600 Exhaust grill	-	-	-	-	-	-	-	-	-	-	-	1	-	-
1	0330082002	GRILLE ECHAPP GT400	EXHAUST GRILL GT400	-	-	-	-	-	-	-	-	-	-	1	-	-	-
1	0330062003	GRILLE ECHAPP LONCIN 212cc	EXHAUST GRILL LONCIN 212cc	-	-	-	-	-	-	-	-	-	1	-	-	-	-
1	0330032001	GRILLE ECHAPPEMENT EP	EXHAUST GRILL EP	-	-	-	-	-	-	-	-	1	-	-	-	-	-
1	0330012010	GRILLE ECHAPPEMENT GP200 UT2	Exhaust grill GP200 UT2	-	-	-	-	1	-	-	-	-	-	-	-	-	-
1	0330012009	GRILLE ECHAP GP160	EXHAUST GRILL GP160	-	-	-	1	-	-	-	-	-	-	-	-	-	-
1	0330012007	GRILLE ECHAPPEMENT GX200	Exhaust grill GX200	-	1	-	-	-	-	-	-	-	-	-	-	-	-
1	0330012003	GRILLE ECHAP GX120/GX160	EXHAUST GRILL GX120/GX160	1	-	-	-	-	-	-	-	-	-	-	-	-	-
2	0301040001	CLAVETTE 4.76X4.76X 40 BTS DRO TOL h 9 - XC 48	KEY 4.76X4.76X40 DRO TOL h 9 - XC 48	1	1	1	1	1	1	1	1	1	1	1	1	1	1
3	0300430801	RONDELLE CONTACT M8 NFE 25511	CONTACT WASHER 8	2	2	2	2	2	2	2	2	2	2	2	2	2	2
4	0300080602	VIS TOLE TCB POZI 6,3 X 13 Z	POZIDRIVE SCREW M6x13Z	1	-	-	1	-	-	-	-	-	-	-	-	-	-
4	0300080404	VIS TOLE TCB 4.8X9.5 DIN 7981	SHEET SCREW TCB 4.8 X 9.5	-	-	-	-	-	-	-	-	1	-	-	-	-	-
5	0300080501	VIS METAUX TCB POZI 5X10 Z DIN 7985	POZIDRIVE SCREW M5x10Z	2	2	-	2	2	-	-	-	-	-	-	-	2	-
5	0300010620	VIS HM6 X 10 Z EMB LISSE CL6.8 NOIR x TETON CYL NFE25019	SCREW HM6 X 10 Z CL6.8 SMITH SHOULD PILOT PNT NFE25019	-	-	-	-	-	-	-	-	2	-	-	-	-	-
5	0300010617	VIS HM6 X 12 Z EMB LISSE CL6.8 NOIR x TETON CYL NFE25019	SCREW HM6 X 12 Z CL6.8 SMITH SHOULD PILOT PNT NFE25019	-	-	-	-	-	-	-	-	-	-	3	3	-	-
5	0300010507	VIS-TH-EMB CR-8.8- CLÉ8-M5X10	Tensil screw TH 5x10 bic	-	-	-	-	-	-	-	-	-	3	-	-	-	-
6	0300060502	VIS 5/16 TH 24 UNF LONG 32 Z	SCREW 5/16 TH 24 UNF LG 32	2	2	2	2	2	-	2	-	2	-	2	2	-	2
7	0300010807	VIS-DIN933-8.8- CLÉ13-M8X30	SCREW H 8 X 30/22 Z DIN 931 / 8.8	-	-	-	-	-	2	-	2	-	2	-	-	2	-



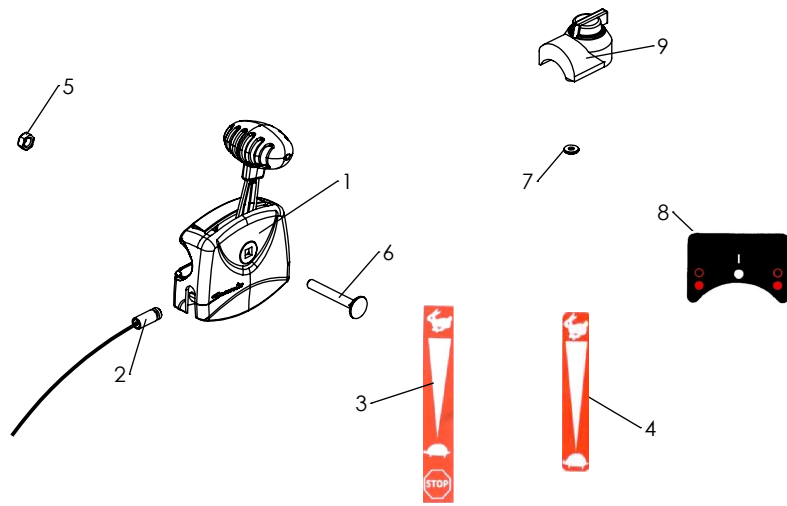
Rep N°	Ref.	Désignation	Description	Qté
1	3002210201	LEVIER EMBR 98x117	PLATE FOR CLUTCH LEVER	1
2	0341000003	GALET 2 EPAULEMENTS ROUL 6200 ZZ	CLUTCH RUNNER ROUL 6200 ZZ	1
3	0305020005	RESSORT CP 21 25/10 GALVA LEVIER EMBR xMECA00	SPRING CP 21 25/10 GALVA LEVIER EMBR xMECA00x	1
4	0302020020	ENTRET. LEV EMB xMECAx PA6.6 12x20 LG 24	Clutch lever spacer	1
5	0300401201	RONDELLE PLATE M 12X27X2.5 Z NFE 25513	PLATE WASHER M 12X27X2.5 Z NFE 25513	1
6	0300211201	ECROU FREIN M 12 Z DIN 985/8	BLOCKING NUT M 12 Z	2
7	0300211001	ECROU FREIN M 10 Z DIN 985/8	BLOCKING NUT M 10 Z	1
8	0300201002	ECROU H.U. M 10 Z DIN 934	NUT HM 10Z	1
9	0300011205	VIS H 12 X 60/30 N DIN931/6.8	Screw H M12 x 60 z	1
10	0300011003	VIS H 10 X 35 FST Z NFEN 24017	SCREW HM 10X35Z FST	1



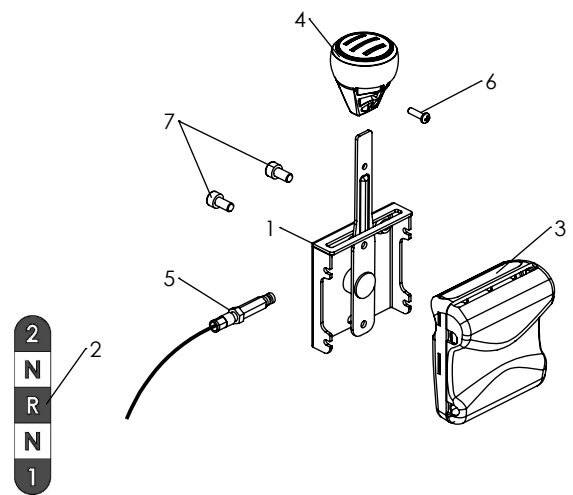
Rep N°	Ref.	Désignation	Description	Qté
1	3002210306	GUIDON M0701 CABLE NOIR RAL 9005	M0701 HANDLEBAR BLACK RAL9005	1
1	3002210506	GUIDON M0701 CABLE GRIS (8120)	M0701 HANDLEBAR GREY (8120)	1
1	3002210606	GUIDON M0701 CABLE GRIS (627)	M0701 HANDLEBAR GREY (627)	1
1	3002210706	GUIDON M0701 CABLE GRIS (8201)	M0701 HANDLEBAR GREY (8201)	1
1	3002211206	GUIDON M0701 CABLE BLANC RAL9003	M0701 HANDLEBAR WHITE RAL9003	1
1	3002212706	GUIDON M0701 CABLE GRIS RAL7040	M0701 HANDLEBAR GREY RAL7040	1
1	3002214306	GUIDON M0701 CABLE GRIS ALUMINIUM 11	M0701 HANDLEBAR GREY ALUMINIUM 11	1
2	0341000068	POIGNEE ELASTO D25 avec lèvre	Rubber hand side grip	2
3	0308020052	CABLE EMB Lg 1050 CF 133 LAKS EMB CLIP	CLUTCH CABLE LG1050 CF133 LAKS LEVER x CLIP TIP	1
4	0307010030	LEVIER EMB LAKS C27 ECROU M6 TEMPO EMBRAYAGE	HANDLEVER LAKS C27 NUT M6 CLUTCHING SYMBOL	1
5	0303000024	ENTRETOISE POIGNEE SERRAGE H16	Tightening lever spacer height 16	1
6	0303000023	NOIX CRANTEE M0701 LIAISON GUIDON	M0701 FILLER PIECE	1
7	0301060003	COLLIER POLYAM.3.6 X 140 NOIR	COLLAR	2
8	0300801401	POIGNEE SERRAGE M14x150 EMBOUT NOIR	HANDLEBAR TIGHTENING LEVER	1
9	0300430601	RONDELLE CONTACT 6 BIC NFE 25-511	CONTACT WASHER 6	1
10	0300010606	VIS H 6X60 Z CL 6.8 NFEN 24017	SCREW H 6 X 60 Z CL 6.8 NFEN 24017	1



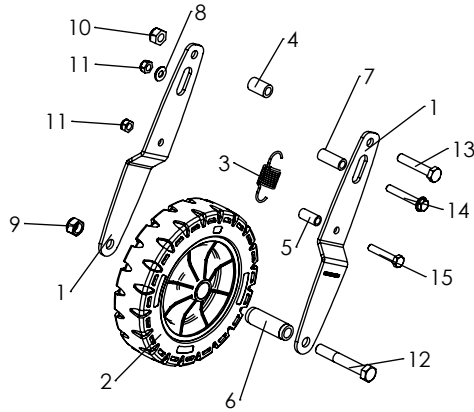
Rep N°	Ref.	Désignation	Description	Qté
1	3003210010	BUTEE SNAP IN	Snap in stop	1
2	0340010206	DISQUE HABILLAGE CREUX M0701 ORANGE RAL2009	M0701 DRESS UP HOLLOW DISK ORANGE RAL2009	1
2	0340010195	DISQUE HABILLAGE CREUX M0701 JAUNE RAL1003	M0701 DRESS UP HOLLOW DISK YELLOW RAL1003	1
2	0340010168	DISQUE HABILLAGE CREUX M0701 ROUGE RAL3001	M0701 DRESS UP HOLLOW DISK RED RAL3001	1
2	0340010158	DISQUE HABILLAGE CREUX M0701 VERT RAL 6029	M0701 DRESS UP HOLLOW DISK GREEN RAL 6029	1
2	0340010130	DISQUE HABILLAGE CREUX M0701 BLEU RAL 5010	M0701 DRESS UP HOLLOW DISK BLUE RAL 5010	1
2	0340010113	DISQUE HABILLAGE CREUX M0701 TRANSPARENT	M0701 DRESS UP HOLLOW DISK TRANSPARENCY	1
2	0340010112	DISQUE HABILLAGE CREUX M0701 GRIS (627)	M0701 DRESS UP HOLLOW DISK GREY (627)	1
2	0340010106	DISQUE HABILLAGE CREUX M0701 NOIR RAL 9005	M0701 DRESS UP HOLLOW DISK BLACK RAL 9005	1
3	0340010194	CAPOT COURROIE M0701 JAUNE RAL 1003	M0701 BELT COVER YELLOW RAL 1003	1
3	0340010152	CAPOT COURROIE M0701 JAUNE RAL 1021	M0701 BELT COVER YELLOW RAL 1021	1
3	0340010144	CAPOT COURROIE M0701 ORANGE P1375C	M0701 BELT COVER ORANGE P1375C	1
3	0340010140	CAPOT COURROIE M0701 VERT RAL 6029	M0701 BELT COVER GREEN RAL 6029	1
3	0340010134	CAPOT COURROIE M0701 BLEU RAL 5010	M0701 BELT COVER BLUE RAL 5010	1
3	0340010132	CAPOT COURROIE M0701 ORANGE RAL 2009	M0701 BELT COVER ORANGE RAL 2009	2
3	0340010115	CAPOT COURROIE M0701 ROUGE RAL3001	M0701 BELT COVER RED RAL 3001	1
3	0340010108	CAPOT COURROIE M0701 Noir RAL 9005	M0701 BELT COVER BLACK RAL 9005	1
4	0340010193	CAPOT DROIT M0701 JAUNE RAL 1003	M0701 RIGHT COVER YELLOW RAL 1003	1
4	0340010151	CAPOT DROIT M0701 JAUNE RAL 1021	M0701 RIGHT COVER YELLOW RAL 1021	1
4	0340010143	CAPOT DROIT M0701 ORANGE P1375C	M0701 RIGHT COVER ORANGE P1375C	1
4	0340010139	CAPOT DROIT M0701 VERT RAL 6029	M0701 RIGHT COVER GREEN RAL 6029	1
4	0340010133	CAPOT DROIT M0701 BLEU RAL 5010	M0701 RIGHT COVER BLUE RAL 5010	1
4	0340010131	CAPOT DROIT M0701 ORANGE RAL 2009	M0701 RIGHT COVER ORANGE RAL 2009	2
4	0340010114	CAPOT DROIT M0701 ROUGE RAL3001	M0701 RIGHT COVER RED RAL 3001	1
4	0340010107	CAPOT DROIT M0701 Noir RAL 9005	M0701 RIGHT COVER BLACK RAL 9005	1
5	0340010178	TRAPPE AV CAPOT COURROIE POULIE DOUBLE BLEU RAL5010	FRONT BELT COVER DOUBLE PULLEY BLUE RAL5010	1
5	0340010172	TRAPPE AV CAPOT COURROIE POULIE DOUBLE VERT RAL6029	FRONT BELT COVER DOUBLE PULLEY GREEN RAL6029	1
5	0340010171	TRAPPE AV CAPOT COURROIE POULIE DOUBLE ORANGE P1375C	FRONT BELT COVER DOUBLE PULLEY ORANGE P1375C	1
5	0340010170	TRAPPE AV CAPOT COURROIE POULIE DOUBLE ROUGE RAL3001	FRONT BELT COVER DOUBLE PULLEY RED RAL3001	1
5	0340010169	TRAPPE AV CAPOT COURROIE POULIE DOUBLE NOIR RAL9005	FRONT BELT COVER DOUBLE PULLEY BLACK RAL9005	1
6	0340010177	CAPOT COURROIE M0701 DECOUPE BLEU RAL5010	BELT COVER M0701 CUT BLUE RAL5010	1
6	0340010176	CAPOT COURROIE M0701 DECOUPE VERT RAL6029	BELT COVER M0701 CUT GREEN RAL6029	1
6	0340010175	CAPOT COURROIE M0701 DECOUPE ORANGE P1375C	BELT COVER M0701 CUT ORANGE P1375C	1
6	0340010174	CAPOT COURROIE M0701 DECOUPE ROUGE RAL3001	BELT COVER M0701 CUT RED RAL3001	1
6	0340010173	CAPOT COURROIE M0701 DECOUPE NOIR RAL9005	BELT COVER M0701 CUT BLACK RAL9005	1
7	0340010109	CACHE INTERIEUR M0701 NOIR RAL9005	M0701 interior hide	1
8	0302020111	ENTRET EPAUL D13 d9 Lg16,5	SPACER SHOULDER 13x9x16.5 Z	2
9	0301050003	CLIP EASYBOSS 40X25X7	EASYBOSS CLIP 40X25X7	3
10	0300260601	ECROU HM 6 ZEMB CR DIN 6923	NUT H M6 Z NOTCHED SHOULDER	3
11	0300210602	ECROU FREIN M 6 Z DIN 985-8	BLOCKING NUT M 6 Z	4
12	0300080405	VIS TOLE TETE POELIER D11 POZI Cr 4.2X16 Z	SCREW POZI 4.2X16Z	3
13	0300020608	VIS CHC 6 X 12 Z DIN 912 8.8	Screw CHC M6x12z	4
14	0300010610	VIS H 6x20 Z EMB CR DIN 6921	Screw HM 6x20 notched shoulder	1
15	0300010609	VIS H 6x16 Z EMB CR DIN 6921	SCREW HM 6X16 Z NOTCHED SHOULD	2



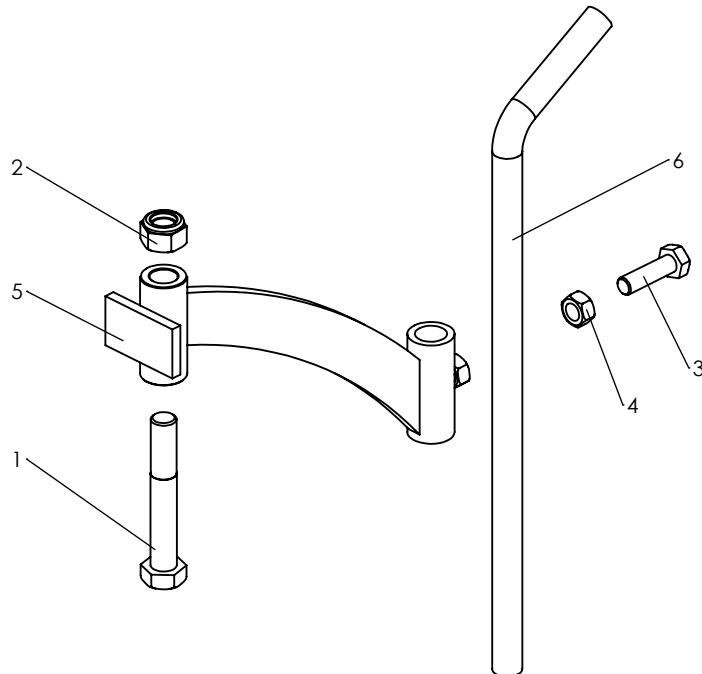
Rep N°	Ref.	Désignation	Description	Qté
1	0307020023	MANETTE GAZ LGC POMMEAU NOIR RAL9005	THROTTLE LEVER LGC BLACK KNOB RAL9005	1
2	0308040050	CABLE GAZ x1050 xLF60 Z0° MANETTE LGC	Throttle cable Lg 1050mm stroke 60mm	1
3	0503000045	ETIQ. POIGNEE GAZ (AVEC STOP)	STICKER THROTTLE CONTROL STOP-MIN-MAX	1
4	0503000043	ETIQ. GAZ (SS STOP)VERS PNEUM DIM 42X11	Label throttle control without stop	1
5	0300210602	ECROU FREIN M 6 Z DIN 985-8	BLOCKING NUT M 6 Z	1
6	0300080610	VIS TRCC 6 X 45/20 Z Din603	SCREW TRCC 6 X 45 Z	1
7	0300400301	RONDELLE PLATE 3.2x10x1 Z	Washer M 3.2x10x1 Z	1
8	0503000031	ETIQ. MARCHE-ARRET SWITCH DIM 20 X 15	STICKER SWITCH ON-OFF GX	1
9	0330062001	SWITCH ON/OFF LONCIN	SWITCH ON/OFF LONCIN	1



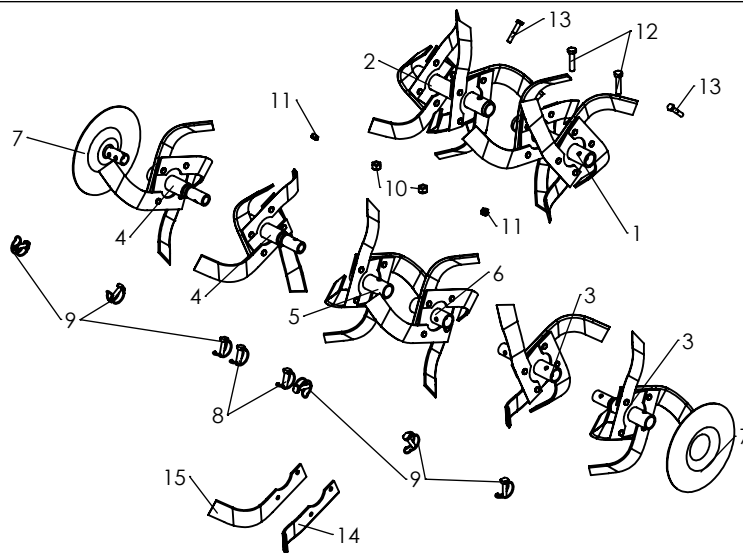
Rep N°	Ref.	Désignation	Description	Qté
1	3001000055	COMMANDE VITESSE F0603	GEAR LEVER CONTROL	1
2	0503010315	STICKER VITESSE 2+N+R+N+1 F0603	SPEED LABEL 2+N+R+N+1	1
3	0340000012	COQUE LEVIER DE VITESSE F0603	GEAR CONTROL COVER	1
4	0340000011	POMMEAU LEVIER DE VIT M0701	SPEED SELECTOR LEVER	1
5	0308010012	CABLE VIT DOUBLE LG600 CF75	Gear cable	1
6	0300120404	VIS PT WN 1412 KB40x14 Z CRUCI	Screw PT WN 1412 KB 40x14	1
7	0300020608	VIS CHC 6 X 12 Z DIN 912 8.8	Screw CHC M6x12z	2



Rep N°	Ref.	Désignation	Description	Qté
1	3002210305	PLATINE ROUE DE TRANSPORT NOIR RAL 9005	Wheel support black RAL 9005	2
2	0309000033	ROUE RT DIAM200 ALS 20	RT wheel Ø200 bore 20	1
3	0305010015	RESSORT TR 43xØ20x22/10 GALVA	Draw spring 43xØ20x22/10 galva	1
4	0302020116	ENTR. 16x10x26 xZNCR3x	SPACER 16x10x26 xZ	1
5	0302020103	ENTR. 12x8x26 Z	SPACER 12x8x26 Z	1
6	0302020081	ENTR. 20X12.5x61.5 xPOM	PLASTIC SPACER 20x12.5x61.5	1
7	0302020015	ENTR. 14x9x35 xZNCR3x ENTRETOISE CHASSIS	SPACER 14x9x35 xZ	1
8	0300400802	RONDELLE PLATE M 8X18X1.5 Z NFE 25513	PLATE WASHER M 8X18X1.5 Z NFE 25513	1
9	0300211201	ECROU FREIN M 12 Z DIN 985/8	BLOCKING NUT M 12 Z	1
10	0300211001	ECROU FREIN M 10 Z DIN 985/8	BLOCKING NUT M 10 Z	1
11	0300210802	ECROU FREIN M 8 Z DIN 985/8	BLOCKING NUT HM 8 Z DIN 985/8	2
12	0300011206	VIS H M 12x80/30 Z ISO 4014 CL 6.8	SCREW H M 12X80/30 Z ISO4014	1
13	0300011007	VIS H M 10x55/26 Z ISO 4014 cl 6.8	Screw H M 10x55 Z	1
14	0300010837	VIS H EMB CR M8x55 CLE13 CL8.8 A2K	SCREW H 8x55 Z NOTCHED SHOULDER CL 8.8	1
15	0300010802	VIS H 8 X 45/22 Z DIN931/6.8	Screw H M8 x 45	1



Rep N°	Ref.	Désignation	Description	Qty
1	0300011401	VIS H 14 X 90/34 Z CL 8.8 NFE 24014 - ISO 4014	Screw H M14x90-34 z cl 8.8 NFE 24014 - ISO 4014	1
2	0300211402	ECROU FREIN M14 Z DIN 985-8	Blocking nut M 14 Z DIN 985-8	1
3	0300011015	VIS HM10 X 30 Z NFEN24017 CL8.8 FST	Screw HM 10x30z FST	1
4	0300201002	ECROU H.U. M 10 Z DIN 934	NUT HM 10Z	1
5	3002000322	CORPS EPERON REGL CINTRE NOIR	Black adjustable spur support	1
6	3502010320	BEQUILLE Ø16 xNOIRx	SPUR BLACK	1



Rep N°	Ref.	Désignation	Description	Qté
1	0320010020	FRAISE DEPART MONO GAUCHE D25 HEL 40X4	LEFT TWIN TINES D25 HELICOID BLADE (40X4)	1
2	0320010019	FRAISE DEPART MONO DROITE D25 HEL 40X4	RIGHT TWIN TINES D25 HELICOID BLADE (40X4)	1
3	0320010008	FRAISE ADDIT HEL 40X4 GAUCHE	LEFT ADDITIONAL TINE D25 HELICOID BLADE (40X4)	2
4	0320010007	FRAISE ADDIT HEL 40X4 DROIT	RIGHT ADDITIONAL TINE D25 HELICOID BLADE (40X4)	2
5	0320010006	FRAISE DEPART DEM HEL 40X4 DROIT	RIGHT TINE REMOVABLE D25 HELICOID BLADE (40X4)	1
6	0320010005	FRAISE DEPART DEM HEL 40X4 GAUCHE	LEFT TINE REMOVABLE D25 HELICOID BLADE (40X4)	1
7	0320010001	DISQUE D25 NOIR RAL9005	DISK D25 BLACK RAL9005	2
8	0301010014	GOUPILLE CLIPS 10 x 36	CLIP PIN D10 x 36	2
9	0301010013	GOUPILLE CLIPS 8 x 36	CLIP PIN D8 x 36	6
10	0300211001	ECROU FREIN M 10 Z DIN 985/8	BLOCKING NUT M 10 Z	2
11	0300210802	ECROU FREIN M 8 Z DIN 985/8	BLOCKING NUT HM 8 Z DIN 985/8	4
12	0300011009	VIS H 10x45/26 N CL10.9 DIN931	Screw H M10x45/26 N	2
13	0300010819	VIS H 8x45/22 N CL10.9 DIN931	Screw HM 8x45/22 N	4
14	0001000030	COUTEAU HEL 40X4 GAUCHE	LEFT SPIRAL BLADE	1
15	0001000029	COUTEAU HEL 40x4 DROIT	RIGHT SPIRAL BLADE	1