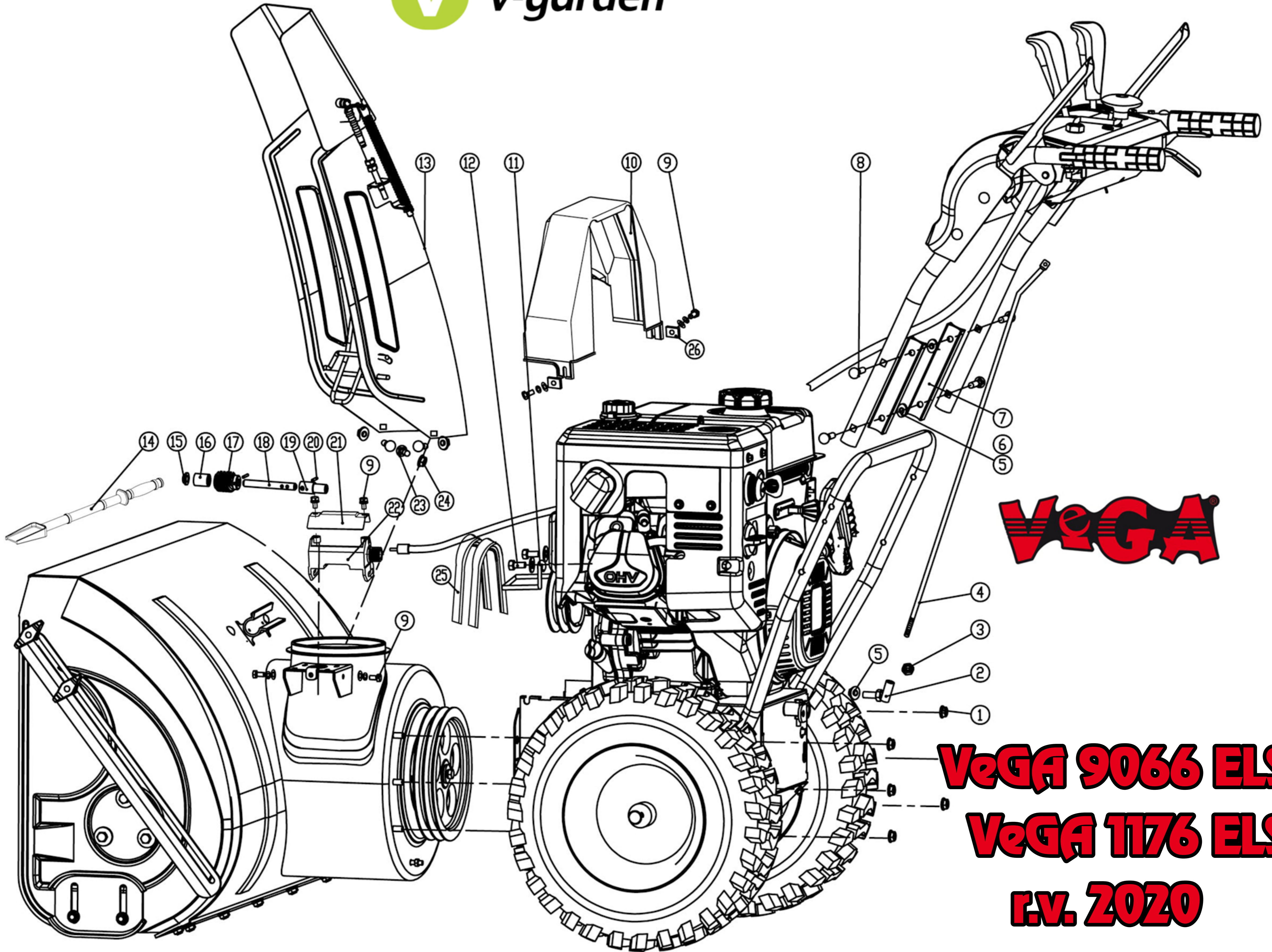




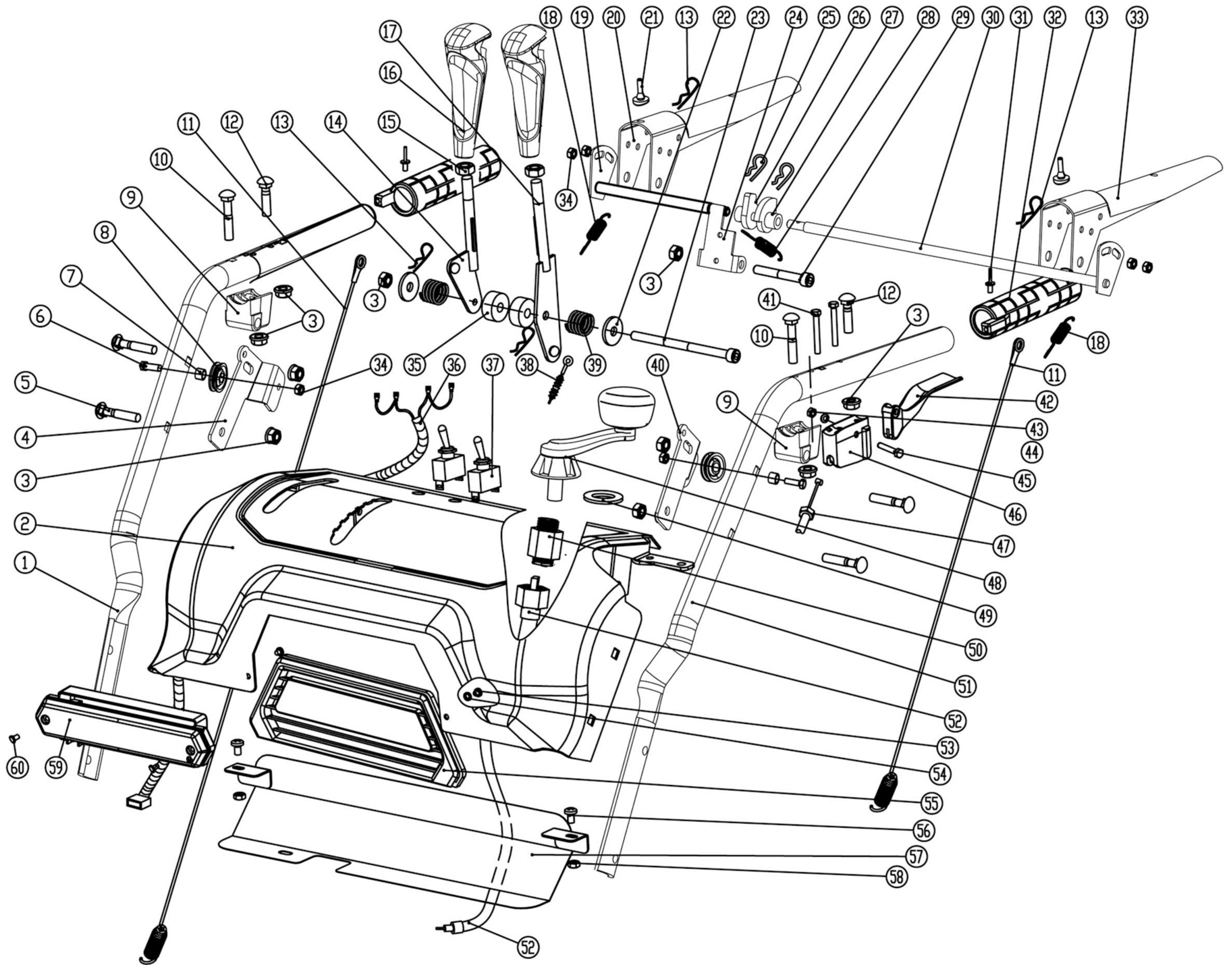
v-garden



**VEGA**

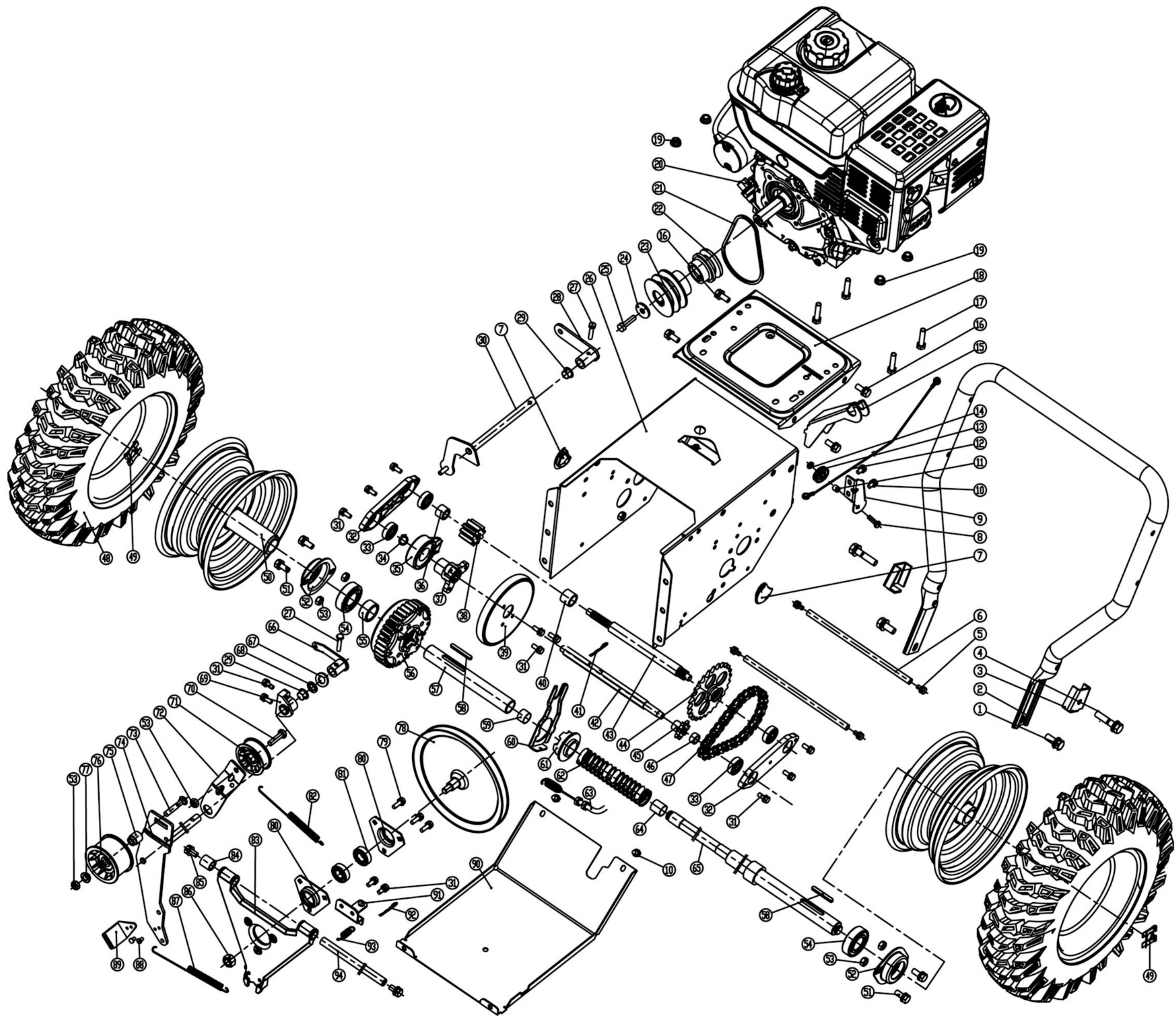
**VeGA 9066 ELS**  
**VeGA 1176 ELS**  
**r.v. 2020**

NO.	Part No. Výrobce	Part No. V-GARDEN	English Description
1	DIN6927	509076DIN6927	jam nut M8
2	KC55-10	509076KC55-10	right gimbal
3	GB/T6171-2000	509076GB/T6171-2000	nut M8x1
4	KC26-04A	509076KC26-04A	gear connector bar
5	GB/T889.1-2000	509076GB/T889.1-2000	nut M8
6	S07*00447	509076S07*00447	Concave gasket / 8 * 22 * 2
7	KC30-05A	509076KC30-05A	Armrest aluminum pad
8	GB/T12-1988	509076GB/T12-1988	bolts M8X55
9	GB/T9074.17-1994	509076GB/T9074.17-19	Hexagon head combination bolts M6X16
10	KC30A-04A	509076KC30A-04A	Belt cover
11	KC30A-07A	509076KC30A-07A	Belt gear
12	GB/T9074.17-1994	509076GB/T9074.17-19	Hexagon head bolts M8X20
13	KC42A-03A	509076KC42A-03A	chute assebmly
14	KC55-24	509076KC55-24	Snow shovel
15	KC55-15	509076KC55-15	Helical bracket washers
16	KC26-11	509076KC26-11	Long washers
17	KC26-14	509076KC26-14	Hollow worm
18	KC26-12	509076KC26-12	Mandrel
19	KC26-15	509076KC26-15	Lower connection tube
20	GB/T879-2000	509076GB/T879-2000	Elastic cylindrical pin 3 * 18
21	KC26-16	509076KC26-16	Rotating frame cover
22	KC26-10A	509076KC26-10A	Rotating frame
23	GB/T12-1988	509076GB/T12-1988	carriage bolt M8X16
24	GB/T889.1-2000	509076GB/T889.1-2000	hexagon lock nut M8
25	4LXP900	5090764LXP900	belt model 9076
	4LXP945	5011764LXP945	belt model 1176
26	KC30A-08	509076KC30A-08	Belt cover gasket



NO.	Part No. Výrobce	Part No. V-GARDEN	English Description
1	KC30-03C-01R	509076KC30-03C-01R	upper handle, right
2	KC30-03-02	509076KC30-03-02	G Panel
3	GB/T899.1-2000	509076GB/T899.1-2000	nut M8
4	KC30-03-44R	509076KC30-03-44R	right handle pulley seat
5	GB/T12-1988	509076GB/T12-1988	bolt M8*40
6	GB/T5780-2000	509076GB/T5780-2000	bolt M6X20
7	KC21-02-2	509076KC21-02-2	small shaft sleeve
8	KC40-28	509076KC40-28	pulley
9	KCA28-04-03	509076KCA28-04-03	handle seat
10	GB/T12-1988	509076GB/T12-1988	bolt M8X45
11	KC30-03-49	509076KC30-03-49	long wire
12	GB/T12-1988	509076GB/T12-1988	bolt M8*35
13	S03*00493	509076S03*00493	B pin 1.5x25
14	KC30-03-09	509076KC30-03-09	walking lever
15	GB/T41-2000	509076GB/T41-2000	nut M10
16	KC30-03-2(M4)	509076KC30-03-2(M4)	gear handle
17	KC30-03-11GGP	509076KC30-03-11GGP	chute cap handle
18	KC30-03-45	509076KC30-03-45	handle spring
19	KC30-03-46	509076KC30-03-46	short welded connecting rod
20	KCA28-04-04	509076KCA28-04-04	left control handle
21	KC55-03-15	509076KC55-03-15	rubber washer
22	GB/T5287-2002	509076GB/T5287-2002	big washer 8
23	GB/T70.1-1985	509076GB/T70.1-1985	screw M8x150
24	KC30-03-47	509076KC30-03-47	stopper
25	KC30-03-50	509076KC30-03-50	plug
26	KC55-03-25A	509076KC55-03-25A	right cam
27	KC55-03-13A	509076KC55-03-13A	left cam
28	KC55-03-11	509076KC55-03-11	stop spring
29	GB/T70.1-1985	509076GB/T70.1-1985	screw M8x60
30	KC30-03-48	509076KC30-03-48	long welded connecting rod
31	GB/T12618-1990	509076GB/T12618-1990	rivet 4x10
32	KC90-04-04A	509076KC90-04-04A	heated handle
33	KCA28-04-10	509076KCA28-04-10	left handle
34	GB/T899.1-2000	509076GB/T899.1-2000	bolt M6
35	KC55.03-05-6	509076KC55.03-05-6	short sleeve
36	KC30-03-14	509076KC30-03-14	input wire
37	HY64	509076HY64	switch
38	KC30A-05-4	509076KC30A-05-4	chute cap cable
39	KCD26-06-2	509076KCD26-06-2	preset spring
40	KC30-03-44L	509076KC30-03-44L	left handle pulley seat
41	GB/T70.1-1985	509076GB/T70.1-1985	screw M5*35
42	KC30-03-08	509076KC30-03-08	differential lever
43	GB/T889.1-2000	509076GB/T889.1-2000	jam nut M6
44	GB/T95-2002	509076GB/T95-2002	flat washer 6
45	KC30-03-06	509076KC30-03-06	handle bolt
46	KC30-03-05	509076KC30-03-05	differential lever seat
47	KC30-02-06B	509076KC30-02-06B	differential cable
48	KC30-03-32	509076KC30-03-32	Rotator assembly
49	KC30-03-31	509076KC30-03-31	rubber washer
50	KC30-03-23	509076KC30-03-23	lower rotate lever seat
51	KC30-03C-01L	509076KC30-03C-01L	upper handle, left
52	KC30-03-22A	509076KC30-03-22A	Soft shaft assembly

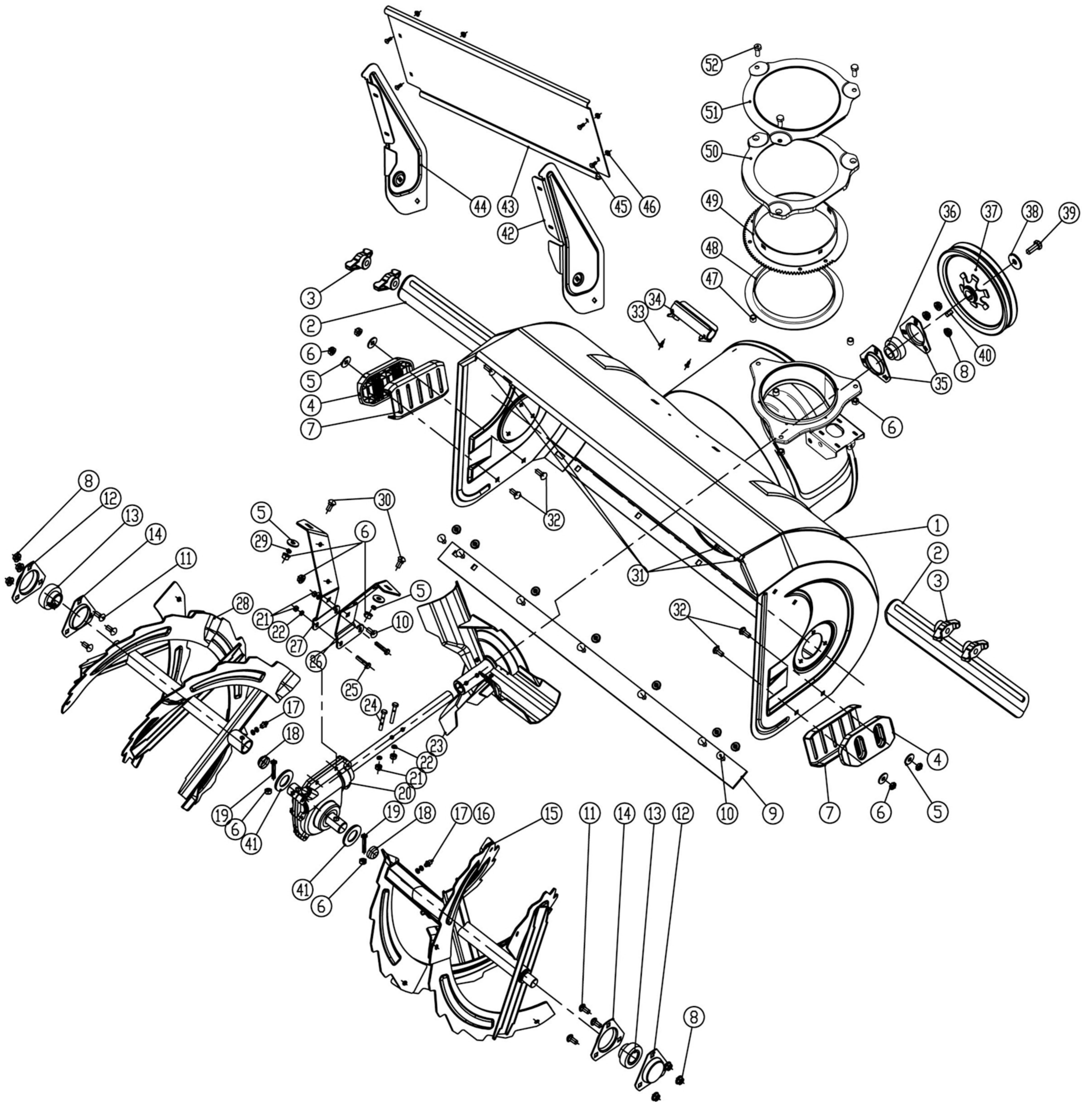
53	GB/T818-2000	509076GB/T818-2000	screw M6x10
54	GB/T95-2002	509076GB/T95-2002	flat washer 6
55	KC30-03-24	509076KC30-03-24	panel
56	GB/T9074.17-1988	509076GB/T9074.17-19	bolt M6x16
57	KC30-03-26	509076KC30-03-26	cover
58	GB/T889.1-2000	509076GB/T889.1-2000	jam nut M6
59	KC21-03-15	509076KC21-03-15	long LED
60	GB/T846-1985	509076GB/T846-1985	screw ST3.5X16F



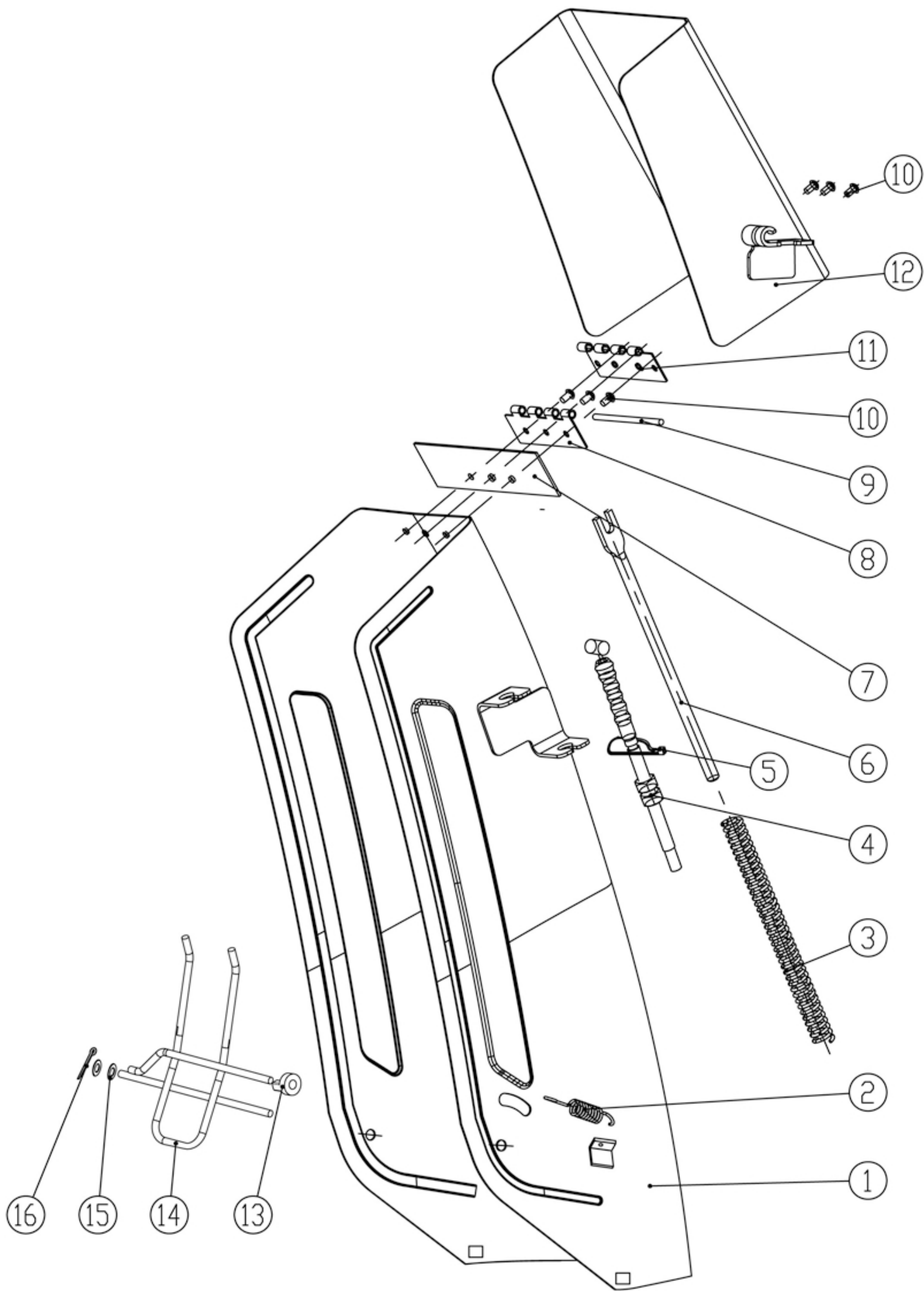
NO.	Part No. Výrobce	Part No. V-GARDEN	English Description
1	GB/T9074.17-1988	509076GB/T9074.17-19	bolt M10x25
2	KC90-02-21A	509076KC90-02-21A	handlebar
3	KC55-02-25A	509076KC55-02-25A	handlebar washer
4	GB/T9074.17-1988	509076GB/T9074.17-19	Bolt M10x45
5	GB/T6563-1986	509076GB/T6563-1986	Hexagon self-tapping locking screw M6x12
6	KC30A-02-30	509076KC30A-02-30	strut
7	KC30A-02-28	509076KC30A-02-28	cover 4
8	GB/T5780-2000	509076GB/T5780-2000	bolt M6x20
9	KCM24-02C-19	509076KCM24-02C-19	pulley seat
10	GB/T9074.17-1988	509076GB/T9074.17-19	Bolt M6x12
11	KC21-02-2	509076KC21-02-2	small shaft sleeve
12	KC21-02C-01	509076KC21-02C-01	short wire
13	KC40-28	509076KC40-28	pulley
14	GB/T899.1-2000	509076GB/T899.1-2000	jam nut M6
15	KC30A-02-02	509076KC30A-02-02	bolt M8X20
16	GB/T9074.17-1988	509076GB/T9074.17-19	connecting plate
17	GB/T5780-2000	509076GB/T5780-2000	bolt M8X40
18	KC21-02C-03	509076KC21-02C-03	engine seat
19	DIN6927	509076DIN6927	jam nut M8
20	engine	509076engine	engine
21	3LXP820	5090763LXP820	belt model 9076
	3LXP870	5011763LXP870	belt model 1176
22	KC30A-02-03	509076KC30A-02-03	drive wheel
23	KC90-02-16	509076KC90-02-16	small belt pulley
24	GB/T5287-2002	509076GB/T5287-2002	super washer 8
25	GB/T5786-2000	509076GB/T5786-2000	bolt M8X1X30
26	KC30A-02-04A	509076KC30A-02-04A	transmission box assembly
27	GB/T9074.17-1988	509076GB/T9074.17-19	bolt M6X20
28	KC30-02-12	509076KC30-02-12	shift connector
29	KC90-02-07	509076KC90-02-07	plastic sleeve
30	KC55-02-05	509076KC55-02-05	shift fork
31	GB/T9074.17-1988	509076GB/T9074.17-19	bolt M6X16
32	KC30A-02-05	509076KC30A-02-05	bearing seat
33	GB/T276-1997	509076GB/T276-1997	ball bearing 6200
34	GB/T894.1986	509076GB/T894.1986	circlip 25
35	KC21-02-13	509076KC21-02-13	shift bearing
36	KC30A-02-06	509076KC30A-02-06	sleeve15x20x15
37	KC21-02-12B	509076KC21-02-12B	rubber wheel seat
38	KC30A-02-07	509076KC30A-02-07	small gear
39	KC21-02-11B	509076KC21-02-11B	rubber wheel
40	KC30A-02-08	509076KC30A-02-08	sleeve 18x23x18
41	KC55-29	509076KC55-29	circlip
42	KC30A-02-9	509076KC30A-02-9	hexagon shaft
43	KC30A-02-10-2	509076KC30A-02-10-2	transit shaft
44	KC30A-02-10-1	509076KC30A-02-10-1	chain wheel
45	KC30A-02-11	509076KC30A-02-11	small chain wheel
46	KC30A-02-12	509076KC30A-02-12	shaft sleeve 12x15x8
47	GB/T1243-1997	509076GB/T1243-1997	chain 085-32
48	16X4.80-8	50907616X4.80-8	tyre
49	KC90-03-07	509076KC90-03-07	clip
50	KC30A-02-13	509076KC30A-02-13	rim
51	GB/T9074.17-1988	509076GB/T9074.17-19	bolt M6x16

52	KC90-02-11	509076KC90-02-11	bearing seat
53	GB/T899.1-2000	509076GB/T899.1-2000	lock nut M8
54	GB/T276-1997	509076GB/T276-1997	ball bearing 6205
55	KC30A-02-14	509076KC30A-02-14	shaft sleeve 25x34x16
56	KC30A-02-15	509076KC30A-02-15	differential
57	KC30A-02-16	509076KC30A-02-16	short semi-shaft
58	GB/T1095-2003	509076GB/T1095-2003	flat key 6x4x45
59	KC30A-02-17	509076KC30A-02-17	bronze sleeve 1
60	KC30A-02-18	509076KC30A-02-18	fork plate
61	KC30-02-07	509076KC30-02-07	semi differential part
62	KC30-02-05	509076KC30-02-05	big spring
63	KC30-02-06A	509076KC30-02-06A	differential cable
64	KC30A-02-19	509076KC30A-02-19	bronze sleeve 2
65	KC30A-02-20	509076KC30A-02-20	long shaft
66	KC30A-02-31	509076KC30A-02-31	tension connector
67	GB/T848-2002	509076GB/T848-2002	flat washer 12
68	GB/T955-1987	509076GB/T955-1987	washer 12
69	KC21-02C-09	509076KC21-02C-09	fixing block
70	GB/T5780-2000	509076GB/T5780-2000	bolt M8x30
71	KC55-02-21	509076KC55-02-21	small tension pulley
72	KC30A-02A-4	509076KC30A-02A-4	small tension plate
73	GB/T12-1988	509076GB/T12-1988	bolt M8X45
74	KC30A-02A-05	509076KC30A-02A-05	big tension combination
75	KC55-01-24	509076KC55-01-24	pad cover
76	KC55-01-27	509076KC55-01-27	big tension pulley
77	KC55-01-26	509076KC55-01-26	pad
78	KC21-02C-13	509076KC21-02C-13	friction disc
79	GB/T9074.17-1988	509076GB/T9074.17-19	bolt M6x20
80	KC90-02-12	509076KC90-02-12	bearing seat
81	GB/T276-1997	509076GB/T276-1997	ball bearing 6002
82	KC90-02-15	509076KC90-02-15	spring
83	KC30A-02-23	509076KC30A-02-23	support for friction disc
84	KC30A-02-24	509076KC30A-02-24	sleeve 13x20x20
85	GB/T9074.17-1988	509076GB/T9074.17-19	bolt M8X16
86	GB/T899.1-2000	509076GB/T899.1-2000	jam nut M12
87	KC21-02C-12	509076KC21-02C-12	brake spring
88	GB/T109-1986	509076GB/T109-1986	rivet 4x12
89	KC30A-02-25	509076KC30A-02-25	brake block
90	KC30A-02-26A	509076KC30A-02-26A	bottom plate for transmission box
91	KC30A-02-27	509076KC30A-02-27	position part
92	S03*00493	509076S03*00493	B Pin;φ1.5X25
93	KC21-02C-17	509076KC21-02C-17	reset spring
94	KC90-02-31	509076KC90-02-31	strut





NO.	Part No. Výrobce	Part No. V-GARDEN	English Description
1	KCA30-01-01A	509076KCA30-01-01A	housing assembly
2	KC26-01-06	509076KC26-01-06	support for housing
3	KC55-25	509076KC55-25	plastic nut
4	KC42-01-02	509076KC42-01-02	skid shoe
5	GB/T96.2-2002	509076GB/T96.2-2002	big washer 8
6	GB/T889.1-2000	509076GB/T889.1-2000	jam nut M8
7	KCA34-01-10	509076KCA34-01-10	skid shoe
8	DIN6927	509076DIN6927	jam nut M8
9	KC30-01-02	509076KC30-01-02	scraper bar
10	GB/T12-1988	509076GB/T12-1988	bolt M8x16
11	GB/T12-1988	509076GB/T12-1988	bolt M8x18
12	KC42-01-05A	509076KC42-01-05A	bearing cover
13	GB/T7810-1995	509076GB/T7810-1995	bearing SB205
14	KC42-01-04A	509076KC42-01-04A	bearing seat
15	KCA30-01-02	509076KCA30-01-02	auger, right
16	GB/T95-2002	509076GB/T95-2002	flat washer 8
17	JB/T7940.1-1995	509076JB/T7940.1-199	oil cup M8x1
18	KCA34-01-03	509076KCA34-01-03	grease cap
19	KCA34-01-04	509076KCA34-01-04	safety pin
20	KCA34-01-05	509076KCA34-01-05	gear box
21	GB/T889.1-2000	509076GB/T889.1-2000	jam nut M6
22	GB/T93-1987	509076GB/T93-1987	spring washer 6
23	KCA34-01-06	509076KCA34-01-06	impeller
24	GB/T5782-2000	509076GB/T5782-2000	bolt M6x40
25	GB/T5782-2000	509076GB/T5782-2000	bolt M6x30
26	KCA34-01-07R	509076KCA34-01-07R	support right
27	KCA34-01-07L	509076KCA34-01-07L	support left
28	KCA30-01-03	509076KCA30-01-03	auger, left
29	GB/T93-1987	509076GB/T93-1987	spring washer 8
30	GB/T12-1988	509076GB/T12-1988	bolt M8x20
31	GB/T12-1988	509076GB/T12-1988	bolt M8x20
32	GB/T12-1988	509076GB/T12-1988	bolt M8x25
33	GB/T845-1985	509076GB/T845-1985	screw ST4.2x9.5-F
34	KC55-01-21	509076KC55-01-21	shovel support
35	KC42-01-20	509076KC42-01-20	bearing seat
36	SB204	509076SB204	bearing
37	KC42-01-22	509076KC42-01-22	impeller pulley
38	GB/T5287-2002	509076GB/T5287-2002	super washer 10
39	GB/T5780-2000	509076GB/T5780-2000	bolt M10x25
40	GB/T1095-2003	509076GB/T1095-2003	flat key A 6x20
41	KCA34-01-09	509076KCA34-01-09	plastic washer
42	KCA34-01-11	509076KCA34-01-11	higher panel support, right (optional)
43	KCA30-01-04	509076KCA30-01-04	higher panel(optional)
44	KCA34-01-13	509076KCA34-01-13	higher panel support, left (optional)
45	GB /T12-1988	509076GB /T12-1988	bolt M8x16 (optional)
46	GB/T6183.1-2000	509076GB/T6183.1-200	jam nut M8 (optional)
47	KCA34-01-14	509076KCA34-01-14	pad
48	KCA34-01-15	509076KCA34-01-15	gear plate gasket
49	KCA34-01-16	509076KCA34-01-16	gear plate
50	KCA34-01-17	509076KCA34-01-17	gear plate cover
51	KCA34-01-18	509076KCA34-01-18	gear plate outer cover
52	GB/T5780-2000	509076GB/T5780-2000	bolt M8*20



<b>NO.</b>	<b>Part No. Výrobce</b>	<b>Part No. V-GARDEN</b>	<b>English Description</b>
1	KC42A-03A-1A	509076KC42A-03A-1A	chute welded
2	KC55-03-17	509076KC55-03-17	handle spring
3	KC30A-05-2	509076KC30A-05-2	chute spring
4	KC30A-05-4	509076KC30A-05-4	chute wire
5			Nylon cable ties 2.5 * 150
6	KC30A-05-3	509076KC30A-05-3	Pole
7	KC42A-03-2	509076KC42A-03-2	big sealing pad
8	KC30A-05-6	509076KC30A-05-6	lower hinge
9	KC30A-05-7	509076KC30A-05-7	hinge shaft
10	GB/T12618-1990	509076GB/T12618-1990	rivet 4x10
11	KC30A-05-08	509076KC30A-05-08	upper hinge
12	KC42A-03-3A	509076KC42A-03-3A	deflector welded
13	KC21-23	509076KC21-23	washer
14	KC42A-03-4	509076KC42A-03-4	safety rod
15	KC55-26	509076KC55-26	plastic washer
16	GB/T91-2000	509076GB/T91-2000	split pin2*16