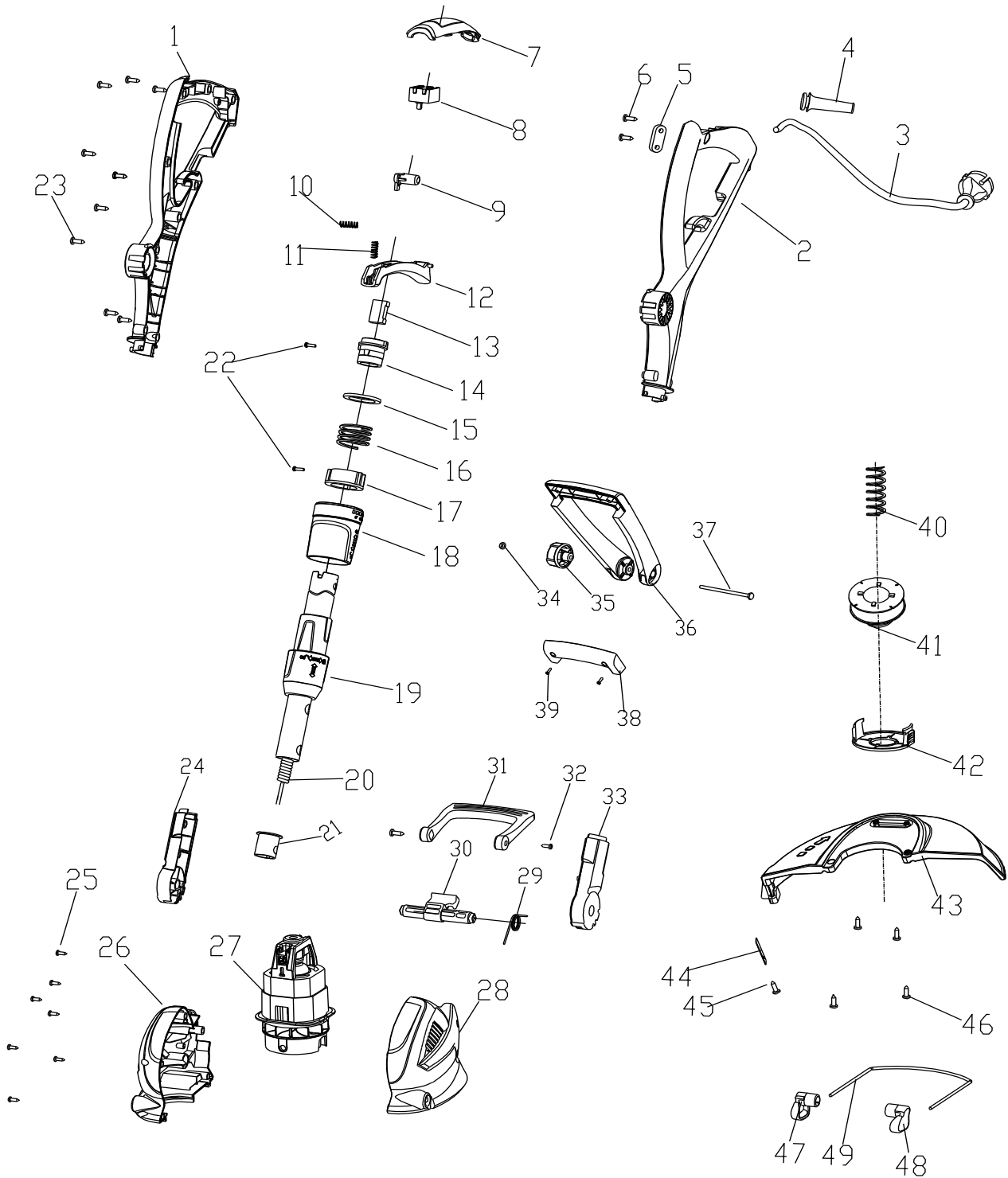


VeGA GT 5140

N1F-GT-290/600-A 打草机爆炸图



| No. | ID zboží | název |
|-----|-----------------------|---------------------------------------|
| 1 | 5140GT011-01 | left handle |
| 2 | 5140GT011-02 | right handle |
| 3 | 5140GT011-03 | cable |
| 4 | 5140GT011-04 | cable sleeve |
| 5 | 5140GT011-05 | cable fixture plate |
| 6 | 5140GB/T845-1985 | tapping screw ST4.2x13 |
| 7 | 5140GT011-06 | handle cover |
| 8 | 5140GT011-07 | switch |
| 9 | 5140GT011-08 | self lock button |
| 10 | 5140GT011-09 | spring |
| 11 | 5140GT011-10 | spring |
| 12 | 5140GT011-11 | switch button |
| 13 | 5140GT011-12 | capacitor 0.22 μ F |
| 14 | 5140GT011-13 | insulation cap |
| 15 | 5140GT011-14 | flat washer |
| 16 | 5140GT011-15 | spring |
| 17 | 5140GT011-16 | active handle cap |
| 18 | 5140GT011-17 | active handle |
| 19 | 5140GT011-18 | tub |
| 20 | 5140GT011-19 | internal cable |
| 21 | 5140GT011-20 | tube cover |
| 22 | 5140GB/T845-1985 | tapping screw ST2.9x9.5 |
| 23 | 5140GB/T845-1985 | Cross screw ST4.2x13 |
| 24 | 5140GT011-21 | right spindle |
| 25 | 5140GB/T845-1985 | tapping screw ST4.2x13 |
| 26 | 5140GT011-22 | right housing |
| 27 | 5140GT012-34 | motor |
| 28 | 5140GT011-24 | left housing |
| 29 | 5140GT011-25 | torsional spring |
| 30 | 5140GT011-26 | active gear |
| 31 | 5140GT011-27 | pedal |
| 32 | 5140GB/T845-1985 | tapping screw ST4.2x13 |
| 33 | 5140GT011-28 | left spindle |
| 34 | 5140GB/T 6170-2000 | Hexagon nuts, style 1 M6 |
| 35 | 5140GT011-29 | knob |
| 36 | 5140GT011-30 | front handle |
| 37 | 5140GB/T 5782-2000 | Hexagon head bolt M6x90 |
| 38 | 5140GT011-31 | front handle cover |
| 39 | 5140GB/T845-1985 | tapping screw ST4.2x13 |
| 40 | 5140GT011-32 | spool sping |
| 41 | 5140GT011-33 | spool |
| 42 | 5140GT011-34 | spool cover |
| 43 | 5140GT011-35 | guard |
| 44 | 5140GT011-36 | blade |
| 45 | 5140GB/T 9074.18-2002 | screw and washer assemblles ST4.2x9.5 |
| 46 | 5140GB/T845-1985 | tapping screw ST4.2x13 |
| 47 | 5140GT011-37 | left button |
| 48 | 5140GT011-38 | right button |
| 49 | 5140GT011-39 | flower protection ring |