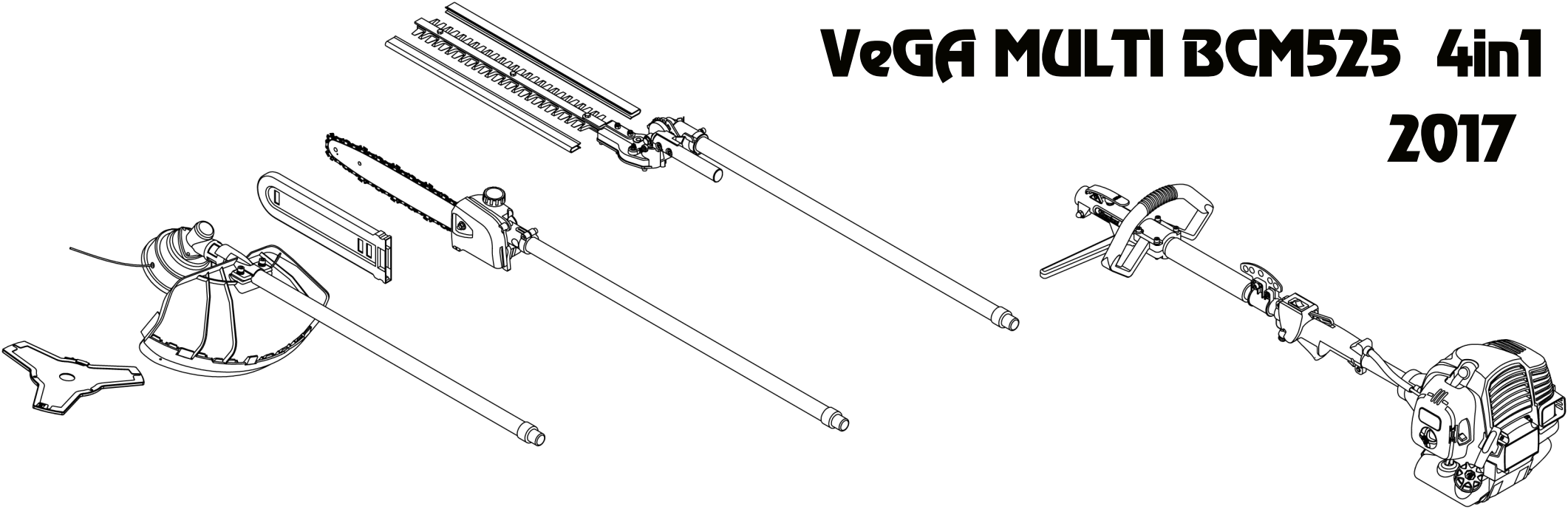
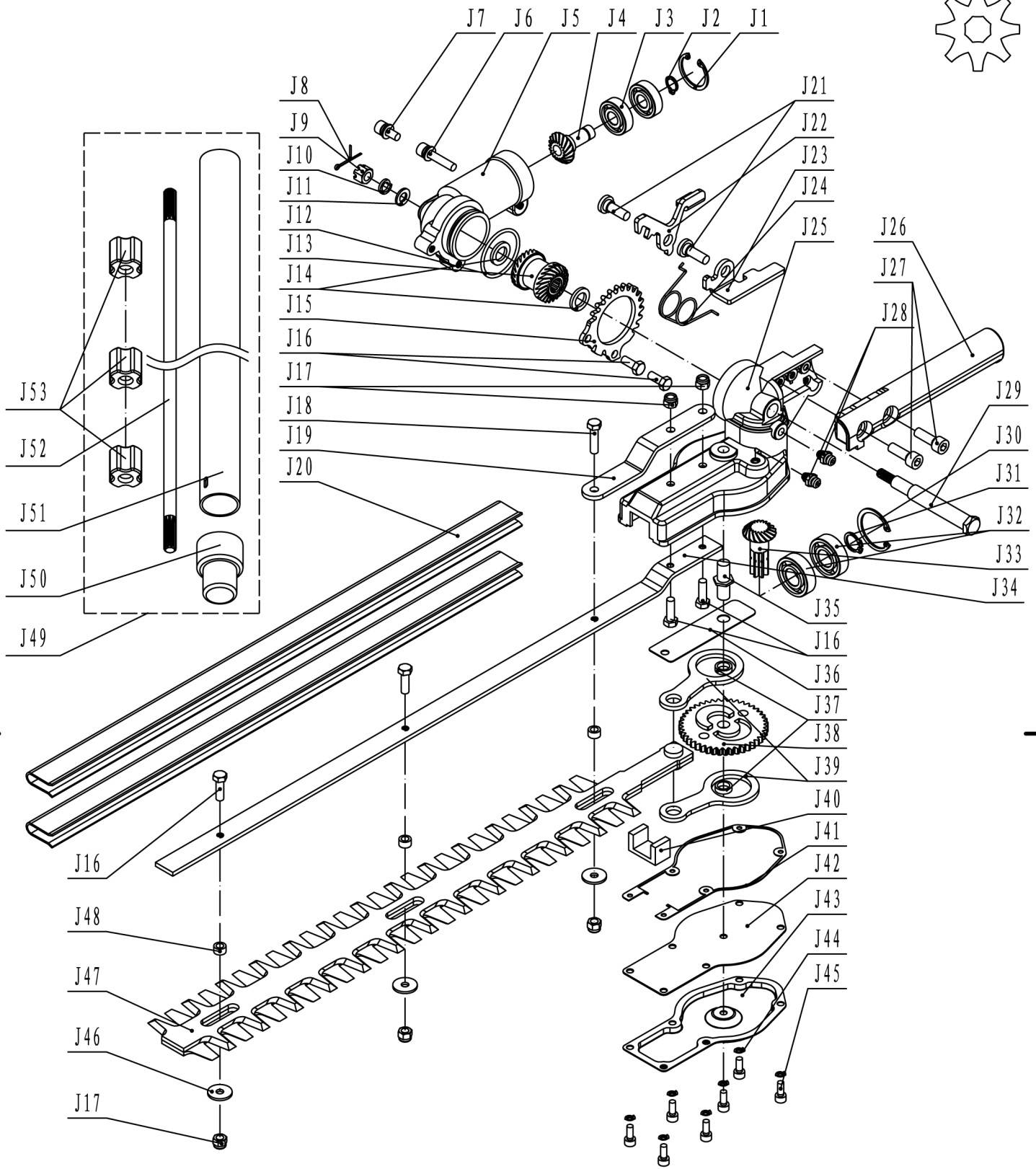
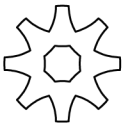


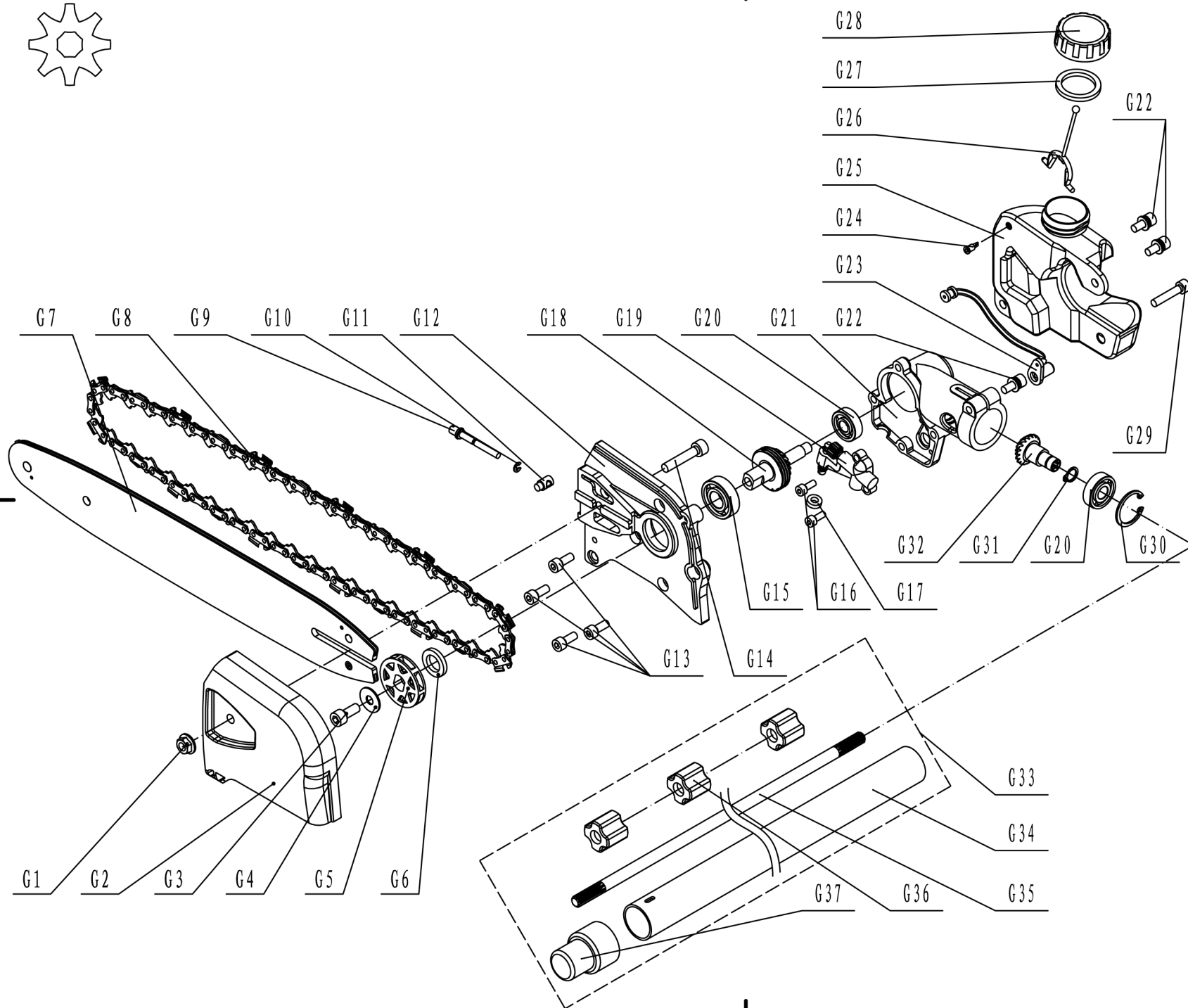
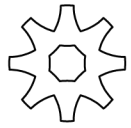
VeGA MULTI BCM525 4in1

2017

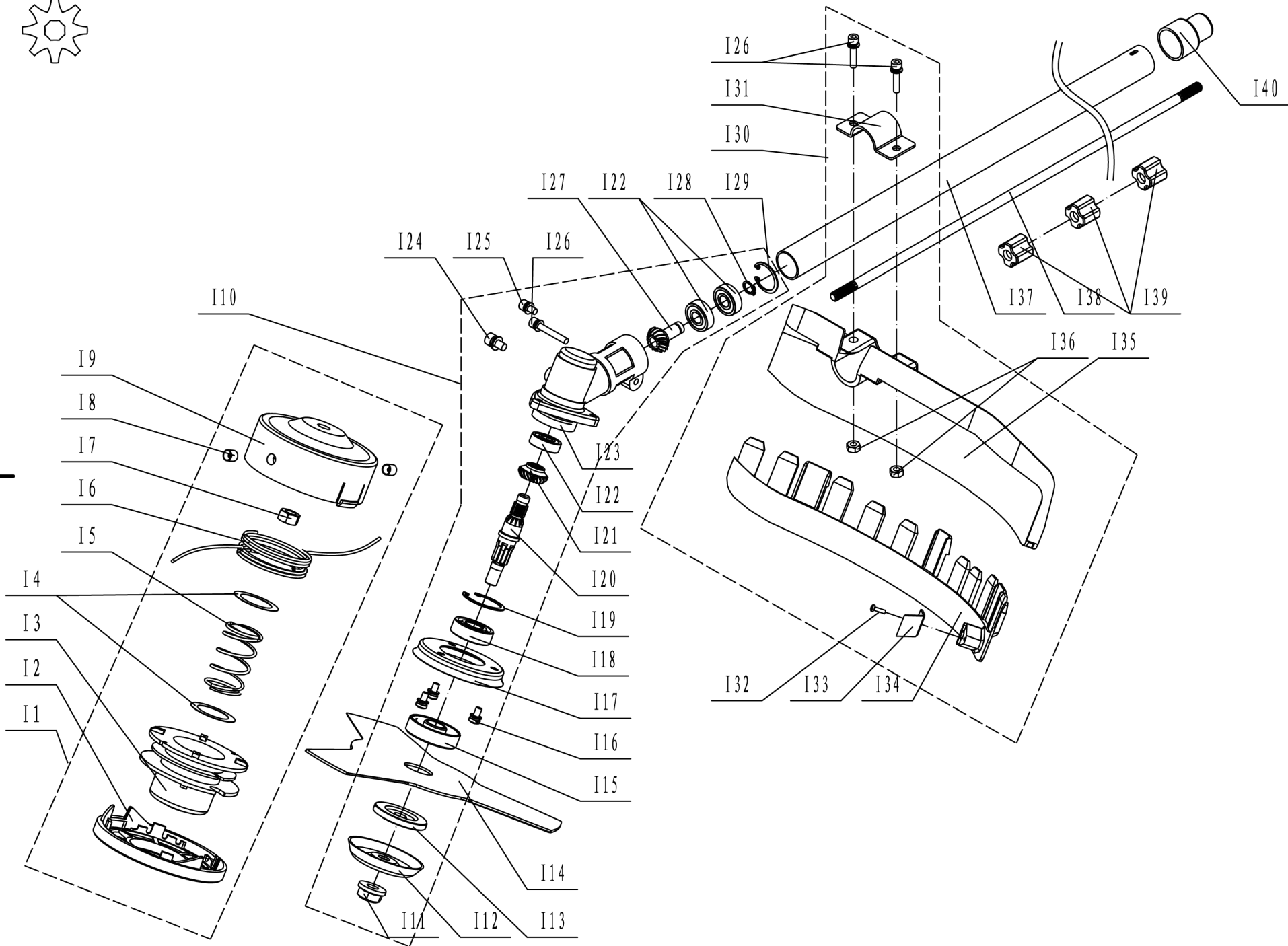




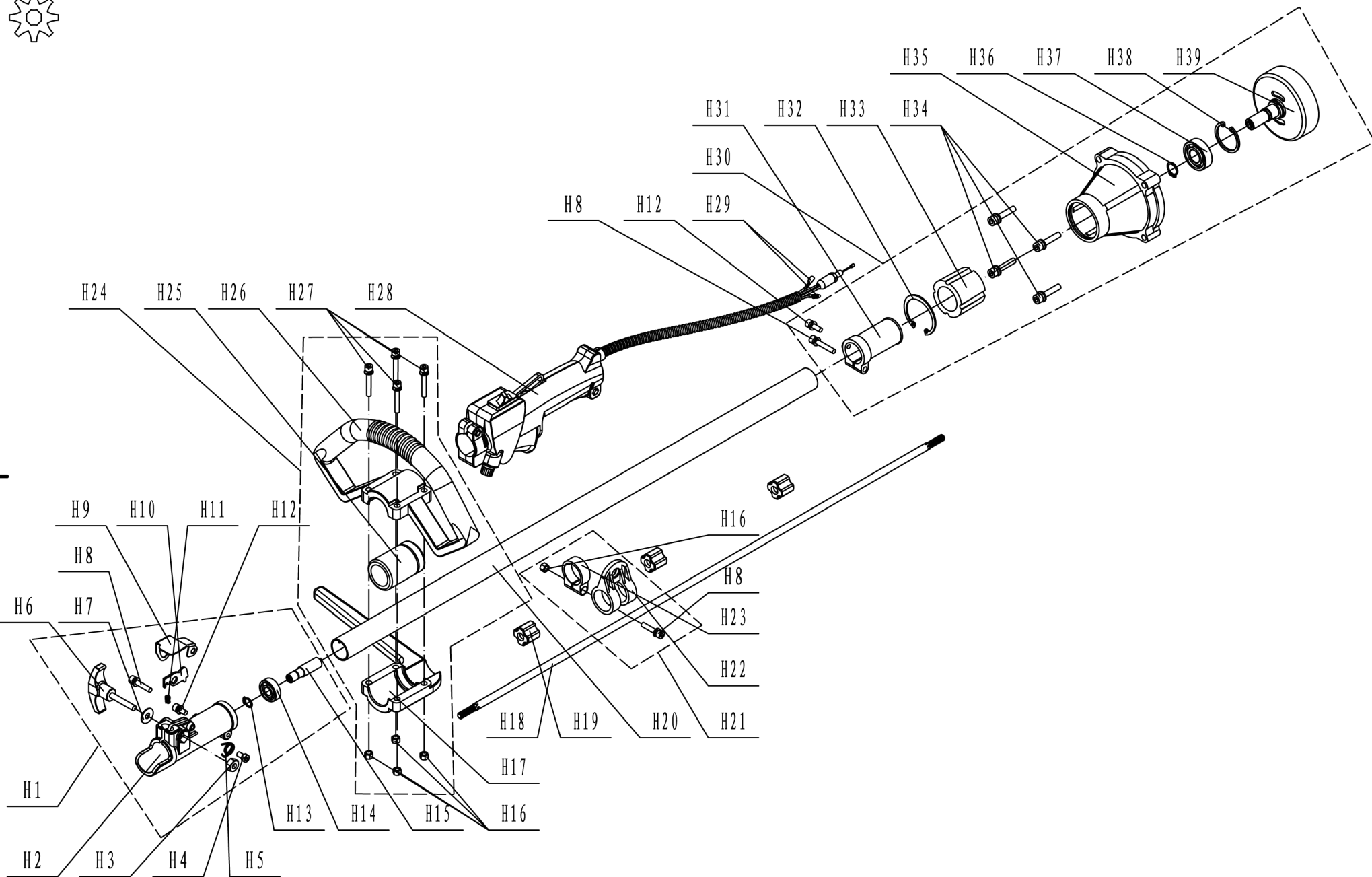
No.	ID.zboží	Název
J1	50BCM520J01	∅24 snap ring
J2	50BCM520J02	∅9 ring
J3	50BCM520J03	Bearing 609
J4	50BCM520J04	Gear
J5	50BCM520J05	Gear case
J6	50BCM520J06	M5x25 screw
J7	50BCM520J07	M5x12 screw
J8	50BCM520J08	Pin
J9	50BCM520J09	M6 Nut
J10	50BCM520J10	M6 washer
J11	50BCM520J11	M6 washer
J12	50BCM520J12	Seal ring
J13	50BCM520J13	Gear
J14	50BCM520J14	Washer
J15	50BCM520J15	Spacer gear
J16	50BCM520J16	M5x16 screw
J17	50BCM520J17	M5 Nut
J18	50BCM520J18	M5x20 screw
J19	50BCM520J19	Plate
J20	50BCM520J20	Blade cover
J21	50BCM520J21	M6 Screw
J22	50BCM520J22	Angel adjuster
J23	50BCM520J23	Lever
J24	50BCM520J24	Spring
J25	50BCM520J25	Gear case
J26	50BCM520J26	Rotating handle
J27	50BCM520J27	M5x18 screw
J28	50BCM520J28	Greese fitting
J29	50BCM520J29	Shaft, gear case
J30	50BCM520J30	∅28 snap ring
J31	50BCM520J31	∅12 ring
J32	50BCM520J32	6001 bearing
J33	50BCM520J33	Transmission gear
J34	50BCM520J34	Guide plate
J35	50BCM520J35	Crank shaft
J36	50BCM520J36	Gasket
J37	50BCM520J37	Washer
J38	50BCM520J38	Gear
J39	50BCM520J39	Transmission link
J40	50BCM520J40	Felt
J41	50BCM520J41	gasket, gear case
J42	50BCM520J42	protector
J43	50BCM520J43	Cover, gear case
J44	50BCM520J44	M4 Gasket
J45	50BCM520J45	M4x10 screw
J46	50BCM520J46	∅16x∅5.2x1.5 washer
J47	50BCM520J47	Blade
J48	50BCM520J48	Nut
J49	50BCM520J49	Working shaft
J50	50BCM520J50	Stopper
J51	50BCM520J51	Pipe
J52	50BCM520J52	Transmission shaft
J53	50BCM520J53	Oil bearing



No.	ID.zboží	Název
G1	50BCN520G01	M6 nut
G2	50BCN520G02	Bar cover
G3	50BCN520G03	M6x14 screw
G4	50BCN520G04	∅5 washer
G5	50BCN520G05	Sprocket
G6	50BCN520G06	Gasket, bearing
G7	50BCN520G07	Guide bar
G8	50BCN520G08	Chain
G9	50BCN520G09	Screw, tensioner
G10	50BCN520G10	∅3 ring
G11	50BCN520G11	Nut, tensioner
G12	50BCN520G12	Cover, Gear case
G13	50BCN520G13	M5x12 screw
G14	50BCN520G14	M6x35 screw
G15	50BCN520G15	6001 bearing
G16	50BCN520G16	M4x10 screw
G17	50BCN520G17	Gasket
G18	50BCN520G18	Gear shaft
G19	50BCN520G19	Oil pump
G20	50BCN520G20	Bearing 627
G21	50BCN520G21	Gear case
G22	50BCN520G22	M5x12 screw
G23	50BCN520G23	Oil pipe
G24	50BCN520G24	Valve
G25	50BCN520G25	Oil tank
G26	50BCN520G26	Hook, oil tank
G27	50BCN520G27	Gasket, oil tank
G28	50BCN520G28	Oil tank cap
G29	50BCN520G29	M5x25 screw
G30	50BCN520G30	∅24 snap ring
G31	50BCN520G31	∅9 ring
G32	50BCN520G32	Transmission gear
G33	50BCN520G33	Working shaft
G34	50BCN520G34	Pipe
G35	50BCN520G35	Transmission shaft
G36	50BCN520G36	Oil bearing
G37	50BCN520G37	Stopper



No.	ID. zboží	Název
I1	50BCM520I01	Nylon head
I2	50BCM520I02	Cover
I3	50BCM520I03	Cord holder
I4	50BCM520I04	Washer
I5	50BCM520I05	Spring
I6	50BCM520I06	Cord
I7	50BCM520I07	Bolt M10
I8	50BCM520I08	Buckle
I9	50BCM520I09	Case
I10	50BCM520I10	Gear case assy
I11	50BCM520I11	Nut
I12	50BCM520I12	Cover, blade
I13	50BCM520I13	Holder A
I14	50BCM520I14	3T blade
I15	50BCM520I15	Holder B
I16	50BCM520I16	Bolt M5*10
I17	50BCM520I17	Cover, gearcase
I18	50BCM520I18	Bearing
I19	50BCM520I19	Snap ring
I20	50BCM520I20	Spline shaft
I21	50BCM520I21	Driven gear
I22	50BCM520I22	Bearing
I23	50BCM520I23	Gear case
I24	50BCM520I24	Bolt M6x12
I25	50BCM520I25	Bolt M5x12
I26	50BCM520I26	Bolt M5x25
I27	50BCM520I27	Gear
I28	50BCM520I28	Snap ring
I29	50BCM520I29	Ring
I30	50BCM520I30	Shield assy
I31	50BCM520I31	Branket
I32	50BCM520I32	Screw ST4x8
I33	50BCM520I33	Blade
I34	50BCM520I34	Guard
I35	50BCM520I35	Shield
I36	50BCM520I36	Bolt M5
I37	50BCM520I37	Pipe
I38	50BCM520I38	Shaft
I39	50BCM520I39	Oil bearing
I40	50BCM520I40	Stopper



No.	ID zboží	Název
H1	50BCM520H01	Joint
H2	50BCM520H02	Joint Seat
H3	50BCM520H03	M6 Bolt
H4	50BCM520H04	M5x8 screw
H5	50BCM520H05	Spring
H6	50BCM520H06	Lock Screw
H7	50BCM520H07	Gasket
H8	50BCM520H08	M5x20 screw
H9	50BCM520H09	Plate
H10	50BCM520H10	Spacer screw
H11	50BCM520H11	Plate spring
H12	50BCM520H12	M5x12 screw
H13	50BCM520H13	∅10 ring
H14	50BCM520H14	Bearing 6000
H15	50BCM520H15	Shaft joint
H16	50BCM520H16	M5 Bolt
H17	50BCM520H17	Handle Seat
H18	50BCM520H18	Transmission shaft
H19	50BCM520H19	Oil bearing
H20	50BCM520H20	Pipe
H21	50BCM520H21	Hanger set
H22	50BCM520H22	Hanger
H23	50BCM520H23	Hanger ring
H24	50BCM520H24	Handle assy
H25	50BCM520H25	Handle grip
H26	50BCM520H26	Handle
H27	50BCM520H27	M5x35 screw
H28	50BCM520H28	Grip assy
H29	50BCM520H29	Throttle cable
H30	50BCM520H30	Housing assy
H31	50BCM520H31	Connect tube
H32	50BCM520H32	∅45 ring
H33	50BCM520H33	Cusion
H34	50BCM520H34	M6x30 screw
H35	50BCM520H35	Housing body
H36	50BCM520H36	∅15 ring
H37	50BCM520H37	6202-Z Bearing
H38	50BCM520H38	∅35 snap ring
H39	50BCM520H39	Driven disk