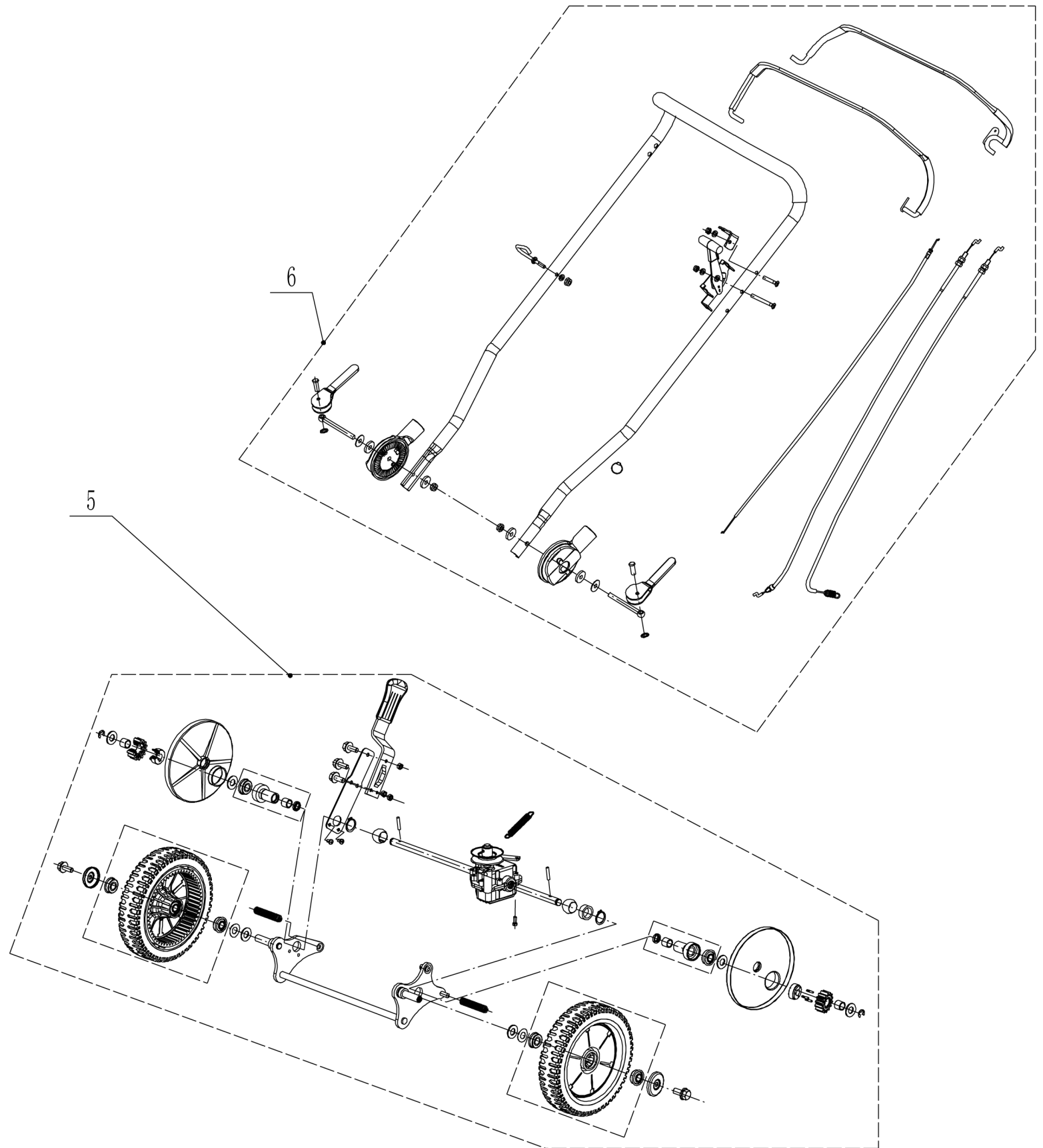
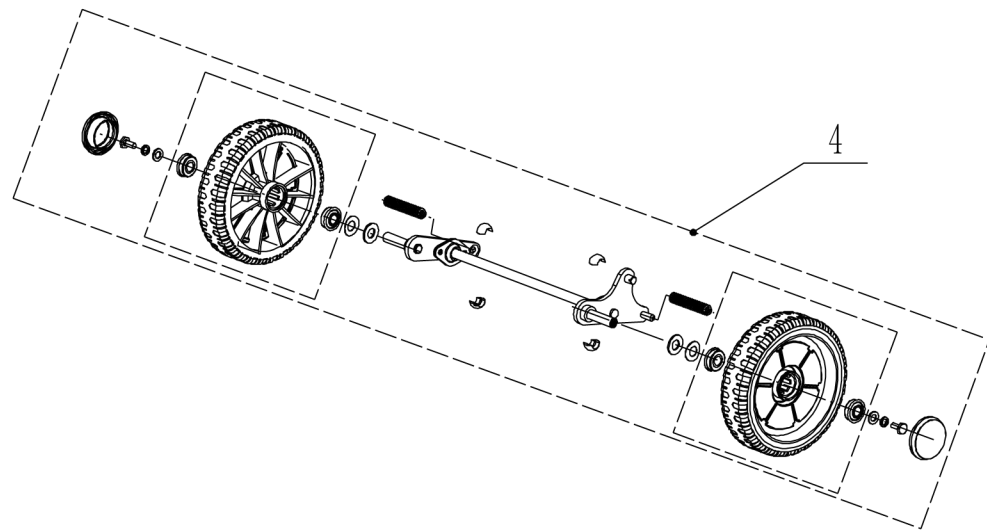
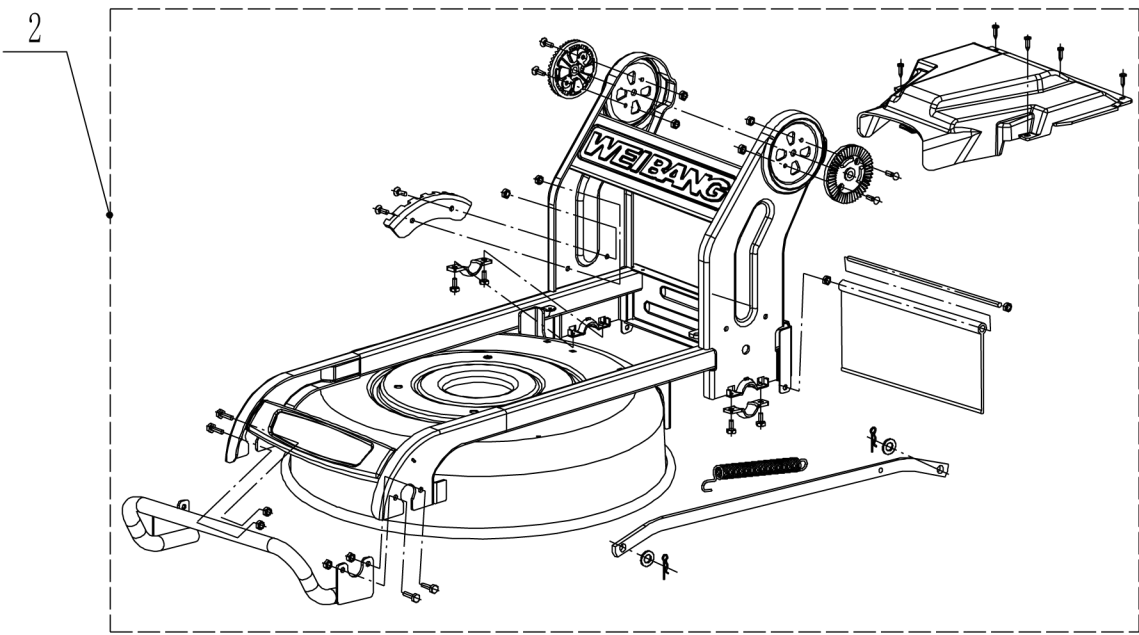
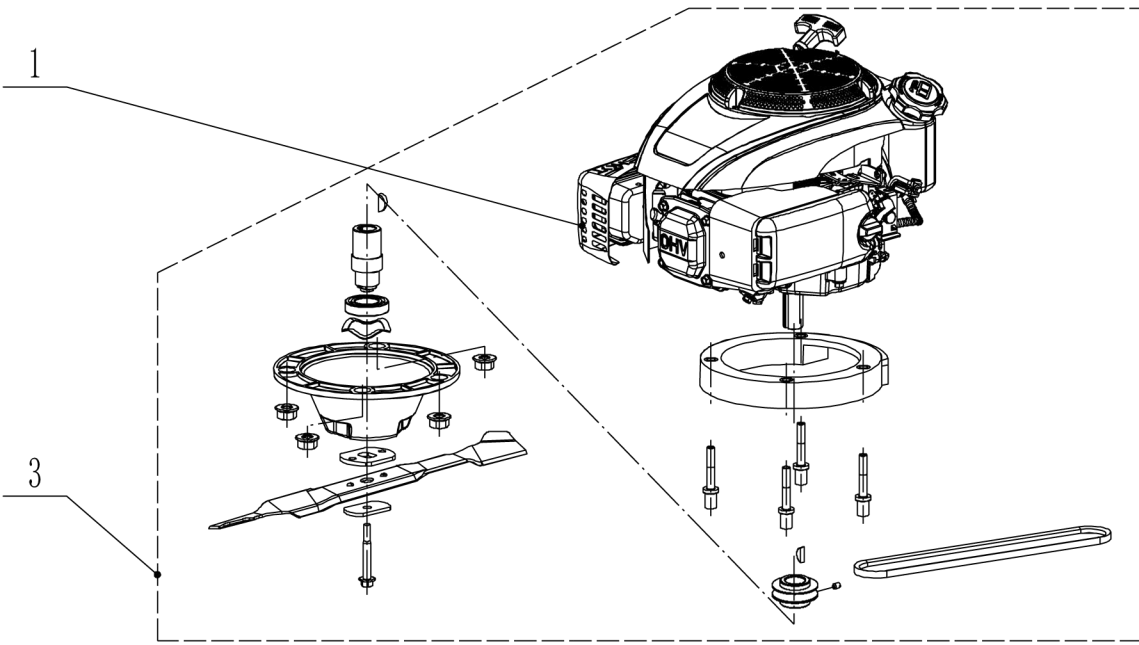


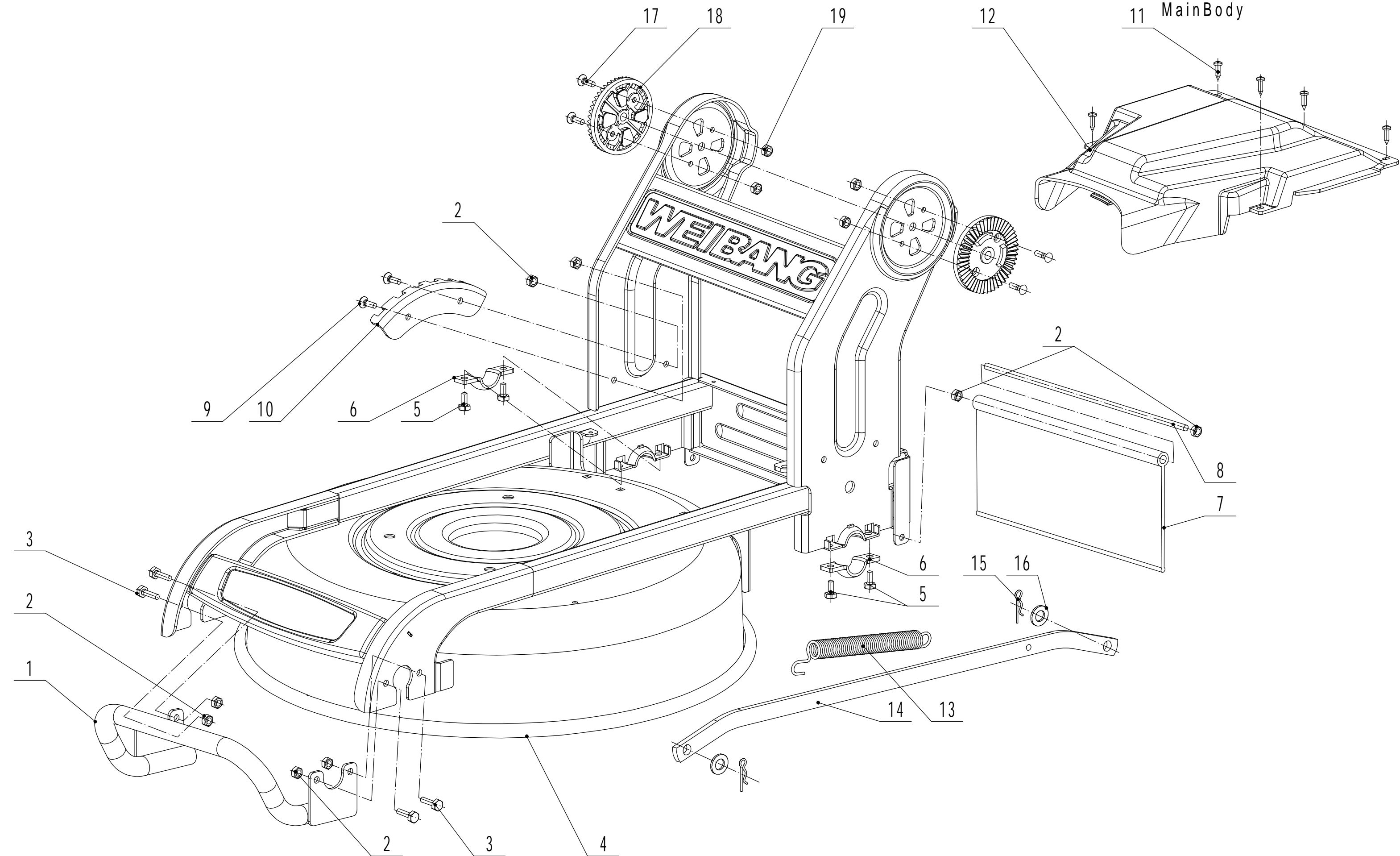
# WB 466 SCM



Model:V46SMP

ServiceCode:V46SMP1700

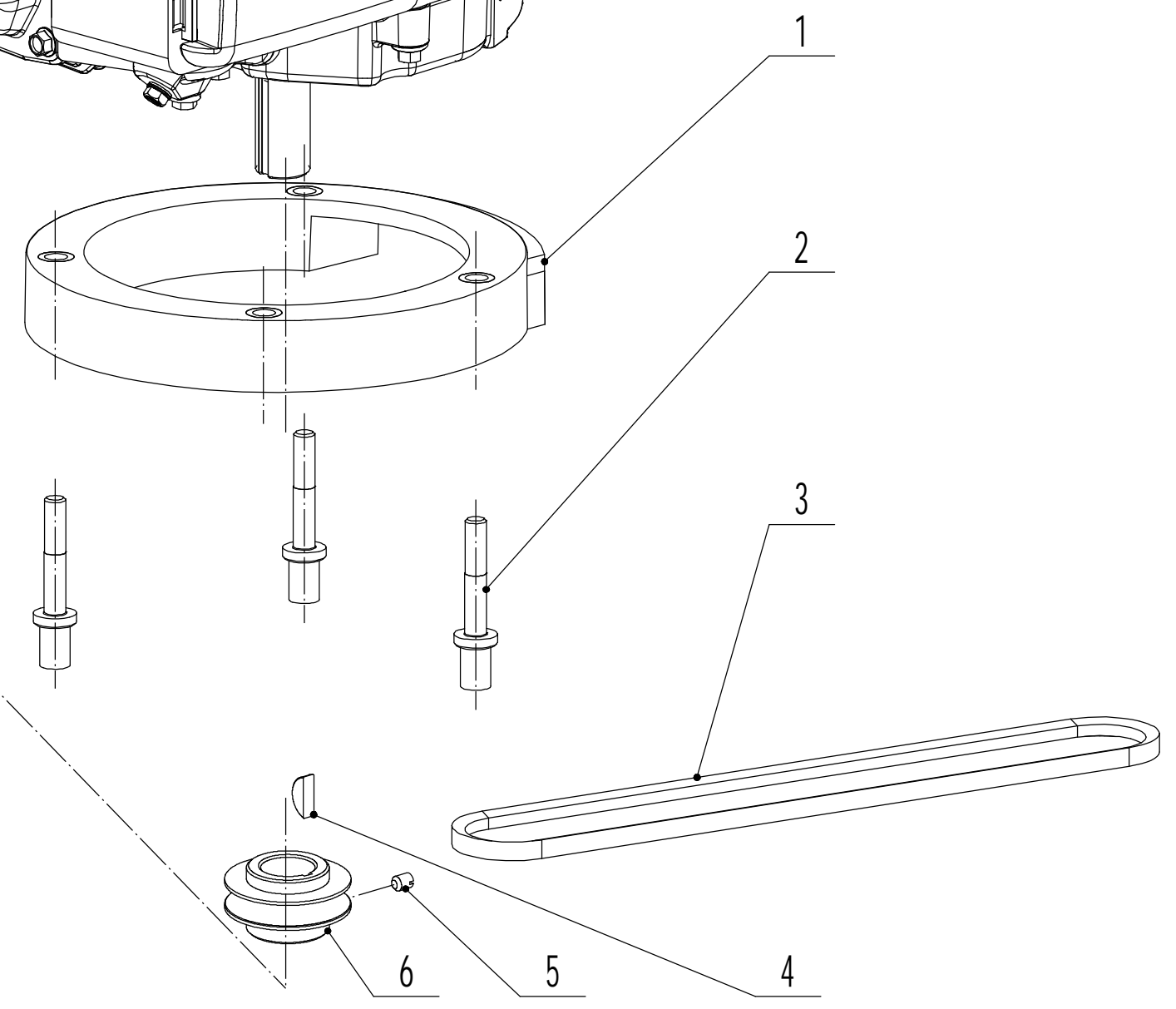
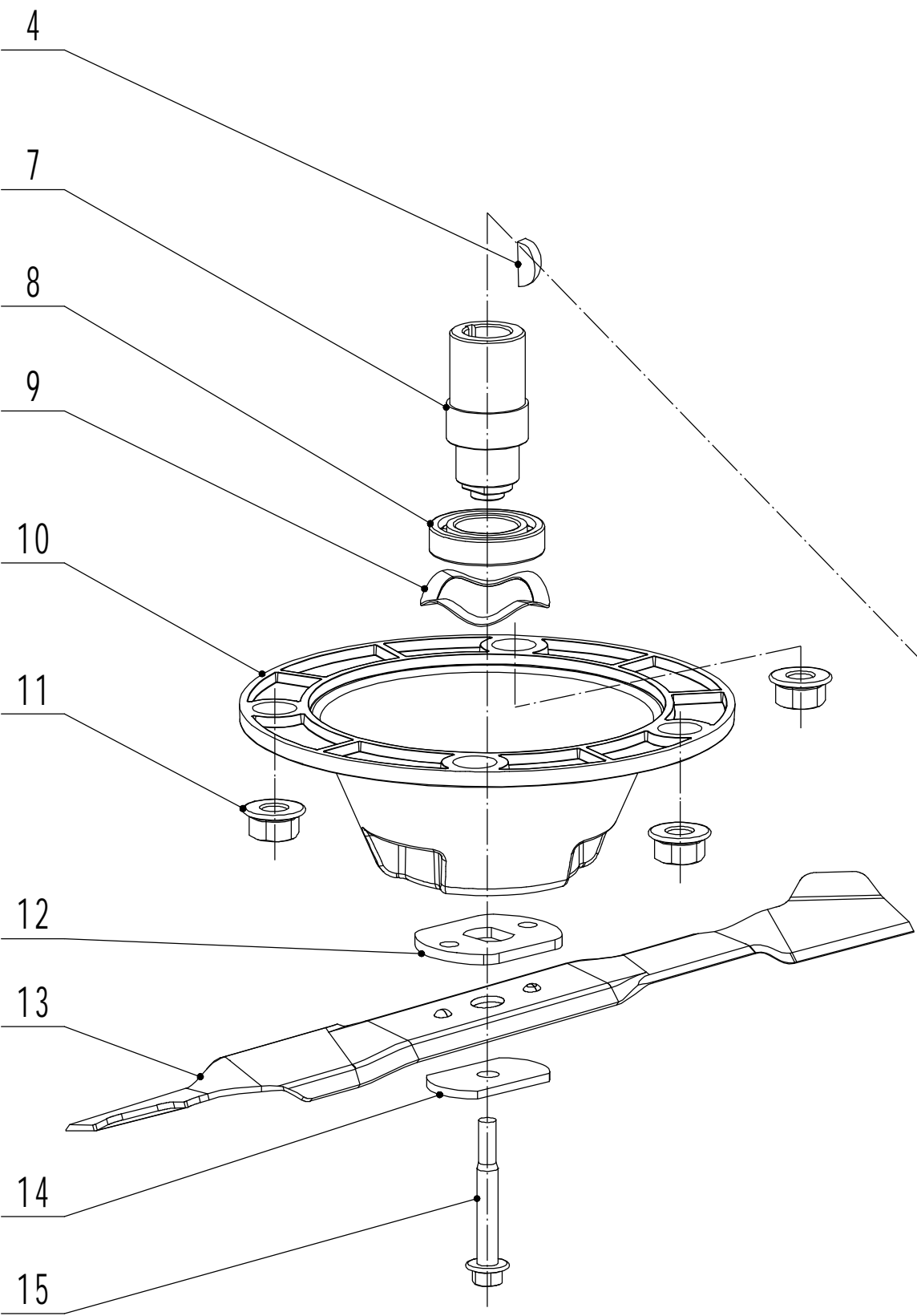
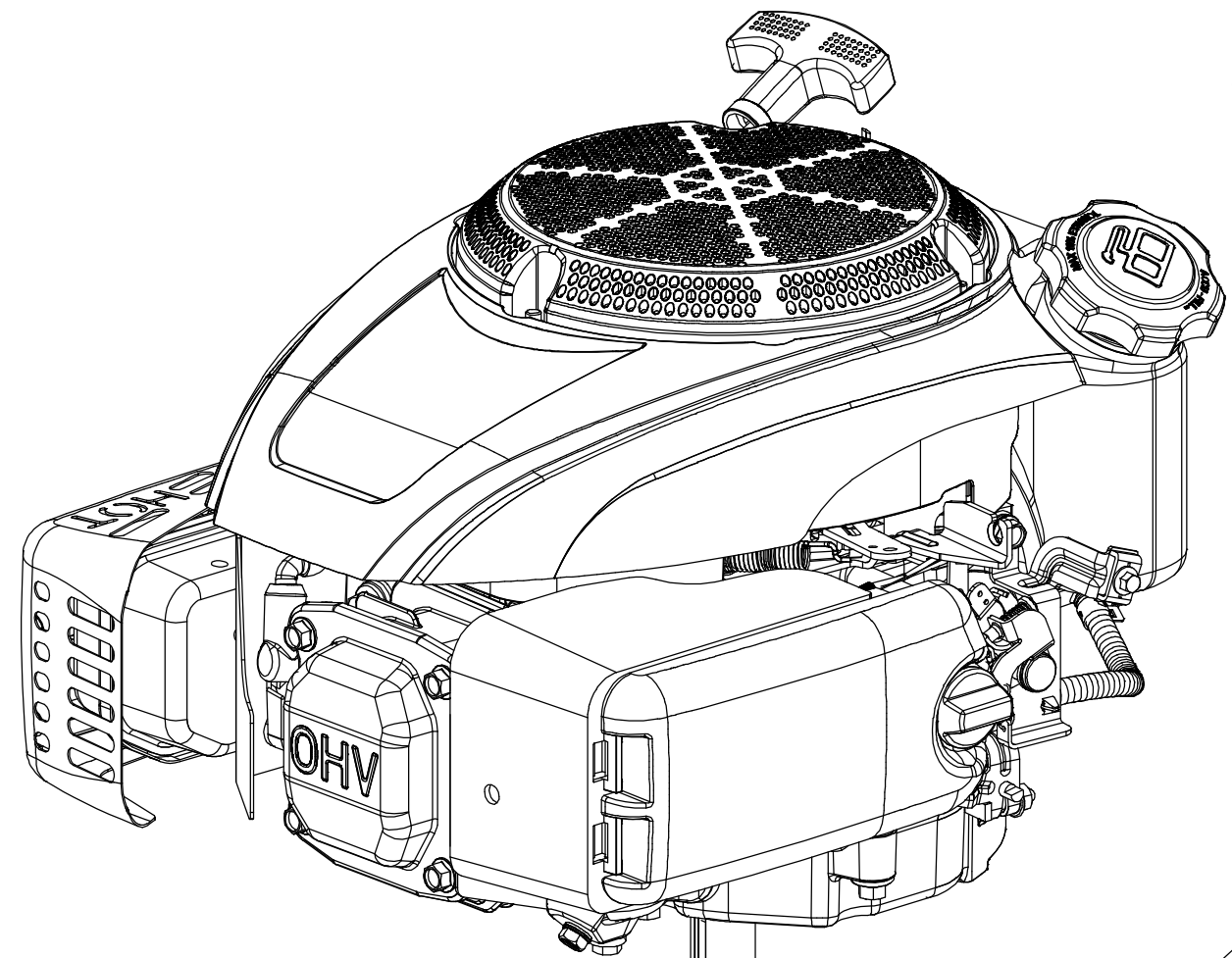
MainBody



## Part 2 - deck assembly

No.	ID Zboží	Název
1	GM46A040000000/44	bumper
2	0202006000	lock nut- M6
3	0102006018	bolt- M6×18
4	GM46A000000000/44	chassis
5	0102006012	bolt-M6×12
6	5320114020/01	Bearing Holder
7	GM46A0000000050	Trailing Flap
8	GM46A000000000/02	Rod - Trailing Flap
9	0104006016	screw-M6×16
10	GM46A000000020/01	graduator
11	0106004010	screw-ST4.2×10
12	GM46A0000000040	shield
13	GM46A000000070/01	spring
14	GM46A000000030/44	rod
15	5320333010	check ring
16	0301010000	Washer - M10
17	0104005012	screw- M5×12
18	AVSA000000040/22	teeth disc
19	0202005000	lock nut- M5

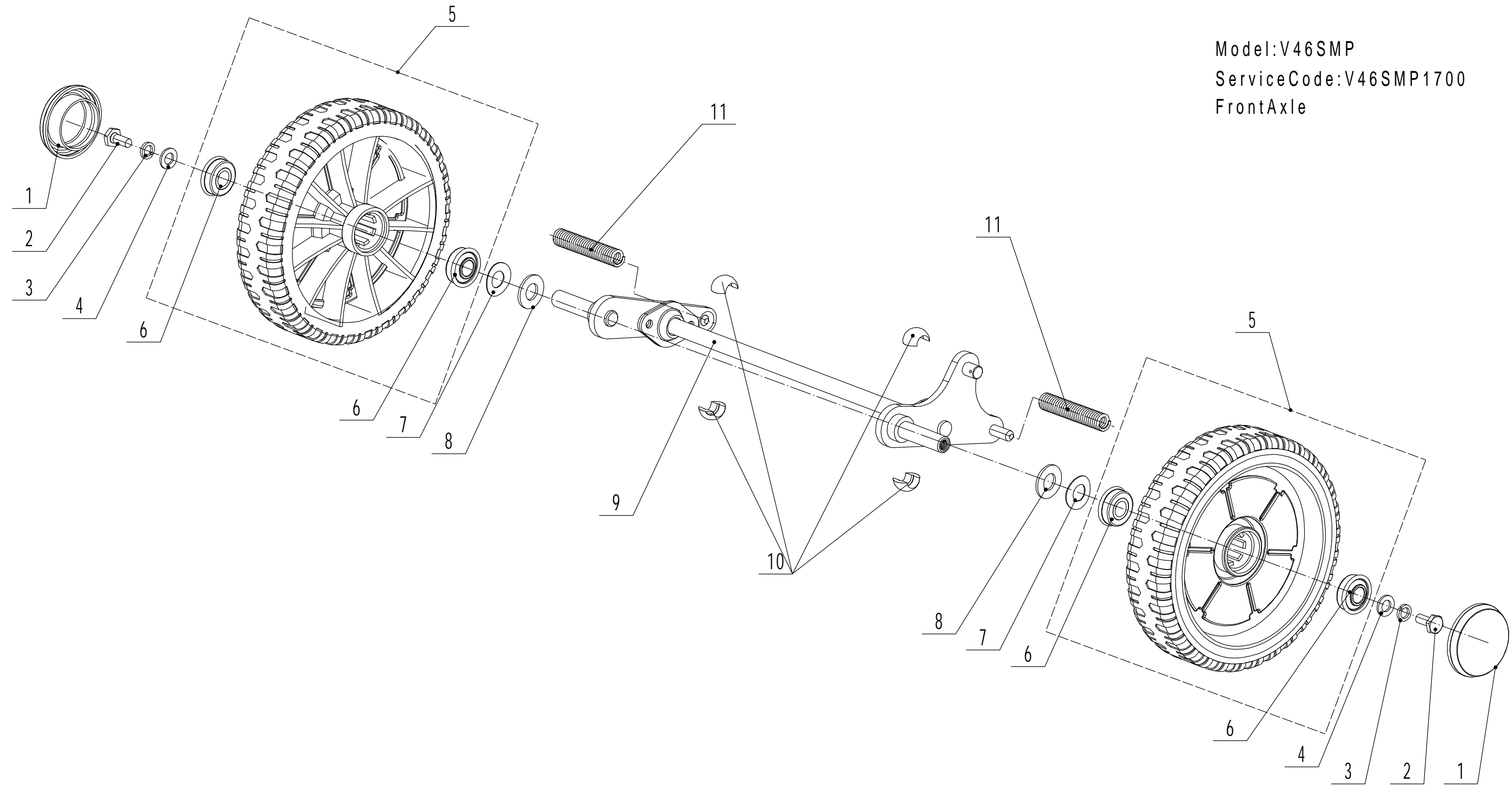
Model:V46SMP  
ServiceCode:V46SMP1700  
BladeSystem



## Part 3 - blade assembly

No.	ID Zboží	Název
1	GM53A050000000	engine base
2	GM53A000000070/02	bolt
3	5320120012	belt- V10×780
4	4510401010	key
5	0105006006	screw- M6×6
6	5020402070/02	Engine Pulley
7	GM53A000000050/02	adapter
8	6006/2RS	bearing
9	GM53A000000120	spring washer
10	GM53A000000010	bracket
11	0204014000	lock nut-M14
12	GM53A000000060/04	spacer
13	GM46A000000010/22	blade
14	4510407010/04	spring washer
15	XYJ-200011	Blade Bolt

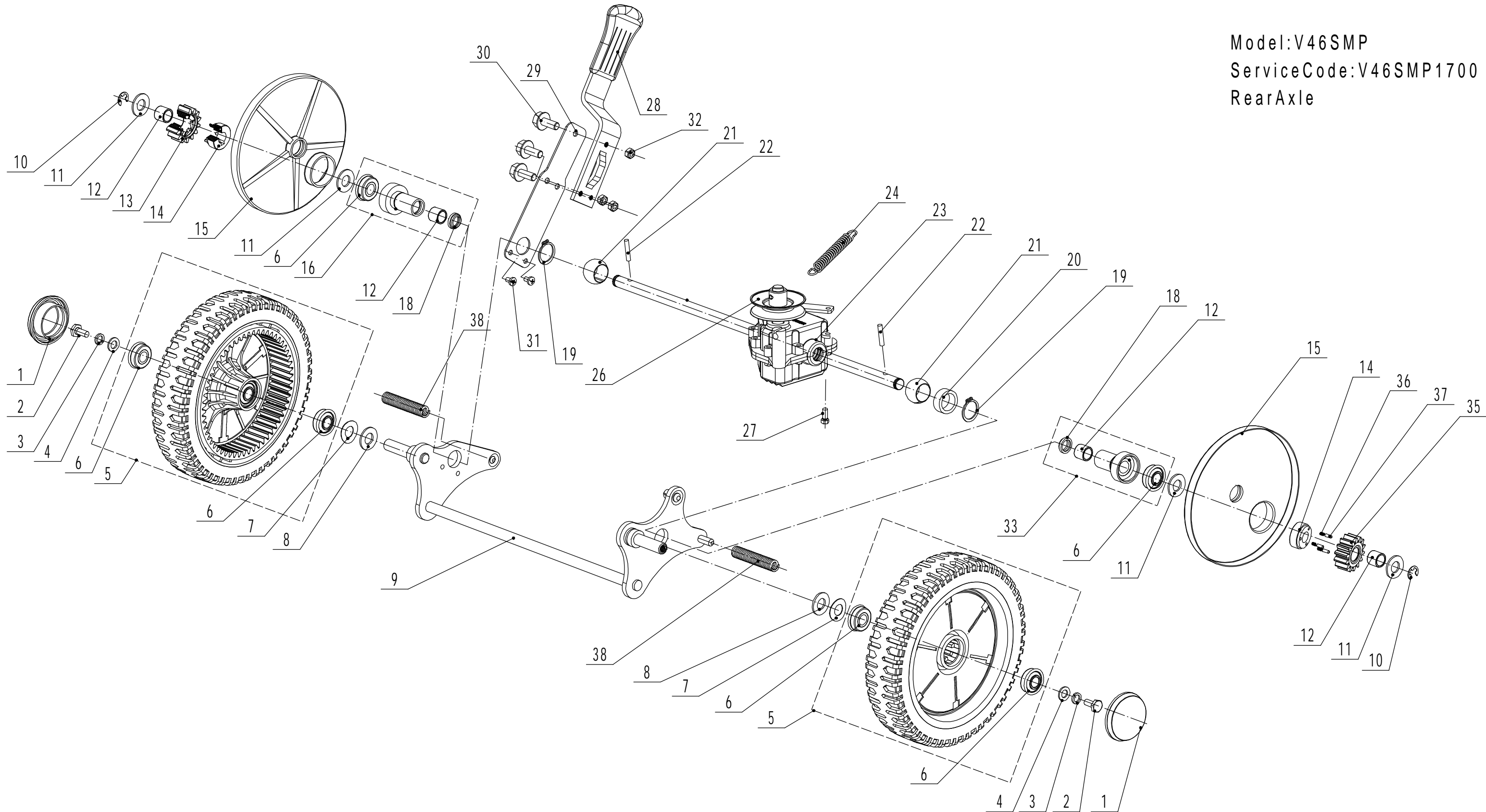
Model:V46SMP  
ServiceCode:V46SMP1700  
FrontAxle



## Part 4 - front axle assembly

No.	ID Zboží	Název
1	5310214010	Wheel Cap
2	0102008016	Bolt - M8X16
3	0401008000	Spring washer-M8
4	0301008000	Washer - M8
5	4510210010	wheel
6	5310213010	bearing
7	5310211010/02	spring washer
8	5310210010/02	spacer
9	GM46A020100000/01	front axle
10	5310209010	Axle Bearing - Half
11	GM53A020000010	scraper

Model:V46SMP  
ServiceCode:V46SMP1700  
RearAxle

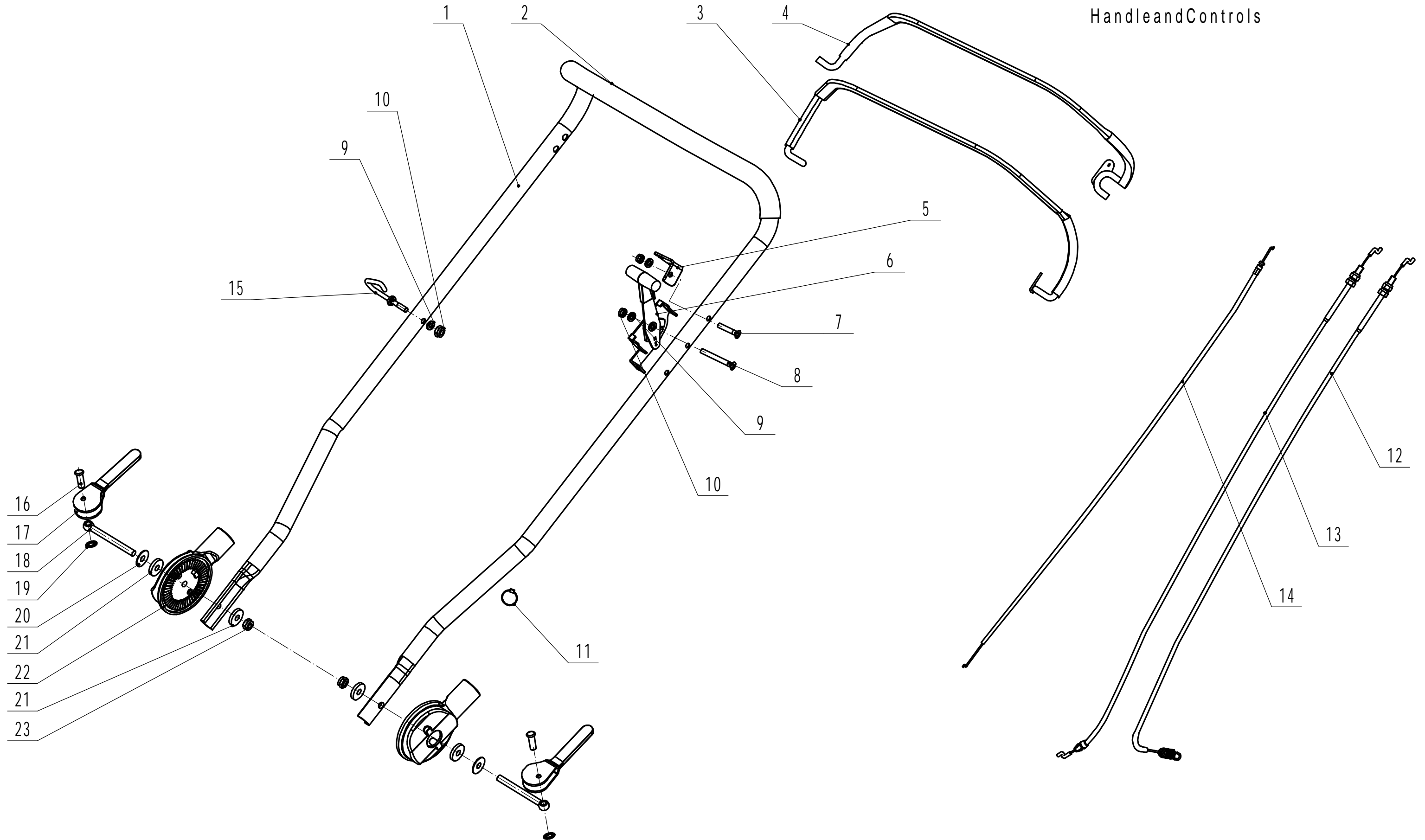




## Part 5 - rear axle assembl

No.	ID Zboží	Název
1	5310214010	Wheel Cap
2	0102008016	Bolt - M8X16
3	0401008000	spring washer-M8
4	0301008000	Washer - M8
5	4820305020	Rear Wheel - 9"
6	5310213010	bearing
7	5310211010/02	spring washer
8	5310210010/02	spacer
9	GM46A030100000/01	rear axle
10	1301009000	E-Clip - M9
11	5020311010/04	spacer
12	5320326010P	bearing
13	HQ000100020	Drive Pinion - R/H
14	HQ000100050	Block - Drive Pinion
15	4520308010	shield
16		right bearing sheath assembly
17		
18	5320327010	Dust Seal
19	1001020000	Circlip - M20
20	5020310010/02	spcer
21	5320328010	bearing
22	HQ000100060	Check holder
23	Y20466M	transmission assembly
24	4820317010	spring
25		
26	4540318010	pulley
27	0101006020	bolt-M6×20
28	5360310010	handle
29	5360311010/22	spring
30	0104006014	screw-M6×14
31	0104005008	screw- M5×8
32	0202006000	lock nut-M6
33		left bearing sheath assembly
34		
35	HQ000100010	Drive Pinion - L/H
36	HQ000100040	Spring - Drive Pinion
37	HQ000100030	Pin - Drive Pinion
38	GM53A020000010	scraper

Model:V46SMP  
ServiceCode:V46SMP1700  
HandleandControls



## Part 6 - handle bar assembly

No.	ID Zboží	Název
1	GM46A050000040/44	Upper Handle
2	GM56E010000080	Handle Grip
3	5020506030S/44	Clutch Lever
4	5020503020S/44	OPC Lever
5	GM46B050000010/01	bracket
6	GM46B050100000	bracket
7	0108006040	Screw - M6X40
8	0108006050	Screw - M6X50
9	0301006000	Washer - M6
10	0202006000	lock nut-M6
11	ZD3/190	Cable Tie - 3X190
12	LH186-1195	clutch cable
13	BS120-1140	brake cable
14	YM72-1115-A	throttle cable
15	4510511010/01	Hook - Starter Rope
16	0801008022	Pin - 8X22
17	GM56A100500000	Lever
18	GM48S000000100/02	bolt
19	4510114030	Grip Fix
20	GM56A100000040/04	spacer
21	GM56A100000050/01	spacer
22	GM48S030200000	Height Adjuster Segment
23	0201008000DD	Lock Nut - M8