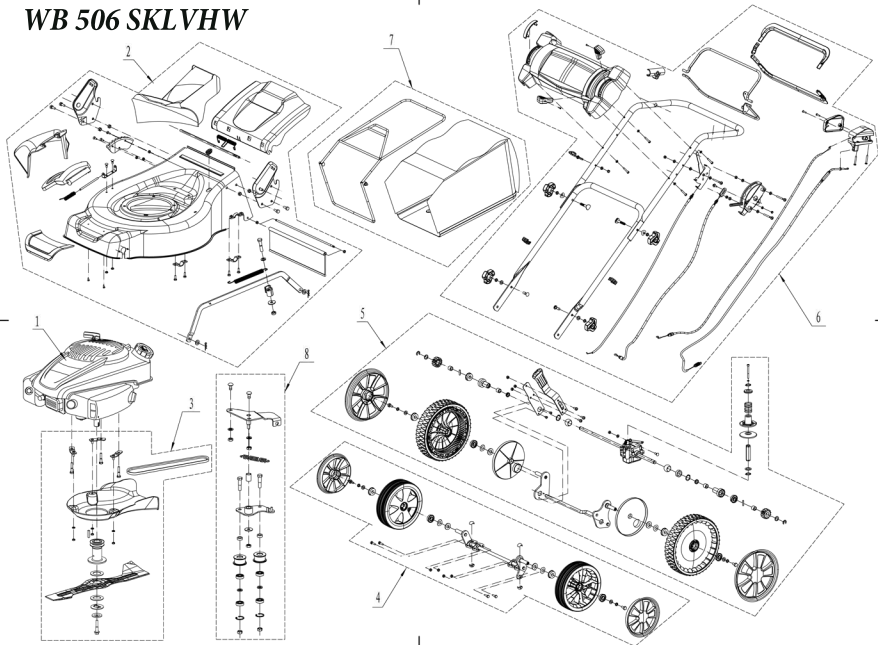
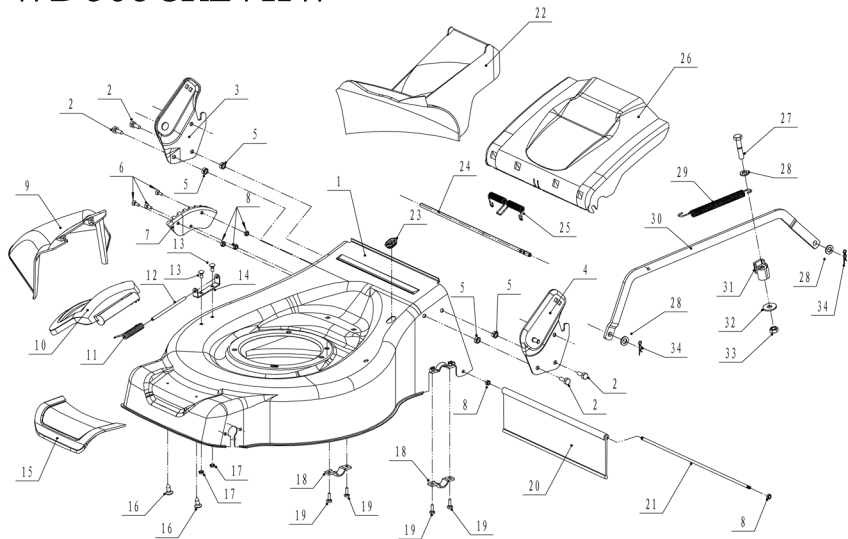


WB 506 SKLVHW



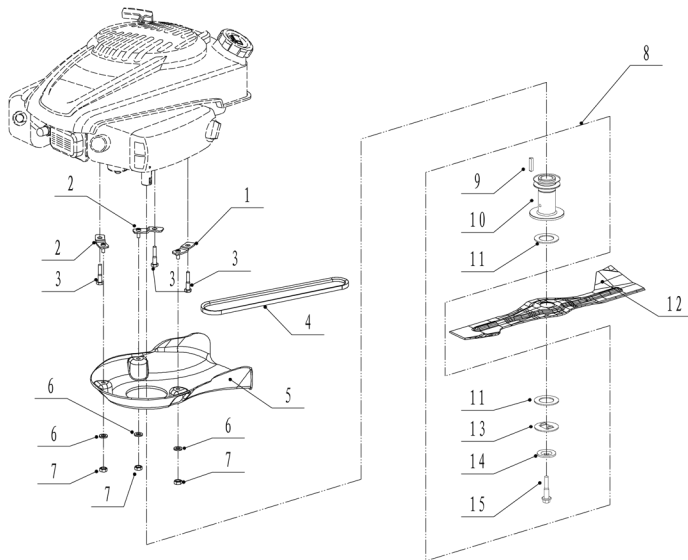
No.	Název
1	engine
2	deck assembly
3	blade component
4	front axle
5	rear axle
6	handlebar
7	grasscatcher
8	tension part

WB 506 SKLVHW



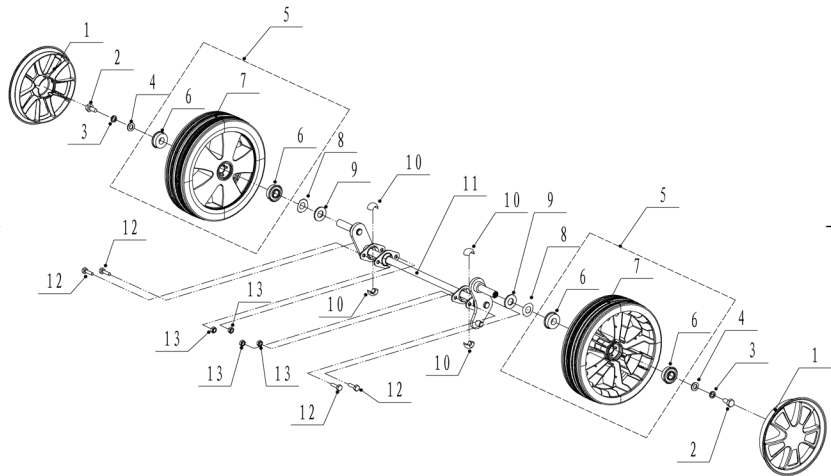
No.	ID Zboží	Název
1	5040101011/20	chassis
2	0102008016	hex flange bolt
3	4560112010/22	right bracket
4	4560111010/22	left bracket
5	0202008000	lock nut
6	0104006016	cross slot screw
7	5040111010/01	graduator
8	0202006000	lock nut
9	5040108010	side discharge deflector
10	5040107010	cover
11	5020119010	side discharge cover pivot
12	5020120010/02	side discharge cover spring
13	0107006014	square neck bolt
14	5020118010/02	side discharge cover bracket
15	5040103010	front mask
16	0106004013	cross slot ST screw
17	0204006000	lock nut
18	5320114020/01	upper bearing bracket
19	0102006012	hex flange bolt
20	4510111030	rear deflector
21	5020117010/02	rear pivot
22	5040104010	mulching plug
23	5360122010	rubber ring
24	5040106010/02	rear cover pivot
25	5360118010	rear cover spring
26	5040105010	rear cover
27	0101010050	bolt
28	0301010000	flat washer
29	5310316010/01	connecting rod spring
30	5040109011/20	connector rod
31	5310317010	
32	0302010000	big flat washer
33	0202010000	lock nut
34	5320333010	spring clip

WB 506 SKLVHW



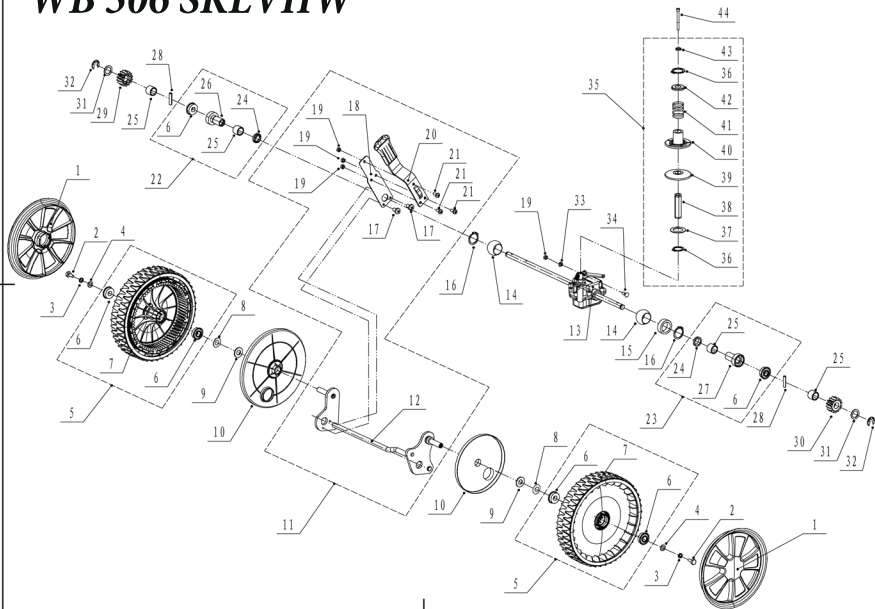
No.	ID Zboží	Název
1	5360111010/02	engine washer 1
2	5360112010/02	engine washer 2
3	5320115010	ST screw
4	5380113010S	V belt
5	5040102010	belt shield
6	0302006000	big flat washer
7	0202006000	lock nut
8		adapter sets
9	1101005030A	key
10	5040402020/02	adapter
11	5310402010	friction washer
12	5020405010A/22	blade
13	5310404010/02	lock ring
14	5310406010/04	spring washer
15	5320405020	central bolt
16		

WB 506 SKLVHW



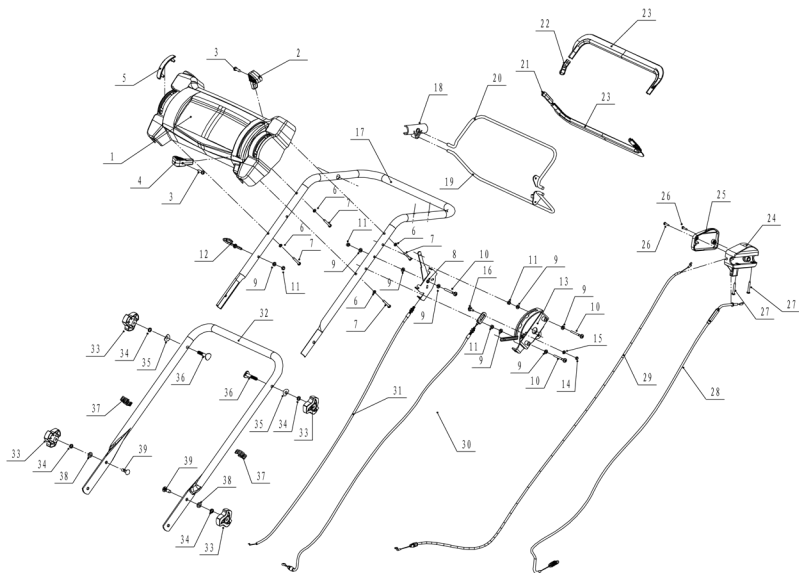
No.	ID Zboží	Název
1	5040203030	wheel cover
2	0101008015	bolt
3	0401008000	spring washer
4	0301008000	flat washer
5	5040202010	equalizing spring
6	5310213010	bearing
7		
8	5310211010/04	wheel axis spacer
9	5310210010/02	ball bearing
10	5310209010	front axle welding
11	5040201010/01	
12	0102006012	hex flange bolt
13	0202006000	lock nut

WB 506 SKLVHW



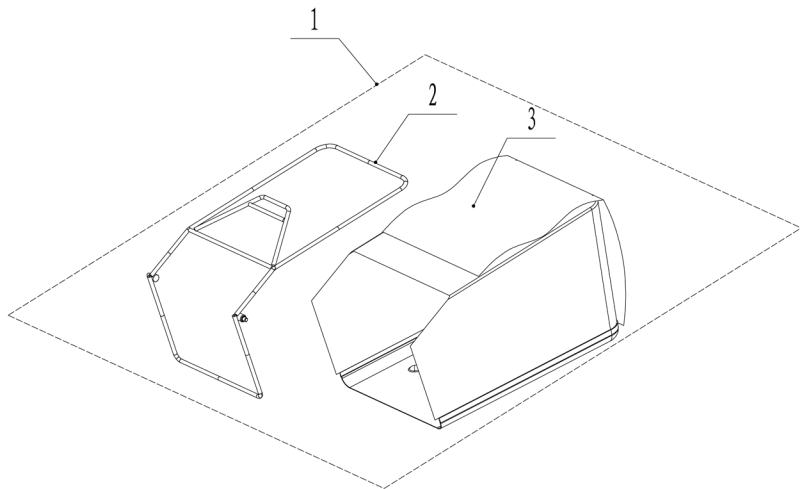
No.	ID Zboží	Název
1	5040304010	wheel hub cover
2	0101008015	bolt
3	0401008000	spring washer
4	0301006000	flat washer
5	5040303010	hollow driving wheel assembly
6	5310213010	bearing
7		
8	5310211010/04	equalizing spring
9	5310210010/02	wheel axis spacer
10	5040305010	anti-dust cover
11		
12	5040301012/01	rear shaft weldment
13	Y20504V0	gearbox assembly
14	5320328010	nylon spherical surface bearing
15	5040117010/02	rear transmission spacer
16	1001020000	check ring for shaft
17	0104005008	cross slot screw
18	5360311010/22	spring of adjustment lever
19	0202006000	lock nut
20	5360310010/80	adjustment lever
21	0104006014	cross slot screw
22	Y065321	left bearing sheath assembly
23	Y065320	right bearing sheath assembly
24	5320327010	dustproof ring
25	5320326010	bearing
26	5320325020/02	right bearing sheath
27	5320324020/02	left bearing sheath
28	5320322010	slide pin
29	5320321010	right pinion
30	5320320010	left pinion
31	5020311010	washer
32	1301009000	check ring
33	0301006000	flat washer
34	0107006014	square neck bolt
35	Y115380	transmission assembly
36	1001017000	check ring for shaft
37	4820320010/02	inner hex hole washer
38	4820321010/02	hex adapter
39	5380309010	lower pulley disc
40	5380308010	active pulley disc
41	4820324010	spring
42	4820325010/02	spring cap
43	0401005000	spring washer
44	0103005055	inner hex bolt

WB 506 SKLVHW



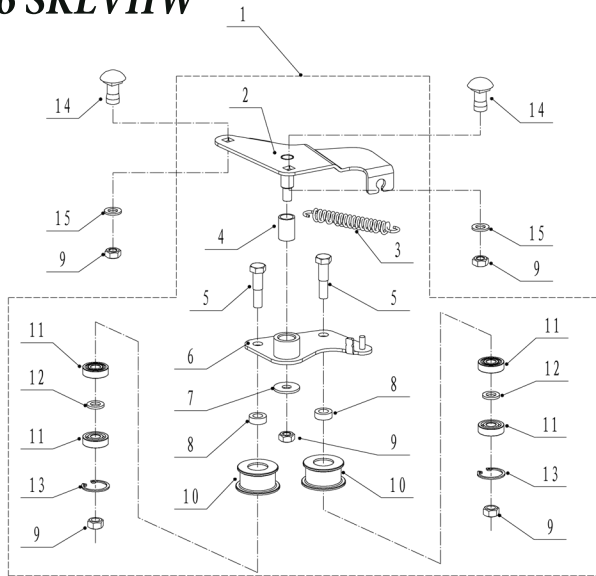
No.	ID Zboží	Název
1	4860505010	console
2	5380510010/80	throttle handle head
3	0106003013	cross slot ST screw
4	5380508010/80	speed adjustment cable bolt
5	5380507010	cover of console
6	0302005000	big flat washer
7	0106005035	cross slot ST screw
8	5380512010	throttle controler frame
9	0301006000	flat washer
10	0104006050	cross slot screw
11	0202006000	lock nut
12	4510511010/01	start rope hook
13	5360505010	speed adjustment frame
14	0202005000	lock nut
15	0301005000	flat washer
16	5360506011	speed adjustment handle head
17	4860502010/22	upper handle
18	4820511010	hinge bracket
19	4860504010/22	clutch lever
20	4860503010/22	brake lever
21	4820510010	clutch lever elbow cover
22	4820505010	brake lever elbow cover
23	4860506010/80	control lever cover
24	4820515010	control lever cable box
25	4820516010	control lever cable box cover
26	0106004016	cross slot ST screw
27	0106005038	cross slot ST screw
28	4820537010/A	clutch cable
29	5360512040	brake cable
30	5360506010	speed adjustment cable
31	5360510050	throttle cable
32	5040501010/22	lower handle
33	4820541010/80	lock knob
34	0401008000	spring washer
35	4510510010/01	arc washer
36	5310510010/01	connecting bolt
37	5320517010	cable clip
38	0301008000	flat washer
39	4510513010/01	square neck bolt

WB 506 SKLVHW



No.	ID Zboží	Název
1	5040601010	
2	5040602010/22	grass catcher frame
3	5040603010	grass bag

WB 506 SKLVHW



No.	ID Zboží	Název
1	Y095040	
2	5040114010/02	tensional arm bracket
3	4520114010	spring
4	4820112010	nylon bush
5	5340131010/02	tensional pulley bolt
6	5040115010/02	tensional arm weldment
7	0302008000	big flat washer
8	5340129010	spacer1
9	0202008000	lock nut
10	5340128010	tensional pulley
11	609/2RS	bearing
12	5340130010/02	spacer2
13	1001024000	check ring for shaft
14	0107008020	square neck bolt
15	0301008000	flat washer